

Molteni & C

TWELVE A.M. COLLECTION — NERI&HU 2019

1—
4



Typically oriental, the bed is simple and essential, featuring wood as the main material, teamed with metal and soft textiles or leather. The headboard is tall and inviting, almost embracing the bed itself. The inside of the headboard is lined with soft textiles or monochrome leather and in the centre it supports a comfortable cushion, which acts as a headrest. The cushion is hooked to the headboard by means of different colours hide leather two straps. At the side of the headboard there are two small circular wooden trays that act as bedside shelves. At the back, if the bed is positioned in the centre of the room, Twelve A.M. can be fitted with a small projecting shelf. The bed's wooden frame rests on four slim metal legs, which, in turn, support a concave leather or textile container that can accommodate all types of mattresses. A comfortable bench, echoing the design of the bed, the cushion of which is held by leather straps like the bed, can be placed at the foot of the bed. Thanks to Neri&Hu's inventiveness, the bench can also be turned into a new accessory for a dream bedroom: a small alcove in which the residents can change their clothes or fashion items, hanging or placing them temporarily.

In case of customer slatted base and/or mattress, check the correspondence of the measurements with the standard ones in the price list.



This symbol shows that the product has removable upholstery. Only qualified personnel can remove the upholstery of some of our products. If this information is pertinent, it will be included in the warnings section.



This symbol shows that the product is available on request in a fire resistant version that complies with the standards BS 5852 and TB 117-2013. The buyer is responsible for checking to make sure that the product is suitable and compliant with the requirements for the designated use and the current applicable laws and standards for the destination and use of the product.

DATASHEET

REGISTERED
DESIGN

IX.2021

moltenigroup.com

Dimensions in centimeters and inches. The right to discontinue and make changes is reserved. This information is based on the latest product information available at the time of printing.

FINISHES

NOTES

fabric and leather covers are difficult to remove.

FINISHES OF FEET AND METAL ELEMENTS
pewter colour

FINISHES OF WOODEN PARTS
eucalyptus

FINISHES OF BONDED HIDE LEATHER ELEMENTS

ivory
black
dark brown
natural
mud green
dove grey

TECHNICAL INFORMATION

PADDED HEADBOARD

Plywood structure with variable density polyurethane foam padding. Cover in bonded velveteen.

PADDED BED SURROUND

Plywood structure with variable density polyurethane foam padding. Cover in bonded velveteen.

HEADBOARD, BED SURROUND AND WOODEN PANELS (BED - FOYER - BENCH)

Plywood panel covered with Eucalyptus wood veneer (Eucalyptus globulus).

CUSHIONS (BED - FOYER - BENCH)

Polyurethane with high bearing capacity covered with bonded velveteen: regenerated hide leather securing straps in Molteni range hues.

BED FEET

Painted aluminium fusions with non-slip plastic floor slides.

BENCH BASE AND FOYER

Painted aluminium fusions with non-slip plastic feet. Floor slides in non-slip plastic.

REMOVABLE OUTER COVER

(See enclosed label, specific for the cover in question).

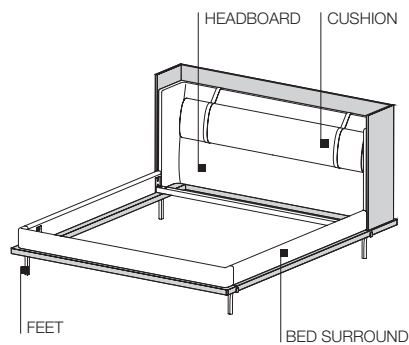
BED BASE SPACER

Plastic.

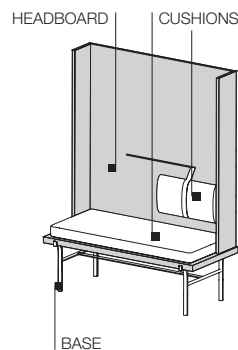


AVAILABLE IN FIRE-RESISTANT
VERSION TB117 AND BS5852

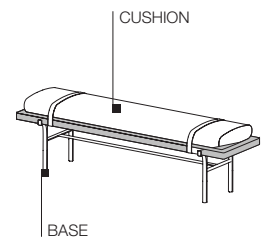
BED



FOYER



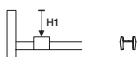
BENCH



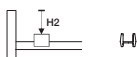
WITHOUT SPACER



WITH SPACER (1)



WITH SPACER (2)



MATTRESS-BASE SPACER

Mattress-base height adjustment

without spacer H 10,5
with spacer (1) H1 8,5
with spacer (2) H2 6,5

DATASHEET

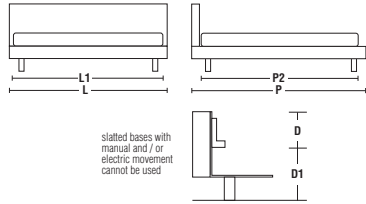
REGISTERED
DESIGN

IX.2021

DIMENSIONS

Notes

- ▶ Depth of 210 cm (82 3/4") (inner measurement) is also available on TLO17 - TLO18.
- ▶ Slatted bases with manual and / or electric movement cannot be used.

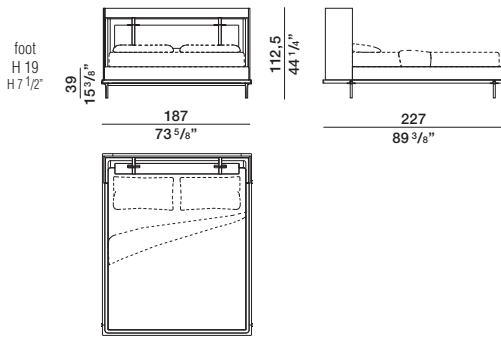


	INNER DIMENSIONS		OUTER DIMENSIONS		D / D1 Space for insertion of the slatted base
	L1 Width	P2 Length	L Width	P Length	
TLO17	170 66 7/8"	200 78 3/4" standard model *	187 73 5/8"	227 89 3/8" standard model *	6,5 / 32,5 2 1/2" / 12 3/4"
TLO18	180 70 7/8"	200 78 3/4" standard model *	197 77 1/2"	227 89 3/8" standard model *	8,5 / 30,5 3 3/8" / 12"
TLOQS	155 61"	205 80 3/4"	171 67 3/8"	232 91 3/8"	10,5 / 28,5 4 1/8" / 11 1/4"
TLOKS	195 76 3/4"	205 80 3/4"	211 83"	232 91 3/8"	
		* 210 on request 82 3/4"		* 237 on request 93 1/4"	

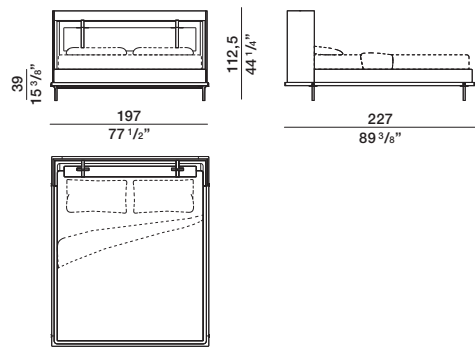
3—
4

**bed taking a single
slatted base or
2 individual slatted bases**

TLO17

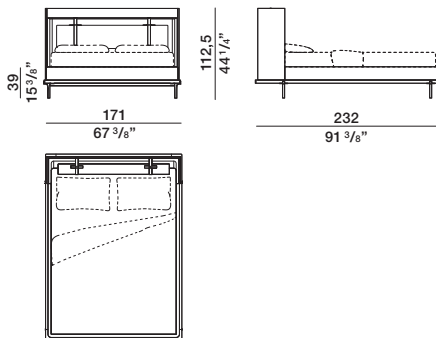


TLO18

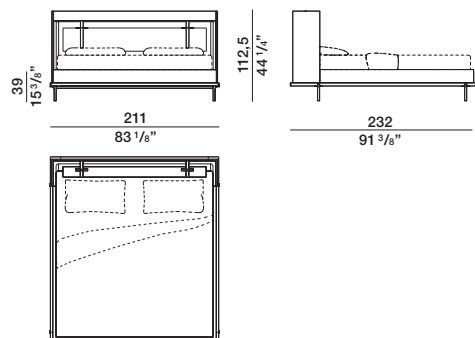


**bed taking a single
slatted base or
2 individual slatted bases**

TLOQS



TLOKS



DATASHEET

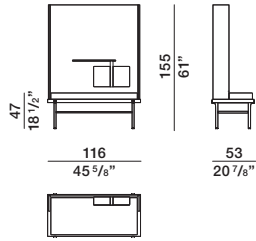
REGISTERED
DESIGN

IX.2021

DIMENSIONS

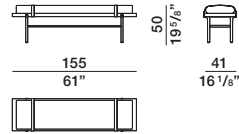
Foyer

TFO1



Bench

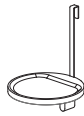
TPA1



accessories

night table

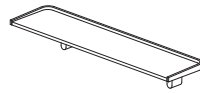
W 30 D 32,5 H 39
W 11 3/4" D 12 3/4" H 15 3/8"



TCO1

shelf

W 85 D 20 tot H 12
W 33 1/2" D 7 7/8" tot H 4 3/4"



TME1

clothes hanger

W 2 D 5 H 23
W 3/4" D 2" H 9"



TPO1

DATASHEET

REGISTERED
DESIGN

IX.2021