

selene

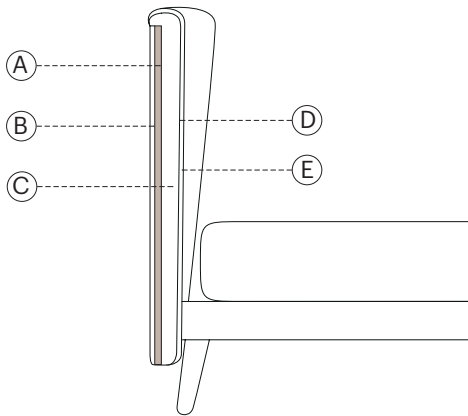
design bolzan LAB



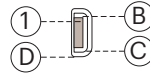
Piacevole rilettura dei grandi classici dell'arredo notte, Selene sa essere sofisticato e accogliente al tempo stesso. L'ampia testata imbottita con cuciture capitonnè, realizzate artigianalmente, è una citazione di antiche atmosfere che ritornano in voga. La scelta fra diversi piedini può accentuare la classicità dell'insieme, oppure inserire un elemento di contemporaneità.

Pleasant reinterpretation of the great classics of night furniture, Selene knows how to be sophisticated and welcoming at the same time. The large padded headboard with tufted seams, handcrafted, is a citation of ancient atmospheres that become again in vogue. The choice between different feet can accentuate the classicism of the whole, or insert an element of contemporaneity.

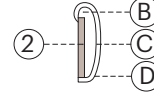
informazioni tecniche / technical info:



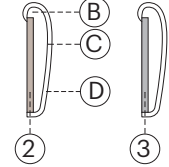
h 9



h 20



h 29



testata / headboard

- A. multistrato pioppo 20mm / 20mm poplar multilayer
- B. espanso ignifugo D 25 kg/mc / fire resistant foam D 25 kg/mc
- C. espanso ignifugo D 30 kg/mc / fire retardant foam D 30 kg/mc
- D. resinato poliesteri ignifugo 200g / 200g fire resistant resin polyester fibre
- E. maglia polipropilene 70g / 70g polypropylene mesh

giroletti / bedframes

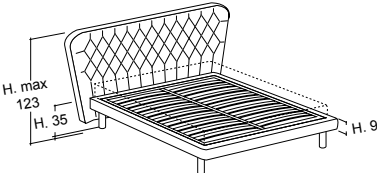
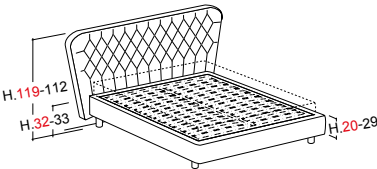
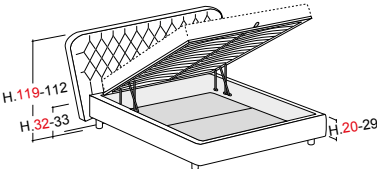
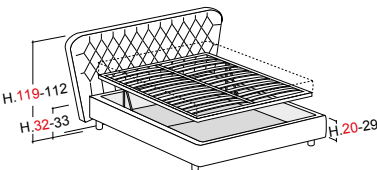
- 1. MDF 40mm / 40mm MDF
- B. espanso ignifugo D 35 kg/mc / fire resistant foam D 35 kg/mc
- C. resinato poliesteri ignifugo 100g / 100g fire resistant resined polyester fiber
- D. maglia polipropilene 70g / 70g polypropylene mesh
- 2. listellare abete 22mm 3 strati / 22mm 3-layer fir blockboard
- 3. estruso in alluminio 22mm / 22 mm extruded aluminum

predisposto per materassi / for mattresses:

100 x 200	39 ³ / ₈ "	x	78 ⁶ / ₈ "	
120 x 200	47 ² / ₈ "	x	78 ⁶ / ₈ "	
140 x 200	55 ¹ / ₈ "	x	78 ⁶ / ₈ "	
160 x 200	63"	x	78 ⁶ / ₈ "	
170 x 200	66 ⁷ / ₈ "	x	78 ⁶ / ₈ "	
180 x 200	70 ⁷ / ₈ "	x	78 ⁶ / ₈ "	
137 x 190	54"	x	75"	F ull double size
153 x 203	60"	x	80"	Q ueen size
193 x 203	76"	x	80"	K ing size

Selene / Firwood structure

Standard feet Vasetto - non removable headboard cover

	Mattress	Ext. dimension	Code	D	C	A	Plus	Luxury fabric	Luxury leather	Nuvola fabric	Nuvola leather	TCL	Cover		kg
													ml	mc	
thin base h.9 orthopaedic slatted base included carrying slat 	100x200	146x216	SEC9										8	0.55	60
	120x200	166x216	SED9										8.5	0.62	69
	135x190	181x206	SEI9										8.9	0.68	76
	137x190 DOUBLE 54X75	181x206	SEE9										8.9	0.68	76
	140x200	186x216	SEU9										9	0.69	77
	150x200	196x216	SEL9										9.4	0.74	83
	153x203 QUEEN 60X80	196x216	SEQ9										9.4	0.74	83
	160x200	206x216	SEM9										9.5	0.76	86
	170x200	216x216	SEF9										10	0.79	89
	180x200	226x216	SEG9										10.5	0.83	94
	190x200	236x216	SEP9										11.5	0.89	101
	193x203 KING 76X80	239x216	SEK9										11.5	0.89	101
	Loose cover		R29												
rounded base h.20 - rounded base h.29 without slatted base (to choose a slatted base see flap on the right) 	100x200	146x220	SEC29										8	0.54	57
	120x200	166x220	SED29										8.5	0.58	64
	135x190	181x210	SEI29										8.9	0.62	69
	137x190 DOUBLE 54X75	181x210	SEE29										8.9	0.62	69
	140x200	186x220	SEU29										9	0.63	70
	150x200	196x220	SEL29										9.3	0.66	72
	153x203 QUEEN 60X80	199x223	SEQ29										9.3	0.66	72
	160x200	206x220	SEM29										9.5	0.67	73
	170x200	216x220	SEF29										10	0.7	78
	180x200	226x220	SEG29										10.5	0.72	82
	190x200	236x220	SEP29										11.5	0.75	88
	193x203 KING 76X80	239x223	SEK29										11.5	0.75	88
	Loose cover		R29										0.02		5
rounded base h.20 - rounded base h.29 w/BOX orthopaedic slatted base included suggested weights for mattresses (see flap on the right) 	100x200	146x220	SEC29B										8	0.69	103
	120x200	166x220	SED29B										8.5	0.77	115
	135x190	181x210	SEI29B										8.9	0.83	120
	137x190 DOUBLE 54X75	181x210	SEE29B										8.9	0.83	120
	140x200	186x220	SEU29B										9	0.84	121
	150x200	196x220	SEL29B										9.3	0.9	126
	153x203 QUEEN 60X80	199x223	SEQ29B										9.3	0.9	126
	160x200	206x220	SEM29B										9.5	0.93	128
	170x200	216x220	SEF29B										10	0.97	136
	180x200	226x220	SEG29B										10.5	1.01	142
	190x200	236x220	SEP29B										11.5	1.07	150
	193x203 KING 76X80	239x223	SEK29B										11.5	1.07	150
available inside height in Box 12-18cm	Loose cover		R29B										0.02		5
rounded base h.20 - rounded base h.29 w/easy-up BOX orthopaedic slatted base included suggested weights for mattresses (see flap on the right) 	100x200	146x220	SEC29BE										8	0.73	113
	120x200	166x220	SED29BE										8.5	0.81	125
	135x190	181x210	SEI29BE										8.9	0.87	130
	137x190 DOUBLE 54X75	181x210	SEE29BE										8.9	0.87	130
	140x200	186x220	SEU29BE										9	0.88	131
	150x200	196x220	SEL29BE										9.3	0.94	136
	153x203 QUEEN 60X80	199x223	SEQ29BE										9.3	0.94	136
	160x200	206x220	SEM29BE										9.5	0.97	138
	170x200	216x220	SEF29BE										10	1.01	146
	180x200	226x220	SEG29BE										10.5	1.05	152
	190x200	236x220	SEP29BE										11.5	1.1	160
	193x203 KING 76X80	239x223	SEK29BE										11.5	1.1	160
available inside height in Box 12-18cm	Loose cover		R29BE										10.5	0.02	5

Selene / Aluminum structure

Standard feet Vasetto - non removable headboard cover

	Mattress	Ext. dimension	Code	D	C	A	Plus	Luxury fabric	Luxury leather	Nuvola fabric	Nuvola leather	TCL	Cover			
													ml	mc	kg	
rounded base h.29 without slatted base (to choose a slatted base see flap on the right)	100x200	146x220	SEC29A										8	0.54	53	
	120x200	166x220	SED29A										8.5	0.58	57	
	135x190	181x210	SEI29A										8.9	0.62	61	
	137x190 DOUBLE 54X75"	181x210	SEE29A										8.9	0.62	61	
	140x200	186x220	SEU29A										9	0.63	62	
	150x200	196x220	SEL29A										9.3	0.66	65	
	153x203 QUEEN 60X80"	199x223	SEQ29A										9.3	0.66	65	
	160x200	206x220	SEM29A										9.5	0.67	66	
	170x200	216x220	SEF29A										10	0.7	71	
	180x200	226x220	SEG29A										10.5	0.72	76	
	190x200	236x220	SEP29A										11.5	0.75	83	
	193x203 KING 76X80"	239x223	SEK29A										11.5	0.75	83	
		Loose cover		R29A											0.02	5
rounded base h.29 w/BOX orthopaedic slatted base included suggested weights for mattresses (see flap on the right)	100x200	146x220	SEC29BA										8	0.69	104	
	120x200	166x220	SED29BA										8.5	0.77	116	
	135x190	181x210	SEI29BA										8.9	0.83	122	
	137x190 DOUBLE 54X75"	181x210	SEE29BA										8.9	0.83	122	
	140x200	186x220	SEU29BA										9	0.84	123	
	150x200	196x220	SEL29BA										9.3	0.9	129	
	153x203 QUEEN 60X80"	199x223	SEQ29BA										9.3	0.9	129	
	160x200	206x220	SEM29BA										9.5	0.93	131	
	170x200	216x220	SEF29BA										10	0.97	139	
	180x200	226x220	SEG29BA										10.5	1.01	146	
	190x200	236x220	SEP29BA										11.5	1.07	155	
	193x203 KING 76X80"	239x223	SEK29BA										11.5	1.07	155	
		Loose cover		R29BA											0.02	5
rounded base h.29 w/easy-up BOX orthopaedic slatted base included suggested weights for mattresses (see flap on the right)	100x200	146x220	SEC29BEA										8	0.73	114	
	120x200	166x220	SED29BEA										8.5	0.81	126	
	135x190	181x210	SEI29BEA										8.9	0.87	132	
	137x190 DOUBLE 54X75"	181x210	SEE29BEA										8.9	0.87	132	
	140x200	186x220	SEU29BEA										9	0.88	133	
	150x200	196x220	SEL29BEA										9.3	0.94	139	
	153x203 QUEEN 60X80"	199x223	SEQ29BEA										9.3	0.94	139	
	160x200	206x220	SEM29BEA										9.5	0.97	141	
	170x200	216x220	SEF29BEA										10	1.01	149	
	180x200	226x220	SEG29BEA										10.5	1.05	156	
	190x200	236x220	SEP29BEA										11.5	1.1	165	
	193x203 KING 76X80"	239x223	SEK29BEA										11.5	1.1	165	
		Loose cover		R29BEA										10.5	0.02	5
rounded base h.29 w/HANDS FREE BOX orthopaedic slatted base included Specify mattress weight (see flap on the right)	150x200	196x223	SEL29BHF										9.3	0.94	135	
	153x203 QUEEN 60X80"	199x226	SEQ29BHF										9.3	0.94	135	
	160x200	206x223	SEM29BHF										9.5	0.97	137	
	170x200	216x223	SEF29BHF										10	1.01	145	
	180x200	226x223	SEG29BHF										10.5	1.05	153	
	190x200	236x223	SEP29BHF										11.5	1.1	163	
	193x203 KING 76X80"	239x226	SEK29BHF										11.5	1.1	163	
		Loose cover		R29BHF											0.02	5

Available on request bedbases for mattresses of 190 cm (surcharge 5%) or 210 cm (15% surcharge) length.
 For other bespoke requests 30% surcharge. 100 € surcharge for bed skirt.

Selene Large / Firwood structure

Standard feet Vasetto - non removable headboard cover - specify if headboard right or left

	Mattress	Ext. dimension	Code	D	C	A	Plus	Luxury fabric	Luxury leather	Nuvola fabric	Nuvola leather	TCL	Cover		
													ml	mc	kg
rounded base h.29 without slatted base (to choose a slatted base see flap on the right)	100x200	203x220	SLC29										9	0.69	67
	120x200	223x220	SLD29										9.5	0.73	73
	135x190	238x210	SLI29										9.9	0.76	77
	137x190 DOUBLE 54X75"	238x210	SLE29										9.9	0.76	77
	140x200	243x220	SLU29										10	0.77	78
	150x200	253x220	SLL29										10.3	0.8	80
	153x203 QUEEN 60X80"	256x223	SLQ29										10.3	0.8	80
	160x200	263x220	SLM29										10.5	0.82	81
	170x200	273x220	SLF29										11	0.84	85
	180x200	283x220	SLG29										11.5	0.86	87
	190x200	293x220	SLP29										12.5	0.92	91
193x203 KING 76X80"	296x223	SLK29										12.5	0.92	91	
	Loose cover		R29											0.02	5
rounded base h.29 w/BOX orthopaedic slatted base included suggested weights for mattresses (see flap on the right)	100x200	203x220	SLC29B										9	0.84	113
	120x200	223x220	SLD29B										9.5	0.92	124
	135x190	238x210	SLI29B										9.9	0.99	128
	137x190 DOUBLE 54X75"	238x210	SLE29B										9.9	0.99	128
	140x200	243x220	SLU29B										10	1	129
	150x200	253x220	SLL29B										10.3	1.04	134
	153x203 QUEEN 60X80"	256x223	SLQ29B										10.3	1.04	134
	160x200	263x220	SLM29B										10.5	1.07	136
	170x200	273x220	SLF29B										11	1.11	142
	180x200	283x220	SLG29B										11.5	1.15	147
	190x200	293x220	SLP29B										12.5	1.2	154
193x203 KING 76X80"	296x223	SLK29B										12.5	1.2	154	
available inside height in Box 18cm	Loose cover		R29B											0.02	5
rounded base h.29 w/easy-up BOX orthopaedic slatted base included suggested weights for mattresses (see flap on the right)	100x200	203x220	SLC29BE										9	0.88	123
	120x200	223x220	SLD29BE										9.5	0.96	134
	135x190	238x210	SLI29BE										9.9	1.03	138
	137x190 DOUBLE 54X75"	238x210	SLE29BE										9.9	1.03	138
	140x200	243x220	SLU29BE										10	1.04	139
	150x200	253x220	SLL29BE										10.3	1.08	143
	153x203 QUEEN 60X80"	256x223	SLQ29BE										10.3	1.08	143
	160x200	263x220	SLM29BE										10.5	1.11	146
	170x200	273x220	SLF29BE										11	1.15	152
	180x200	283x220	SLG29BE										11.5	1.19	157
	190x200	293x220	SLP29BE										12.5	1.25	164
193x203 KING 76X80"	296x223	SLK29BE										12.5	1.25	164	
available inside height in Box 18cm	Loose cover		R29BE											0.02	5

Available on request bedbases for mattresses of 190 cm (surcharge 5%) or 210 cm (15% surcharge) length.
 For other bespoke requests 30% surcharge. 100 € surcharge for bed skirt.

Selene Large / Aluminum structure

Standard feet Vasetto - non removable headboard cover - specify if headboard right or left

	Mattress	Ext. dimension	Code	D	C	A	Plus	Luxury fabric	Luxury leather	Nuvola fabric	Nuvola leather	TCL	Cover		kg	
													ml	mc		
rounded base h.29 without slatted base (to choose a slatted base see flap on the right)	100x200	203x220	SLC29A										9	0.69	64	
	120x200	223x220	SLD29A										9.5	0.73	66	
	135x190	238x210	SLI29A										9.9	0.76	69	
	137x190 DOUBLE 54X75	238x210	SLE29A										9.9	0.76	69	
	140x200	243x220	SLU29A										10	0.77	70	
	150x200	253x220	SLM29A										10.3	0.8	73	
	153x203 QUEEN 60X80	256x223	SLQ29A										10.3	0.8	73	
	160x200	263x220	SLM29A										10.5	0.82	74	
	170x200	273x220	SLF29A										11	0.84	77	
	180x200	283x220	SLG29A										11.5	0.86	81	
	190x200	293x220	SLP29A										12.5	0.92	86	
	193x203 KING 76X80	296x223	SLK29A										12.5	0.92	86	
	Loose cover		R29A										0.02		5	
rounded base h.29 w/BOX orthopaedic slatted base included suggested weights for mattresses (see flap on the right)	100x200	203x220	SLC29BA										9	0.84	114	
	120x200	223x220	SLD29BA										9.5	0.92	125	
	135x190	238x210	SLI29BA										9.9	0.99	130	
	137x190 DOUBLE 54X75	238x210	SLE29BA										9.9	0.99	130	
	140x200	243x220	SLU29BA										10	1	131	
	150x200	253x220	SLL29BA										10.3	1.04	137	
	153x203 QUEEN 60X80	256x223	SLQ29BA										10.3	1.04	137	
	160x200	263x220	SLM29BA										10.5	1.07	139	
	170x200	273x220	SLF29BA										11	1.11	145	
	180x200	283x220	SLG29BA										11.5	1.15	151	
	190x200	293x220	SLP29BA										12.5	1.2	159	
	193x203 KING 76X80	296x223	SLK29BA										12.5	1.2	159	
available inside height in Box 18cm	Loose cover		R29BA										0.02		5	
rounded base h.29 w/easy-up BOX orthopaedic slatted base included suggested weights for mattresses (see flap on the right)	100x200	203x220	SLC29BEA										9	0.88	124	
	120x200	223x220	SLD29BEA										9.5	0.96	135	
	135x190	238x210	SLI29BEA										9.9	1.03	140	
	137x190 DOUBLE 54X75	238x210	SLE29BEA										9.9	1.03	140	
	140x200	243x220	SLU29BEA										10	1.04	141	
	150x200	253x220	SLL29BEA										10.3	1.08	146	
	153x203 QUEEN 60X80	256x223	SLQ29BEA										10.3	1.08	146	
	160x200	263x220	SLM29BEA										10.5	1.11	149	
	170x200	273x220	SLF29BEA										11	1.15	155	
	180x200	283x220	SLG29BEA										11.5	1.19	161	
	190x200	293x220	SLP29BEA										12.5	1.25	169	
	193x203 KING 76X80	296x223	SLK29BEA										12.5	1.25	169	
available inside height in Box 18cm	Loose cover		R29BEA										0.02		5	
rounded base h.29 w/HANDS FREE BOX orthopaedic slatted base included Specify mattress weight (see flap on the right)	150x200	253x223	SLL29BHF										10.3	1.08	143	
	153x203 QUEEN 60X80	256x226	SLQ29BHF										10.3	1.08	143	
	160x200	263x223	SLM29BHF										10.5	1.11	145	
	170x200	273x223	SLF29BHF										11	1.15	151	
	180x200	283x223	SLG29BHF										11.5	1.19	158	
	190x200	293x223	SLP29BHF										12.5	1.25	167	
	193x203 KING 76X80	296x226	SLK29BHF										12.5	1.25	167	
	available inside height in Box 18cm	Loose cover		R29BHF										0.02		5

Selene Extra Large / Firwood structure

Standard feet Vasetto - non removable headboard cover

	Mattress	Ext. dimension	Code	D	C	A	Plus	Luxury fabric	Luxury leather	Nuvola fabric	Nuvola leather	TCL	Cover		kg
													ml	mc	
rounded base h.29 without slatted base (to choose a slatted base see flap on the right)	100x200	255x220	SELC29										10	0.81	72
	120x200	275x220	SELD29										10.5	0.86	78
	135x190	295x210	SELI29										10.9	0.89	82
	137x190 DOUBLE 54X75	295x210	SELE29										10.9	0.89	82
	140x200	295x220	SELU29										11	0.9	83
	150x200	305x220	SELL29										11.3	0.94	85
	153x203 QUEEN 60X80	305x223	SELQ29										11.3	0.94	85
	160x200	315x220	SELM29										11.5	0.95	86
	170x200	325x220	SELF29										12	0.97	89
	180x200	335x220	SELG29										12.5	1	92
	190x200	345x220	SELP29										13.5	1.04	96
	193x203 KING 76X80	345x223	SELK29										13.5	1.04	96
		Loose cover		R29											0.02
rounded base h.29 w/BOX orthopaedic slatted base included suggested weights for mattresses (see flap on the right)	100x200	255x220	SELC29B										10	0.96	118
	120x200	275x220	SELD29B										10.5	1.04	129
	135x190	295x210	SELI29B										10.9	1.12	133
	137x190 DOUBLE 54X75	295x210	SELE29B										10.9	1.12	133
	140x200	295x220	SELU29B										11	1.13	134
	150x200	305x220	SELL29B										11.3	1.19	139
	153x203 QUEEN 60X80	305x223	SELQ29B										11.3	1.19	139
	160x200	315x220	SELM29B										11.5	1.21	141
	170x200	325x220	SELF29B										12	1.25	147
	180x200	335x220	SELG29B										12.5	1.29	152
	190x200	345x220	SELP29B										13.5	1.35	159
	193x203 KING 76X80	345x223	SELK29B										13.5	1.35	159
		Loose cover		R29B											0.02
available inside height in Box 18cm															
rounded base h.29 w/easy-up BOX orthopaedic slatted base included suggested weights for mattresses (see flap on the right)	100x200	255x220	SELC29BE										10	1	128
	120x200	275x220	SELD29BE										10.5	1.08	139
	135x190	295x210	SELI29BE										10.9	1.16	143
	137x137 DOUBLE 54X75	295x210	SELE29BE										10.9	1.16	143
	140x200	295x220	SELU29BE										11	1.17	144
	150x200	305x220	SELL29BE										11.3	1.22	149
	153x203 QUEEN 60X80	305x223	SELQ29BE										11.3	1.22	149
	160x200	315x220	SELM29BE										11.5	1.25	151
	170x200	325x220	SELF29BE										12	1.29	157
	180x200	335x220	SELG29BE										12.5	1.33	162
	190x200	345x220	SELP29BE										13.5	1.39	169
	193x203 KING 76X80	345x223	SELK29BE										13.5	1.39	169
		Loose cover		R29BE											0.02
available inside height in Box 18cm															

Selene Extra Large / Aluminum structure

Standard feet Vasetto - non removable headboard cover

	Mattress	Ext. dimension	Code	D	C	A	Plus	Luxury fabric	Luxury leather	Nuvola fabric	Nuvola leather	TCL	Cover		kg	
													ml	mc		
rounded base h.29 without slatted base (to choose a slatted base see flap on the right)	100x200	255x220	SELC29A										10	0.81	69	
	120x200	275x220	SELD29A										10.5	0.86	71	
	135x190	290x210	SELI29A										10.9	0.89	74	
	137x190 DOUBLE 54X75"	290x210	SELE29A										10.9	0.89	74	
	140x200	295x220	SELU29A										11	0.9	75	
	150x200	305x220	SELL29A										11.3	0.94	78	
	153x203 QUEEN 60X80"	308x223	SELQ29A										11.3	0.94	78	
	160x200	315x220	SELM29A										11.5	0.95	79	
	170x200	325x220	SELF29A										12	0.97	82	
	180x200	335x220	SELG29A										12.5	1	86	
	190x200	345x220	SELP29A										13.5	1.04	91	
	193x203 KING 76X80"	345x223	SELK29A										13.5	1.04	91	
		Loose cover		R29A										0.02	5	
rounded base h.29 w/BOX orthopaedic slatted base included suggested weights for mattresses (see flap on the right)	100x200	255x220	SELC29BA										10	0.96	119	
	120x200	275x220	SELD29BA										10.5	1.04	130	
	135x190	290x210	SELI29BA										10.9	1.12	135	
	137x190 DOUBLE 54X75"	290x210	SELE29BA										10.9	1.12	135	
	140x200	295x220	SELU29BA										11	1.13	136	
	150x200	305x220	SELL29BA										11.3	1.19	142	
	153x203 QUEEN 60X80"	208x220	SELQ29BA										11.3	1.19	142	
	160x200	315x220	SELM29BA										11.5	1.21	144	
	170x200	325x220	SELF29BA										12	1.25	150	
	180x200	335x220	SELG29BA										12.5	1.29	156	
	190x200	345x220	SELP29BA										13.5	1.35	164	
	193x203 KING 76X80"	345x223	SELK29BA										13.5	1.35	164	
		Loose cover		R29BA										0.02	5	
rounded base h.29 w/easy-up BOX orthopaedic slatted base included suggested weights for mattresses (see flap on the right)	100x200	255x220	SELC29BEA										10	1	129	
	120x200	275x220	SELD29BEA										10.5	1.08	140	
	135x190	290x210	SELI29BEA										10.9	1.16	145	
	137x190 DOUBLE 54X75"	290x210	SELE29BEA										10.9	1.16	145	
	140x200	295x220	SELU29BEA										11	1.17	146	
	150x200	305x220	SELL29BEA										11.3	1.22	152	
	153x203 QUEEN 60X80"	308x223	SELQ29BEA										11.3	1.22	152	
	160x200	315x220	SELM29BEA										11.5	1.25	154	
	170x200	325x220	SELF29BEA										12	1.29	160	
	180x200	335x220	SELG29BEA										12.5	1.33	166	
	190x200	345x220	SELP29BEA										13.5	1.39	174	
	193x203 KING 76X80"	345x223	SELK29BEA										13.5	1.39	174	
		Loose cover		R29BEA										0.02	5	
rounded base h.29 w/HANDS FREE BOX orthopaedic slatted base included Specify mattress weight (see flap on the right)	150x200	305x223	SELL29BHF										11.3	1.22	148	
	153x203 QUEEN 60X80"	255x226	SELQ29BHF										11.3	1.22	148	
	160x200	315x223	SELM29BHF										11.5	1.25	150	
	170x200	325x223	SELF29BHF										12	1.29	156	
	180x200	335x223	SELG29BHF										12.5	1.33	163	
	190x200	345x223	SELP29BHF										13.5	1.39	172	
	193x203 KING 76X80"	345x226	SELK29BHF										13.5	1.39	172	
		Loose cover		R29BHF										0.02	5	

Available on request bedbases for mattresses of 190 cm (surcharge 5%) or 210 cm (15% surcharge) length.
 For other bespoke requests 30% surcharge. 100 € surcharge for bed skirt.

GIROLETTI E PIEDINI / BEDFRAMES AND FEET

pieдини in legno / wooden feet:

pieдини realizzati in legno di frassino con possibilità di essere tinti, verniciati ral o foderati in tessuto a scelta.

ash wood legs with the possibility of being dyed, RAL varnished or lined with fabric (of your choice)

pieдини in metallo / metal feet:

pieдини realizzati in metallo con possibilità di essere verniciati effetto ottone o colori ral.

metal legs with the possibility of being painted in brass effect or RAL varnished.

bedframe h.9 cm



cilindro

H 26 cm 10²/₈"



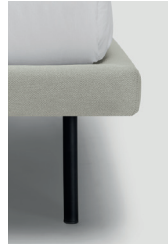
vasetto

H 26 cm 10²/₈"



vasetto inclinato

H 26 cm 10²/₈"



tubino

H 26 cm 10²/₈"



lamina

H 26 cm 10²/₈"



arco

H 26 cm 10²/₈"

bedframe h.20 cm



cilindro

H 12,5 cm 4⁷/₈"



vasetto

H 12,5 cm 4⁷/₈"



tubino

H 12,5 cm 4⁷/₈"



lamina

H 15 cm 5⁷/₈"

bedframe h.29 cm



vasetto h. 4cm

H 4 cm 1⁵/₈"



vasetto h. 9-12,5 cm

H 9 cm 3⁴/₈"

H 12,5 cm 4⁷/₈"



cipolla

H 8 cm 3¹/₈"

finiture legno tinto / lacquered wood finishes:



noce / walnut



ciliegio / cherry



rovere / oak



wengè

finiture metallo / metal finishes:



ottone satinato /
brushed brass

finiture laccati ral / ral lacquered finishes:



bianco / white
RAL 9010



nero / black
RAL 9011



grigio / grey
RAL 7044



marrone / brown
RAL 8019



rosso / red
RAL 3005



verde / green
RAL 6020



blu / blue
RAL 5008

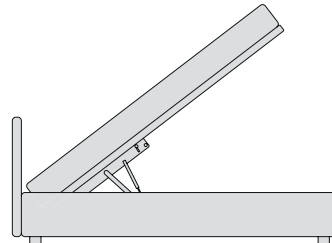
h. 20-29 SISTEMA CONTENITORE / BOX SYSTEM



box

BOX

apertura basic del box grazie ad un semplice sistema a leva / basic opening of storage box thanks to a simple lever system



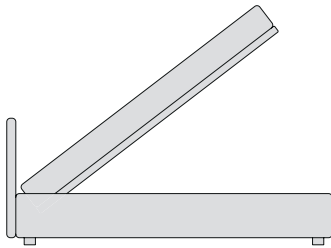
interno in legno



interno in alluminio
only for h29cm

HANDS-FREE solo per h.29 cm / only for h.29cm

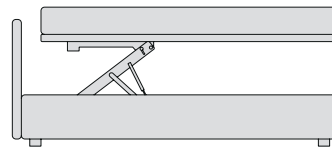
apertura del box senza l'uso delle mani e grazie al box completamente in alluminio è privo di pistoncini a vista / The mechanism allows to open the storage box without hands, and thanks to its aluminum structure, the storage box has inner pistons, thus maintaining a top-notch design



interno in alluminio
only for h29cm

EASY UP

grazie al movimento che mantiene la rete all'interno dello spazio occupato dal letto, ottimizza lo spazio all'interno della stanza / mechanism optimizes the space inside the room thanks to its movement that keeps the slatted base within the space occupied by the bed



interno in legno

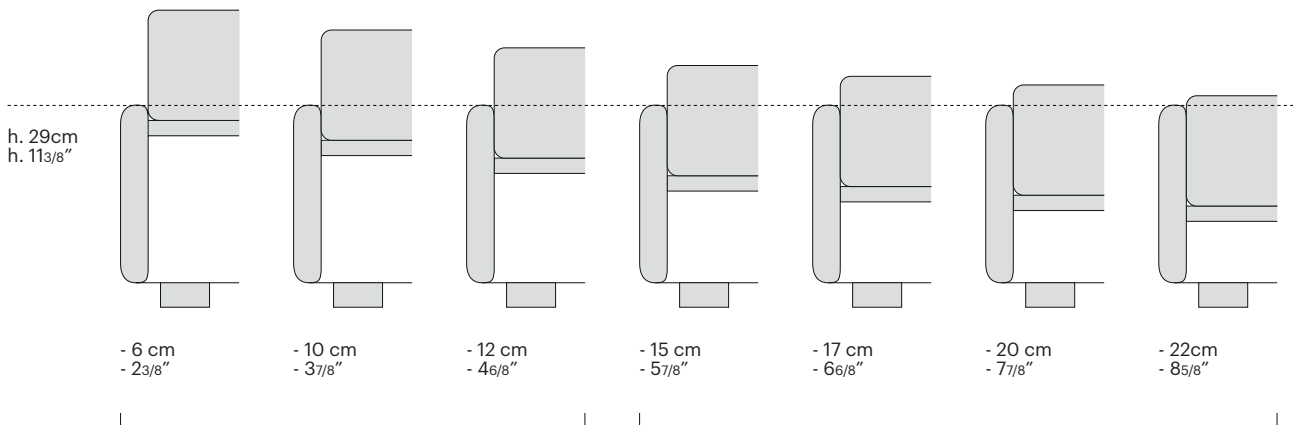


interno in alluminio
only for h29cm

h. 20-29 INCASSO MATERASSO / MATTRESS RECESS

La struttura dei letti Bolzan permette di soddisfare le diverse esigenze di progettazione: l'incasso del materasso nella struttura del letto è personalizzabile in 7 altezze diverse. Non disponibile per le basi con box.

Bolzan beds' structure allows you to meet different design needs: the mattress recess in the bed's structure is customizable in 7 different heights. It is not available for bases with box.



ribassamento disponibile per giroletto h. 20 e h. 29 cm /
mattress recess available for h. 20 and h. 29 cm bedframes

ribassamento disponibile solo per giroletto h. 29 cm /
mattress recess available for h. 29 cm bedframe

INFORMAZIONI SUI MATERIALI

Legno

Tutto il legname proviene da produttori certificati PEFC/CTM, ciò significa che il legno proviene da piantagioni di riforestazione, dove ogni pianta utilizzata viene sostituita da una nuova per non distruggere l'ambiente anzi aumentandone l'apporto di ossigeno all'interno dell'atmosfera.

Bolzan Letti, da sempre particolarmente attenta alla politica ambientale e al perseguimento di nuovi obiettivi di miglioramento del proprio prodotto anche e soprattutto in termini di tutela della salute delle persone, ha già scelto di andare oltre, acquistando solo pannelli compensati certificati CARB e CARB2. Destinati a tutta la produzione e non solo ai prodotti da immettere sul mercato Usa.

Alluminio 100% riciclabile

Resistente, leggero e durevole, l'alluminio non si altera nel tempo e può essere fuso e riciclato all'infinito, con un ridotto consumo di energia, senza perdere le sue caratteristiche originali. Ecco perché si può definire un materiale eco-sostenibile per eccellenza, a vantaggio della qualità della vita di oggi e di domani.

Gommapiuma e rivestimento interno

Dal sapiente taglio dei blocchi di gomma nascono tutte le imbottiture. Nelle imbottiture è fondamentale saper scegliere le varie densità di gomma in quanto ogni parte del letto risponde ad esigenze estetiche-funzionali diverse. L'uso di poliuretano espanso ad alta densità ed indeformabile garantisce comfort e durata. Tutti gli imbottiti vengono foderati con dacron accoppiato a velfodera resistente alla luce ed ignifuga, secondo le normative standard mondiali.

Materiali riciclati/riciclabili

È stata posta attenzione anche alle imbottiture, realizzate prevalentemente in schiumati riciclabili. Il poliuretano espanso flessibile, comunemente noto come "gommapiuma", rappresenta l'imbottitura in assoluto più utilizzata, grazie alla vasta gamma disponibile per formati e densità. Le rimanenze vengono riconvertite in lastre di agglomerato espanso che vengono interamente riutilizzate all'interno della produzione annullando gli scarti di materia prima.

Colle atossiche

La colla utilizzata è a base d'acqua per ridurre la presenza di solventi sintetici. I vantaggi dell'utilizzo della vernice all'acqua, si esprimono nella grande sostenibilità e limitato impatto ambientale nell'uso di questo prodotto. Grazie all'utilizzo delle vernici e colle all'acqua è infatti possibile ridurre del 95 per cento le emissioni nell'ambiente di composti organici volatili (COV), diversamente dall'impiego di comuni vernici a solvente. Altro vantaggio relativo all'utilizzo di colle ad acqua, è che questi prodotti sono completamente inodore, non infiammabili e caratterizzati da livelli di tossicità estremamente limitati.

Materiali alternativi / cocco

La ricerca continua e la volontà di innovare in maniera sostenibile ha portato l'azienda a utilizzare materiali alternativi come le lastre di cocco che compongono l'imbottitura dei letti. La fibra di cocco viene raccolta dall'omonimo albero in India, Sri Lanka, Indonesia, Brasile. Le fibre di cocco vengono impregnate con lattice naturale. L'amalgama risultante (il cocco gommato) viene vulcanizzato e successivamente sagomato in lastre di varie formati, spessori e densità. È possibile inoltre avere lastre sagomate con canali trasversali atti a favorire un'ulteriore traspirabilità. Rispetto ad altri materiali, l'impiego del cocco nella lavorazione di imbottiti ha il vantaggio, di un facile e rapido confezionamento del prodotto, dato che le lastre in cocco gommato possono essere incollate, graffettate e cucite mantenendo inalterata la loro caratteristica principale che è la robustezza: non si sfaldano nel tempo, non provocano polvere, non assorbono umidità. Oltre a ciò si presta ad essere utilizzato all'interno di poltrone e materassi raggiungendo il 20% di peso in meno.

Materiali alternativi / ovatta

L'ovatta contribuisce a garantire il benessere della persona durante il riposo, restando a contatto con il corpo insieme al tessuto e determinando una piacevole sensazione di comfort. Bolzan Letti dedica a questo materiale la stessa attenzione che rivolge alla costruzione delle strutture interne. L'ovatta di lana ha una microstruttura formata da una fitta rete di fibre che dona all'imbottitura naturali doti di traspirabilità, indeformabilità e durata nel tempo. L'ovatta di poliestere è un materiale non solo soffice, indeformabile, resistente, ipoallergenico, inattaccabile da acari e muffe e idrorepellente, ma anche ecosostenibile. È infatti composta al 75% da fibre provenienti dal riciclo di bottiglie di plastica e quindi è a sua volta facilmente riciclabile. Inoltre è certificata Oeko-Tex Classe 1 e ciò garantisce l'assenza di sostanze nocive.

Tessuti

I tessuti sostenibili sono il risultato di processi produttivi industriali ecocompatibili, basati sulla riduzione di consumi energetici, sull'utilizzo di fonti di materie prime rinnovabili, sull'ottimizzazione della catena produttiva capace di ridurre l'impiego di prodotti chimici anche grazie a nuove soluzioni basate sulla biochimica e all'utilizzo delle biotecnologie.

- **Tessuti FSC** Numerosi tessuti della collezione Bolzan Letti sono marchiati FSC. Questi tessuti sono più rispettosi dell'ambiente rispetto alle fibre sintetiche o al cotone in quanto le fibre di cellulosa di cui sono fatti provengono da foreste gestite in maniera corretta e sostenibile.

- **Tessuti OEKO** L'Oeko-Tex Standard 100 è uno standard unico di certificazione e controllo nel settore delle materie prime tessili, dei semilavorati e dei prodotti finiti in tutte le fasi di lavorazione, che permette di identificare quei prodotti che non presentano alcun rischio per la salute del consumatore.

- **Tessuti PEFC** Il marchio PEFC significa che proviene da una foresta certificata (ovviamente, solo il materiale di origine forestale e arborea contenuto nel prodotto). Una foresta PEFC è una foresta gestita in linea con i più severi requisiti ambientali, sociali ed economici. Una foresta che ci sarà anche per le generazioni future.

Pelle

Bolzan Letti utilizza esclusivamente pelli di alta qualità, provenienti da concerie selezionate e prodotte con trattamenti che rispettano l'ambiente. Il fascino e il prestigio naturali di questa materia prima, capace di donare emozioni uniche al tatto e alla vista, sono ulteriormente valorizzate da un controllo di qualità accurato che oltre all'utilizzo di moderne tecnologie, prevede l'intervento di occhi e mani esperte, per scartare tutte le parti non idonee alle lavorazioni e garantire un risultato finale perfetto.

Imballo

Un'attenzione particolare è riservata al packaging sostenibile. Ridurlo all'essenziale per diminuire la quantità di rifiuti o utilizzare materiali naturali, biodegradabili e riciclabili è diventato un elemento importante per Bolzan Letti, che vede la sostenibilità come un valore aggiunto dei propri prodotti. Bolzan Letti ha abbandonato plastiche e polistirolo a favore degli imballaggi in cartone 100% riciclabile: cartone semplice e a nido d'ape. Le scatole contenitive sono inoltre realizzate da un nuovo macchinario che prepara imballi ad hoc a seconda delle dimensioni del prodotto riducendo al minimo gli sprechi. Per trasporti internazionali vengono utilizzati anche imballaggi in legno per proteggere al meglio il prodotto Bolzan.

Wood

All wood comes from certified PEFC/CTM producers, which means that wood comes from reforestation plantations, where every used tree is replaced by a new one to avoid destroying the environment and thus increasing its oxygen supply to the atmosphere.

Thanks to its deep attention to environmental policy and the pursuit of new objectives for the improvement of its product, especially in terms of the protection of human health, Bolzan Letti has already chosen to go further, buying only CARB e CARB2 certified plywood panels, for all production and not only for products to be placed on the US market.

100% recyclable aluminium

Aluminium is resistant, lightweight and durable. Its features do not change over time and allow it to be recycled infinitely, with a limited energy consumption, and without risking the loss of its original characteristics. That is the reason why it can be defined the eco friendly material for excellence, and represents the beginning of a better quality of life for future generations.

The foam rubber and the inner lining

From the clever cutting of the foam blocks all the paddings are formed. In the paddings it is essential to know how to use different foam densities as each part of the bed responds to different aesthetic-functional requirements. The use of high-density and non-deformable polyurethane foam guarantees comfort and durability. All the padded parts are lined with dacron coupled with flame retardant and light resistant velfodera (fibre-lining), according to world standard laws.

Recycled / recyclable materials

Attention was also paid to the padding, made mainly of recyclable foams. The flexible polyurethane foam, commonly known as "foam rubber", represents the most widely used padding, thanks to its wide availability for sizes and densities. The surplus are reconverted into expanded agglomerate slabs that are entirely reused within our production, thus eliminating raw material waste.

Non-toxic glues

We use water-based glue to reduce the presence of synthetic solvents. The advantages of using this water-based stain in its great sustainability and limited environmental impact. Thanks to the use of water-based components, it is in fact possible to reduce the emissions of volatile organic compounds (VOCs) by 95 percent, compared to the use of common solvent-based paints. Another advantage related to their use is that these products are completely odorless, non-flammable and characterized by extremely limited toxicity levels.

Alternative materials / coconut

The continuous research and the will to innovate in a sustainable way led the company to use alternative materials such as the coconut slabs to make up the padding of the bed. Coconut fibers are impregnated with natural latex: the resulting amalgam (the rubberized coconut) is vulcanized and subsequently shaped into slabs of various sizes, thicknesses and densities. It is also possible to have shaped slabs with transverse channels to favor further breathability.

Compared to other materials, the use of coconut in the processing of upholstered furniture has the advantage of an easy and quick product packaging, since the rubberized coconut sheets can be glued, stapled and sewn while maintaining their main characteristic which is the same: robustness: they do not flake off over time, do not cause dust, do not absorb moisture. In addition, it is suitable to be used inside armchairs and mattresses, reaching 20% less weight.

Alternative materials / wadding

The wadding helps to ensure the well-being of the person during rest, remaining in contact with the body together with the fabric and creating a pleasant sensation of comfort. Bolzan Letti pays the same attention to this material as it does to the construction of inner structures. The wool wadding has a microstructure formed by a dense network of fibers giving the padding natural qualities of breathability, non-deformability and durability. Polyester wadding is not only a soft, non-deformable, resistant, hypoallergenic material, resistant to mites and molds and water-repellent, but also eco-sustainable. In fact, it is usually made up of 75% fibers from the recycling of plastic bottles and is therefore easily recyclable.

Fabrics

Sustainable fabrics are the result of environmentally friendly industrial production processes, based on the reduction of energy consumption, on the use of renewable raw material sources, and on the optimization of the production chain capable of reducing the use of chemical products also thanks to new solutions based on biochemistry and the use of biotechnology.

- **FSC fabrics** Numerous fabrics from the Bolzan collection are FSC branded. These fabrics are more environmentally friendly than synthetic fibers or cotton since the cellulose fibers they are made of come from forests that are managed correctly and sustainably.

- **OEKO fabrics** The Oeko-Tex Standard 100 is a globally uniform testing and certification system for textile raw materials, intermediate and end products at all stages, which allows to identify those products that do not present any risk to the health of the consumer.

- **PEFC fabrics** The PEFC mark means that the good comes from a certified forest (obviously, only the material of forest and arboreal origin contained in the product). A PEFC forest is a forest managed in line with the strictest environmental, social and economic requirements. A forest that will also be there for future generations.

Leather

Bolzan Letti uses only high quality leathers, from selected tanneries and produced with treatments that respect the environment. The natural charm and prestige of this raw material, capable of giving unique emotions to the touch and sight, are further enhanced by an accurate quality control which, in addition to the use of modern technologies, involves the intervention of expert eyes and hands, to discard all parts not suitable for processing and guarantee a perfect final result.

Packaging

Special attention is paid to sustainable packaging. Reducing it to the essential to decrease the amount of waste or the use of natural, biodegradable and recyclable materials has become an important element for Bolzan, which sees sustainability as an added value to its product system. Bolzan Letti has abandoned plastics and polystyrene in favor of 100% recyclable cardboard packaging. For all packaging there is the exclusive use of simple and honeycomb cardboard, instead of polymeric materials such as polystyrene. The containment boxes are also made from a new machine preparing ad hoc packaging according to the product size, thus waste is minimized. For international transport, wooden packaging is also used to better protect Bolzan products.