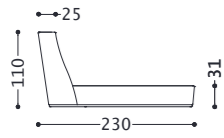


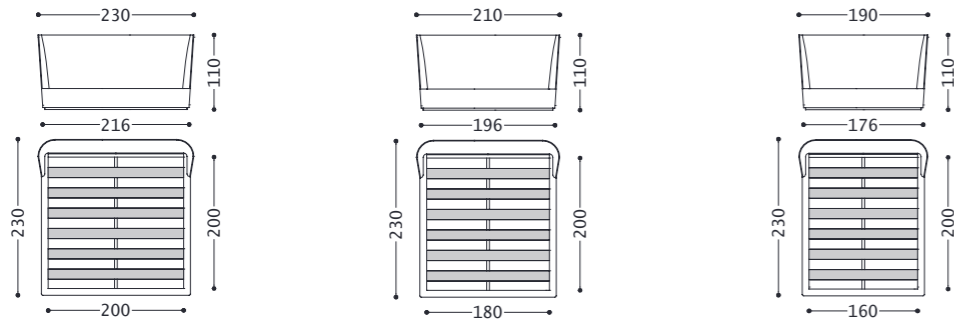
designed and dressed by Castello Lagravinese Studio



Cod. Tessuto/fabric/tissu/Stoff: 1  
Cod. Pelle/leather/cuir/Leder: 2



CON DOGHE/WITH SLATS/À LATTES/MIT LATTENROST

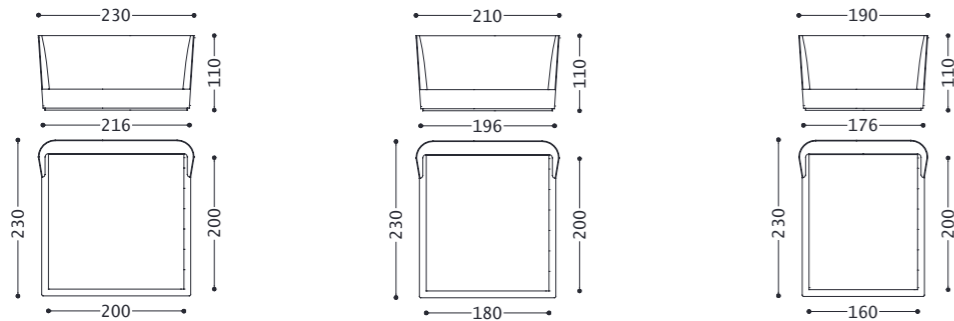


1VILLA200  
2VILLA200

1VILLA180SC  
2VILLA180SC

1VILLA160  
2VILLA160

SENZA DOGHE/WITHOUT SLATS/SANS LATTES/OHNE LATTENROST

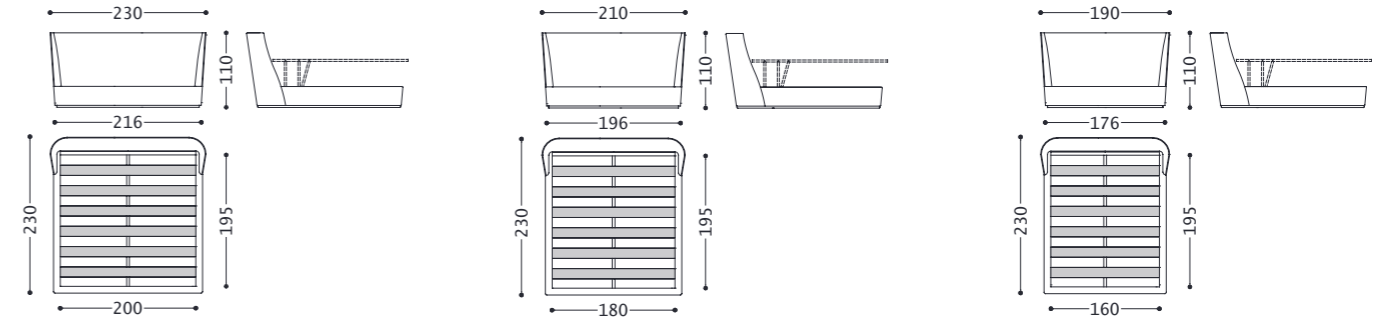


1VILLA200B  
2VILLA200B

1VILLA180BSC  
2VILLA180BSC

1VILLA160B  
2VILLA160B

CON ALZATA FACILITATA/EASY LIFT MECHANISM/MÉCANISME DE SOULÈVEMENT FACILITÉ/MECHANISMUS DER DAS ANHEBEN ERLEICHTERT

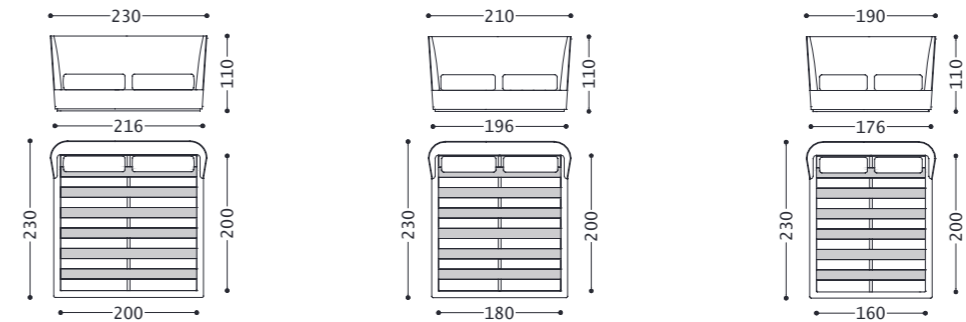


1VILLB200AF  
2VILLB200AF

1VILLB180AF  
2VILLB180AF

1VILLB160AF  
2VILLB160AF

COMPOSIZIONI/COMPOSITIONS/KOMPOSITIONEN

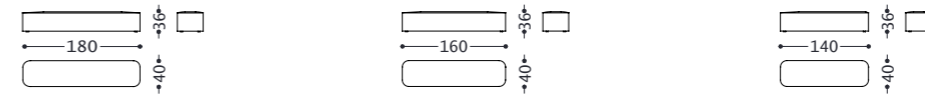


01VILC1  
(1VILLA200 - 1VILCL200)

01VILC2  
(1VILLA180SC - 1VILCL180)

01VILC3  
(1VILLA160 - 1VILCL160)

PANCA/BENCH/BANQUETTE/BANK

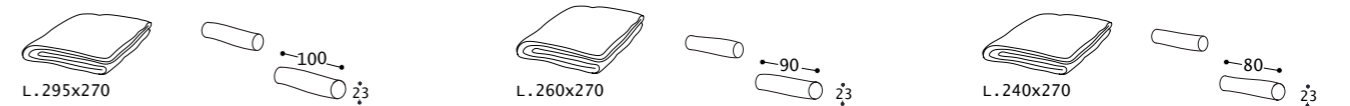


1VILPC200  
2VILPC200

1VILPC180  
2VILPC180

1VILPC160  
2VILPC160

CUSCINI E COORDINATI LETTI/PILLOWS AND BEDDING SET/OREILLERS ET PARURE/KISSEN UND SET FÜR BETT



1VILCOPLA200

1VILC200

1VILCOPLA180

1VILC180

1VILCOPLA160

1VILCL160

1VILCQ60P

1VILCQ45