

Elisabeth Carlo Colombo 2017

TECHNICAL SHEET

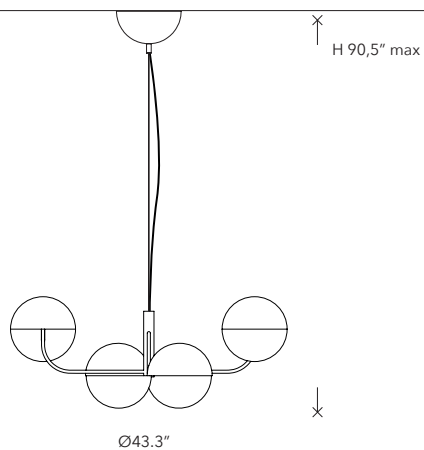
Elisabeth collection is inspired by an astronomical game of hemispheres: from the linear version of the table lamp to the suspension lamp, reminiscent of art deco. The formal cleanliness of the volumes is enriched by glossy metal and Carrara marble.



	1711-23 LARGE
Mounting	Suspension
Environment	Indoor - Dry Location
Materials	Metal
Voltage	120V 60Hz
Source	LED 8x 8W - CRI=90
Color Temperature	3000K
Lumen	8x827lm
Lighting control	Dimmable 0-10V
Cable RAL	9005

Technical Drawing

1711-23



Finishes

Structure



Glossy black chrome metal

Base



Glossy black chrome metal



White Carrara marble

Elisabeth Carlo Colombo

Codes Interpretation

1711-23-2300-DXNV

1711
Year Collection

23
Typology Model

2300
Finish1 Finish2

DXNV
Lighting control Cable Source Wiring

CODES	SIZE	STRUCTURE	SHADE	DETAILS
1711-23-2300-DXNV	suspension	glossy black chrome		dimnable 0-10V

Legenda

Lighting Control	D = Dimmable	N = Not dimmable	
Cable	X = not suspension lamp	2 = 2m	4 = 4m
Source	B = Bulb	W = Integrated LED 2700K	N = Integrated LED 3000K
Wiring	E = Universal	U = USA with certification	V = USA without certification