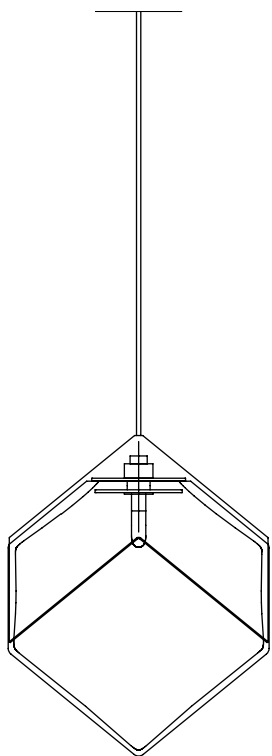


de castelli x pyrite

Design by
Dechem Studio



bomma

bomma.cz

TECHNICAL SHEET
FOR PENDANT LIGHT FIXTURES

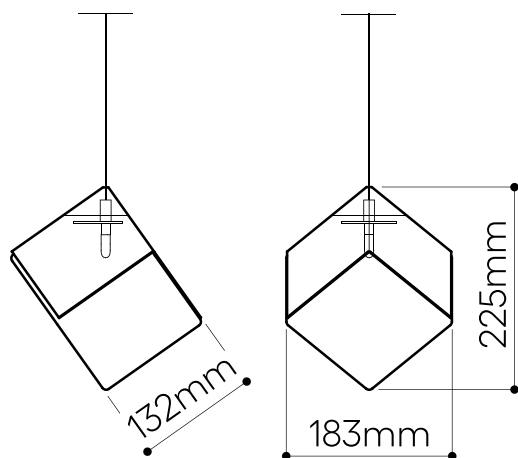
DE CASTELLI X PYRITE

large pendant

Design by
Dechem Studio

Handmade glass attributes

All Bomma products are hand-made from mouth-blown lead-free crystal. Therefore any small bubbles, non-melts and irregularities in the glass are both proof and a characteristic feature of this traditional craft.



LIGHTING DESCRIPTION

Size	183 × 209 × 225 mm 7,2 × 8,2 × 8,9 inch
Cable	transparent 2,5 m / 98,4 inch
Weight	+/- 1,9 kg / 4,2 lbs
Glass	mouth-blown lead-free crystal in clear
Mounting	brushed brass
Metal sheet top	deopale brass (=manually oxidated brushed brass)
Protection	IP 20
Nominal voltage	220-240V / A.C. 50 hz (EU) 110-120 V / A.C. 60 Hz (USA)
Class	III. EU / II. USA

LIGHT SOURCE

Type	G4, 1,2W LED, 100 lm
Base	G4 (EU) / G4 (USA)
Voltage	12V, AC
Temperature	2700 K
Color index	RA 90+
Dimming	EU/Other versions - dimmable in constellations, non dimmable as a single pendant. UL/The Americas - dimmable in constellations and as a single pendant.

TRANSFORMER

Primary	100-240V, 50/60 Hz, 0,04A
Secondary	DC 700mA (0,5V-4V) 1x3W

PACKAGING

Material	Cardboard
Size	230 × 220 × 220 mm 9 × 8,6 × 8,6 inch

Origin: traditionally produced in the Czech Republic
Intellectual property license holder: Bomma Czech Republic (EU)
Represented by BMRC group s.r.o.

CERTIFICATES

