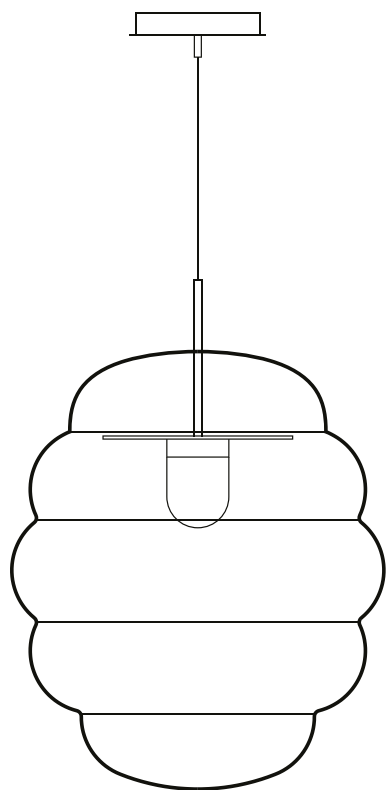


lolimpo

Design by Big-Game



bomma

bomma.cz

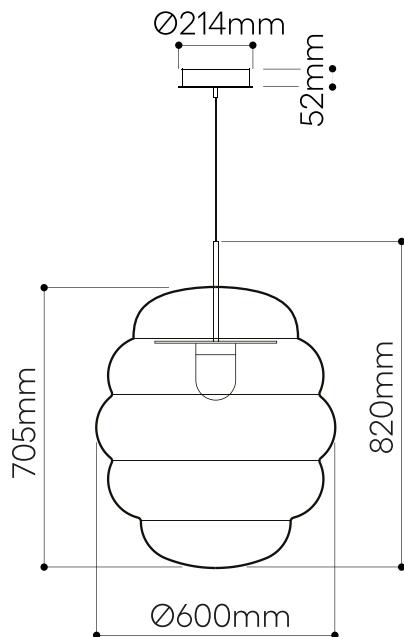
TECHNICAL SHEET

BLIMP pendant large

Design by
Big-Game

Handmade glass attributes

All Bomma products are hand-made from mouth-blown lead-free crystal. Therefore any small bubbles, non-melts and irregularities in the glass are both proof and a characteristic feature of this traditional craft.



LIGHTING DESCRIPTION

| | |
|-----------------|--|
| Size | dia. 600 mm, H 820 mm dia. 23,6 inch, H 32,3 inch |
| Cable | black textile braid cable 2,5 m / 98,4 inch |
| Weight | +/- 24 kg / 52,8 lb |
| Glass | mouth-blown lead-free crystal in clear and amber |
| Mounting | black (aluminium black elox / steel with black powder coating) |
| Protection | IP 20 |
| Nominal voltage | 220-240V / A.C. 50-60 hz (EU) 110-120 V / A.C. 60 Hz (USA) |
| Class | I. EU / I. USA |

LIGHT SOURCE

| | |
|-------------|---|
| Type | LED module 24,5W, 2450lm, 700mA |
| Base | custom LED module |
| Voltage | 220-240V, AC (EU) / 110-120V, AC (USA) |
| Temperature | 2700 K |
| Color index | RA 90+ |
| Dimming | Dimmable with TRIAC, ELV, 0-10V, PUSH, DALI, CASSAMBI |

PACKAGING

| | |
|----------|---|
| Material | Cardboard |
| Size | 670 × 670 × 950 mm 26,4 × 26,4 × 37,4 inch |

Origin: traditionally produced in the Czech Republic
Intellectual property license holder: Bomma Czech Republic (EU)
Represented by BMRC group s.r.o.

CERTIFICATES

