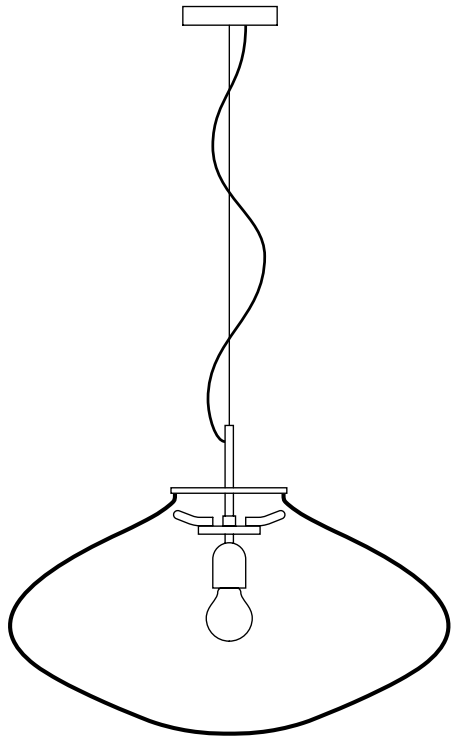


disc

Design by
Olgoj Chorchoj studio



bomma

bomma.cz

TECHNICAL SHEET

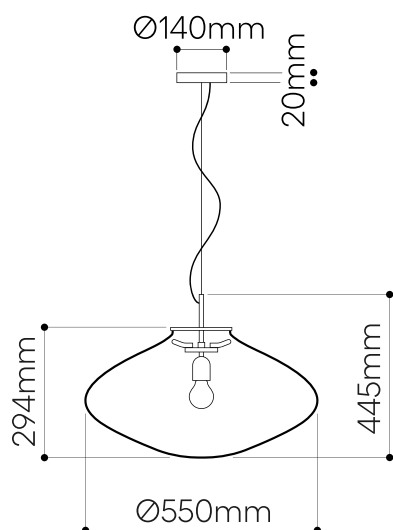
DISC pendant

Design by
Olgoj Chorchoj studio

Handmade glass attributes

All Bomma products are hand-made from mouth-blown lead-free crystal. Therefore any small bubbles, non-melts and irregularities in the glass are both proof and a characteristic feature of this traditional craft.

The intensity and color shade of metal-coated glass may vary slightly from product to product. Small dots in the coating, especially visible after the light is on, are not a defect of the product. When installing and cleaning, touch the coated glass only with the gloves supplied. Failure to do so could cause irreversible damage to the surface. Never use liquid solutions or chemical cleaners to clean the metal-coated glass. Wipe the surface with a soft, dry cloth only.



LIGHTING DESCRIPTION

| | |
|-----------------|---|
| Size | dia. 550 mm , H 445 mm dia. 21,7 inch, H 17,5 inch |
| Cable | black, textile braid 2,5 m / 98,4 inch |
| Weight | + - 10,5 kg / 23,1 lb |
| Glass | mouth-blown lead-free crystal in clear |
| Mounting | silver (brass and galvanized nickel) black (stainless steel with black powder coating) brushed copper (brass and galvanized copper) |
| Protection | IP 20 |
| Nominal voltage | 220-240V / A.C. 50 hz (EU) 110-120 V / A.C. 60 Hz (USA) |
| Class | II. EU / I. USA |

LIGHT SOURCE

| | |
|-------------|--|
| Type | A60 / A19, 6,5W led, 600 lm (EU) A60 / A19, 6W led, 600 lm (USA) |
| Base | E27 EU / E26 USA |
| Wattage | max. 13W |
| Temperature | 2700 K |
| Color index | RA 90+ |
| Dimming | Dimmable with TRIAC ; on demand dimmable with DALI, RF/WIFI, for information on dimming with other systems please contact your Bomma partner. |

PACKAGING

| | |
|----------|---|
| Material | Cardboard |
| Size | 800 × 630 × 430 mm 31,5 × 24,8 × 16,9 inch |

Origin: traditionally produced in the Czech Republic
Intellectual property license holder: Bomma Czech Republic (EU)
Represented by BMRC group s.r.o.

CERTIFICATES

