

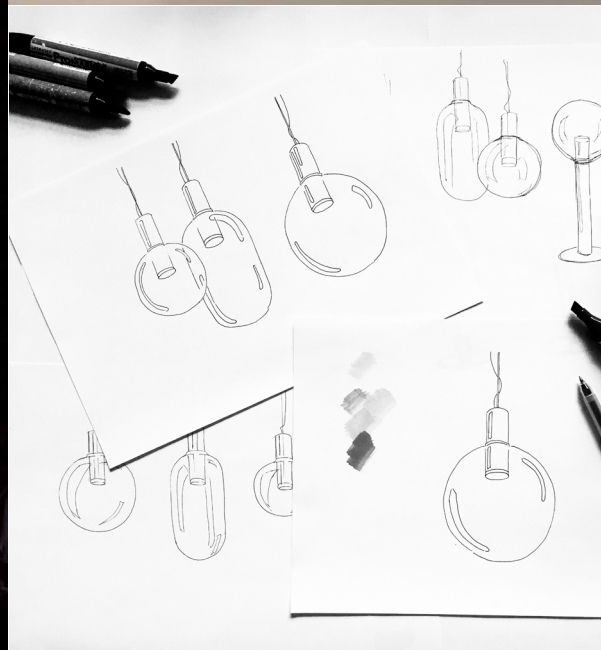
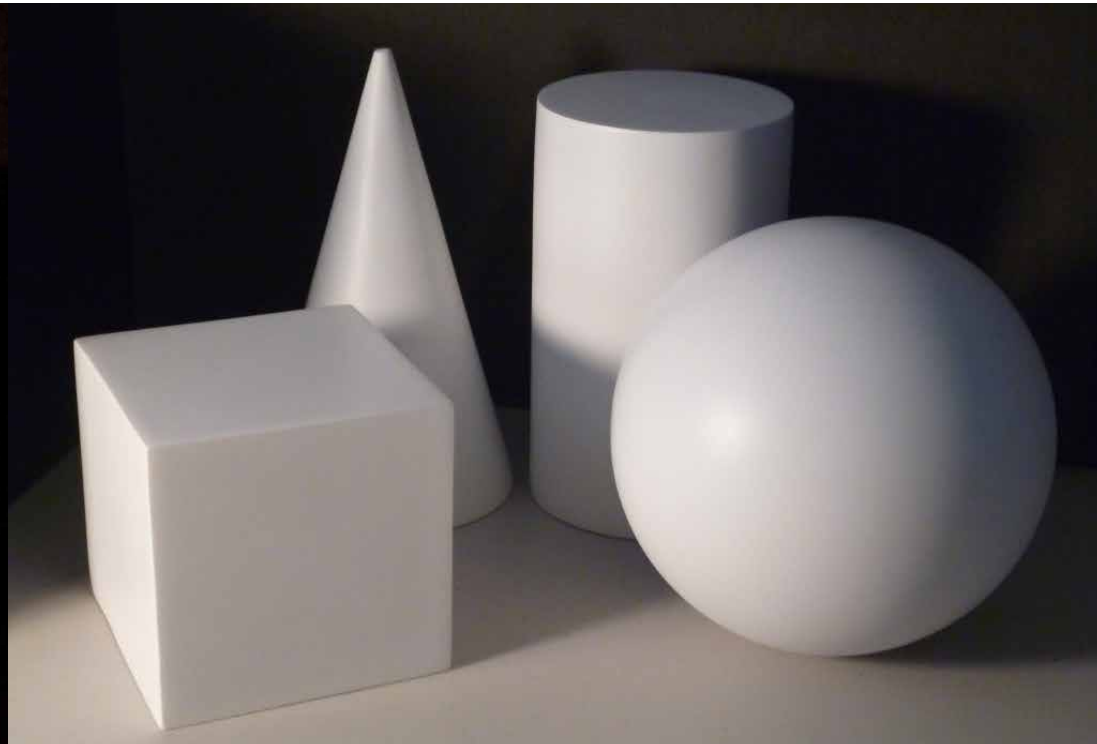
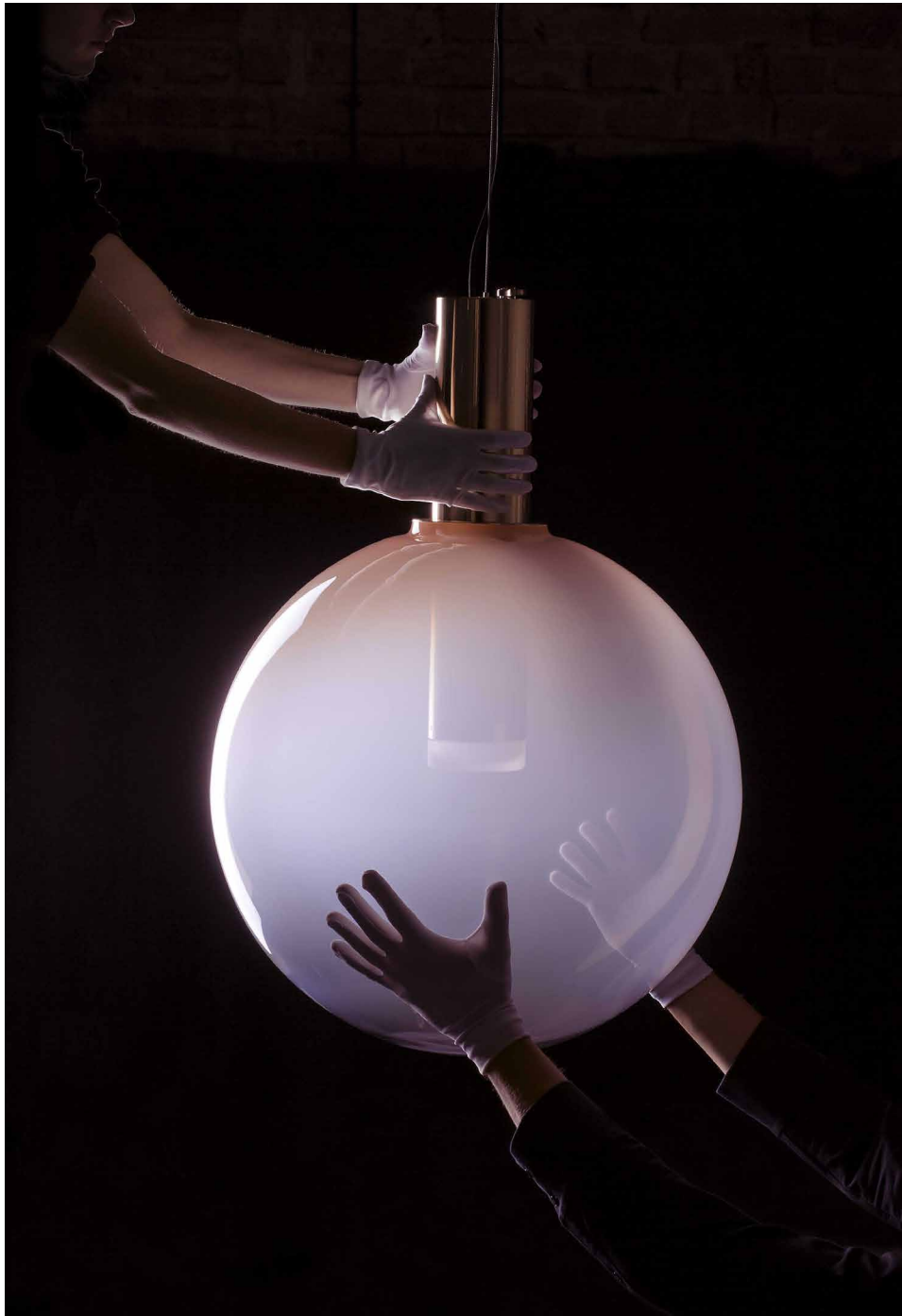


phenomena

loomma



inspiration



PHENOMENA

Transient images of the eternal.

The collection was inspired by simple shapes: a circle, a triangle, a rectangle and an oval. The term phenomenon comes from the Greek word for "appearance". The forms are what you see on first sight. In Plato's idealist philosophy, phenomena are transient, likenesses of the eternal, perfect Forms and so are not truly real. This seems very fitting for a collection made in a material that is so difficult yet versatile, so strong yet fragile as glass.

Design by Dechem Studio

bomma

production







projects



BOMMA catalogue, 2021



BOMMA Atelier, Prague, 2021



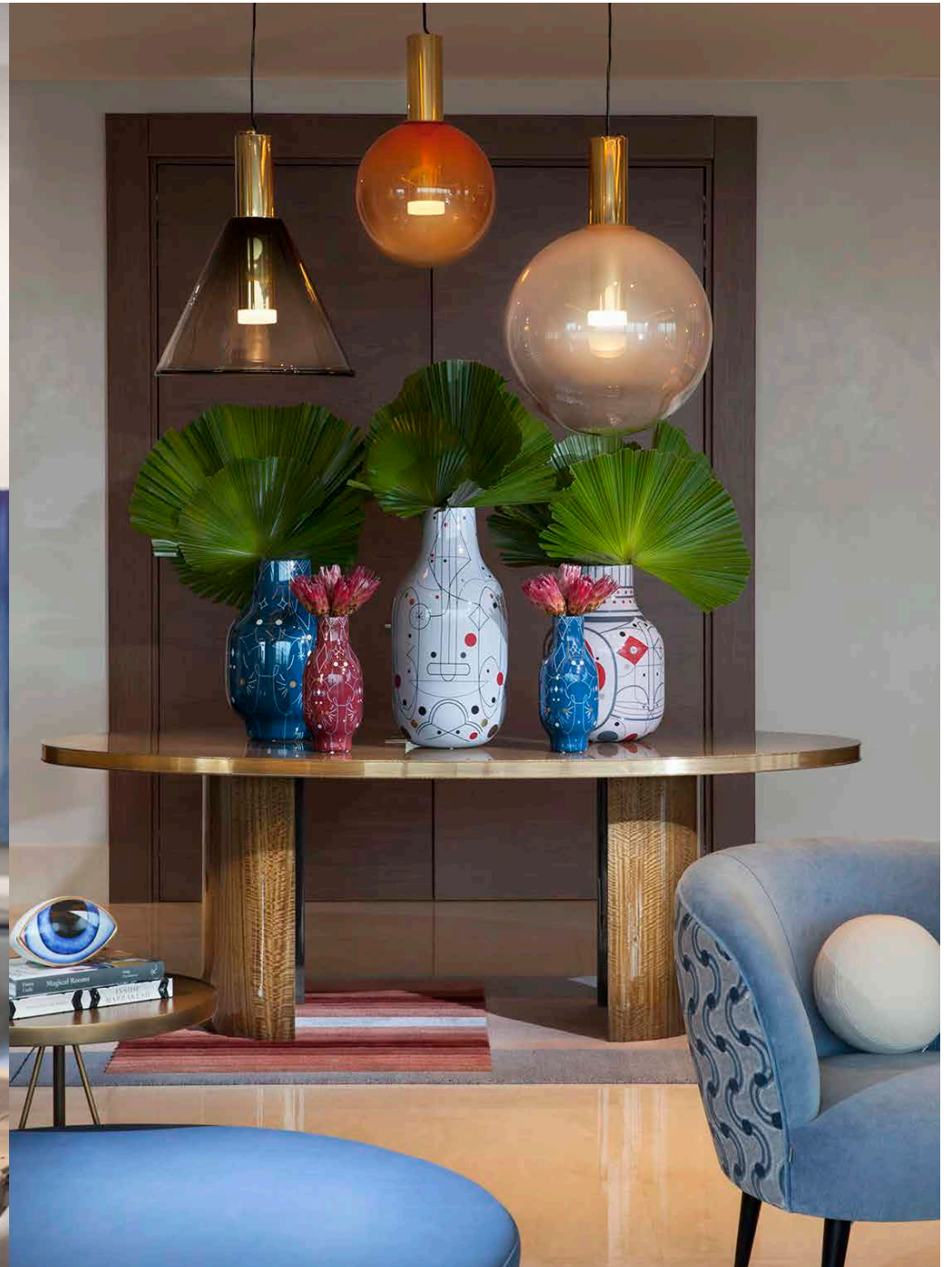
Zamalek residence, Egypt, 2021



DEPO showroom, Prague, 2021



Espacio Home Design, Mallorca, 2020



Park Tower West, Dominican Republic, 2020



Canape by SOFFA, Prague, 2019



LEMARKET Highlights, 2020



Space concept by Monument office



Zlota 44 by NAP, Poland, 2018

options



flamingo pink
gold fitting



mint green
gold fitting



ferrari red
gold fitting



smoke grey
gold fitting

pendant

Glass options: mint green, flamingo pink, ferrari red,
smoke grey, clear

Fitting options: silver, gold, brushed gold, brushed
silver

lomma



flamingo pink
silver fitting



mint green
silver fitting



ferrari red
silver fitting



smoke grey
silver fitting

pendant

Glass options: mint green, flamingo pink, ferrari red,
smoke grey, clear

Fitting options: silver, gold, brushed gold, brushed
silver

lomma



clear
brushed gold fitting



clear
brushed gold fitting



clear
brushed gold fitting



clear
brushed gold fitting

pendant

Glass options: mint green, flamingo pink, ferrari red,
smoke grey, clear

Fitting options: silver, gold, brushed gold, brushed
silver

lomma



clear
brushed silver fitting



clear
brushed silver fitting



clear
brushed silver fitting



clear
brushed silver fitting

pendant

Glass options: mint green, flamingo pink, ferrari red, smoke grey, clear

Fitting options: silver, gold, brushed gold, brushed silver

lomma



smoke grey
gold fitting



smoke grey
gold fitting



smoke grey
gold fitting

pendant smoke

Glass options: mint green, flamingo pink, ferrari red,
smoke grey, clear

Fitting options: silver, gold, brushed gold, brushed
silver

bomma



smoke grey
silver fitting



smoke grey
silver fitting



smoke grey
silver fitting

pendant smoke

Glass options: mint green, flamingo pink, ferrari red,
smoke grey, clear

Fitting options: silver, gold, brushed gold, brushed
silver

bomma



flamingo pink
gold fitting



mint green
gold fitting



flamingo pink
silver fitting



mint green
silver fitting

floor

Glass options: mint green, flamingo pink, ferrari red,
smoke grey, clear

Fitting options: silver, gold, brushed gold, brushed
silver

bomma



smoke grey large
gold fitting



smoke grey small
gold fitting



smoke grey large
silver fitting



smoke grey small
silver fitting

floor

Glass options: mint green, flamingo pink, ferrari red,
smoke grey, clear

Fitting options: silver, gold, brushed gold, brushed
silver

bomma

technical informations

PHENOMENA

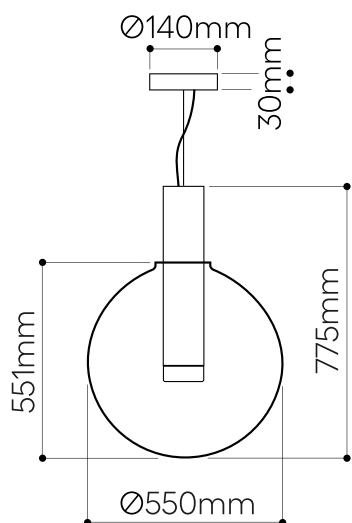
pendant large ball

Design by
Dechem Studio

Handmade glass attributes

All Bomma products are hand-made from mouth-blown lead-free crystal. Therefore any small bubbles, non-melts and irregularities in the glass are both proof and a characteristic feature of this traditional craft.

The Phenomena Collection is made by underlying colored glass technology. Thanks to the manual process of blowing underlay glass, each piece is an original. Individual products may vary slightly in intensity, hue or even color. This is an accompanying characteristic of the traditional underlay glass technology.



LIGHTING DESCRIPTION

Size	dia. 550 mm, H 775 mm dia. 21,6 inch, H 30,5 inch
Cable	black textile braid 2,5 m / 98,4 inch
Weight	+/- 22,5 kg / 49,5 lb
Glass	mouth-blow lead-free crystal in clear, smoke grey and flamingo pink
Mounting	silver (polished stainless steel) brushed silver (brushed stainless steel) gold (polished stainless steel with nitride titan coating) brushed gold (brushed stainless steel with nitride titan coating)
Protection	IP 20
Nominal voltage	220-240V / A.C. 50 hz (EU) 110-120 V / A.C. 60 Hz (USA)
Class	II. EU / I. USA

LIGHT SOURCE

Type	A60 / A19, 8W led, 800 lm (EU) A60 / A19, 6W led, 600 lm (USA)
Base	E27 (EU) / E26 (USA)
Wattage	max. 13W
Temperature	2700 K
Color index	RA 90+
Dimming	Dimmable with TRIAC ; on demand dimmable with DALI, RF/WIFI, for information on dimming with other systems please contact your Bomma partner.

PACKAGING

Material	Cardboard
Size	780 × 660 × 660 mm 30,7 × 26 × 26 inch

Origin: traditionally produced in the Czech Republic
Intellectual property license holder: Bomma Czech Republic (EU)
represented by BMRC group s.r.o.

CERTIFICATES



bomma

PHENOMENA

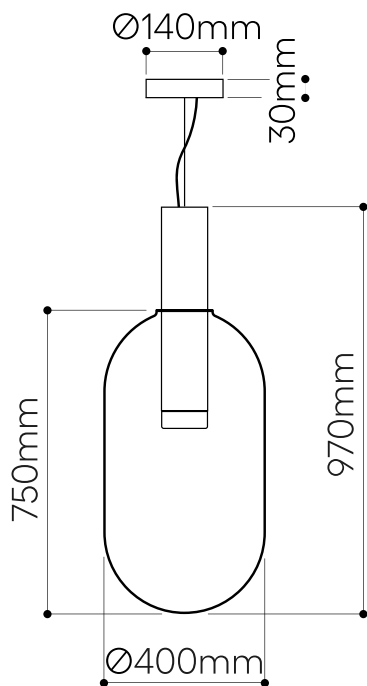
pendant capsule

Design by
Dechem Studio

Handmade glass attributes

All Bomma products are hand-made from mouth-blown lead-free crystal. Therefore any small bubbles, non-melts and irregularities in the glass are both proof and a characteristic feature of this traditional craft.

The Phenomena Collection is made by underlying colored glass technology. Thanks to the manual process of blowing underlay glass, each piece is an original. Individual products may vary slightly in intensity, hue or even color. This is an accompanying characteristic of the traditional underlay glass technology.



LIGHTING DESCRIPTION

Size	dia. 400 mm, H 970 mm dia. 15,7 inch, H 38,2 inch
Cable	black textile braid 2,5 m / 98,4 inch
Weight	+/- 23 kg / 50,6 lb
Glass	mouth-blow lead-free crystal in clear, smoke grey and mint green
Mounting	silver (polished stainless steel) brushed silver (brushed stainless steel) gold (polished stainless steel with nitride titan coating) brushed gold (brushed stainless steel with nitride titan coating)
Protection	IP 20
Nominal voltage	220-240V / A.C. 50 hz (EU) 110-120 V / A.C. 60 Hz (USA)
Class	II. EU / I. USA

LIGHT SOURCE

Type	A60 / A19, 8W led, 800 lm (EU) A60 / A19, 6W led, 600 lm (USA)
Base	E27 (EU) / E26 (USA)
Wattage	max. 13W
Temperature	2700 K
Color index	RA 90+
Dimming	Dimmable with TRIAC ; on demand dimmable with DALI, RF/WIFI, for information on dimming with other systems please contact your Bomma partner.

PACKAGING

Material	Cardboard
Size	900 × 640 × 640 mm 35,4 × 25,2 × 25,2 inch

Origin: traditionally produced in the Czech Republic
Intellectual property license holder: Bomma Czech Republic (EU)
represented by BMRC group s.r.o.

CERTIFICATES



bomma

PHENOMENA

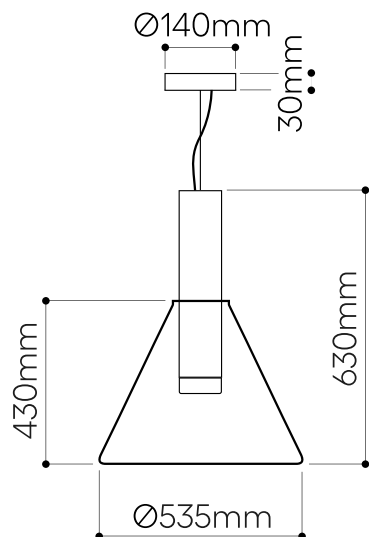
pendant cone

Design by
Dechem Studio

Handmade glass attributes

All Bomma products are hand-made from mouth-blown lead-free crystal. Therefore any small bubbles, non-melts and irregularities in the glass are both proof and a characteristic feature of this traditional craft.

The Phenomena Collection is made by underlying colored glass technology. Thanks to the manual process of blowing underlay glass, each piece is an original. Individual products may vary slightly in intensity, hue or even color. This is an accompanying characteristic of the traditional underlay glass technology.



LIGHTING DESCRIPTION

Size	dia. 535 mm, H 630 mm dia. 21 inch, H 24,8 inch
Cable	black textile braid 2,5 m / 98,4 inch
Weight	+/- 24 kg / 52,8 lb
Glass	mouth-blow lead-free crystal in clear and smoke grey
Mounting	silver (polished stainless steel) brushed silver (brushed stainless steel) gold (polished stainless steel with nitride titan coating) brushed gold (brushed stainless steel with nitride titan coating)
Protection	IP 20
Nominal voltage	220-240V / A.C. 50 hz (EU) 110-120 V / A.C. 60 Hz (USA)
Class	II. EU / I. USA

LIGHT SOURCE

Type	A60 / A19, 8W led, 800 lm (EU) A60 / A19, 6W led, 600 lm (USA)
Base	E27 (EU) / E26 (USA)
Wattage	max. 13W
Temperature	2700 K
Color index	RA 90+
Dimming	Dimmable with TRIAC ; on demand dimmable with DALI, RF/WIFI, for information on dimming with other systems please contact your Bomma partner.

PACKAGING

Material	Cardboard
Size	780 × 660 × 660 mm 30,7 × 26 × 26 inch

Origin: traditionally produced in the Czech Republic
Intellectual property license holder: Bomma Czech Republic (EU)
represented by BMRC group s.r.o.

CERTIFICATES



bomma

PHENOMENA

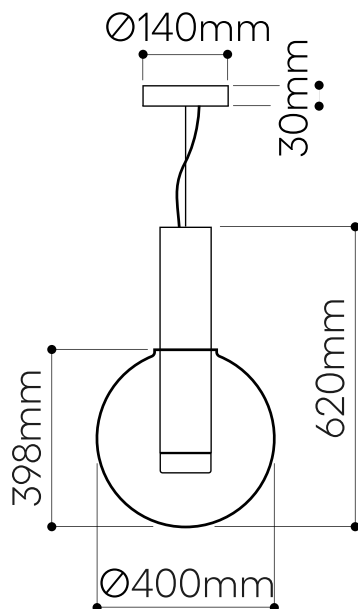
pendant small ball

Design by
Dechem Studio

Handmade glass attributes

All Bomma products are hand-made from mouth-blown lead-free crystal. Therefore any small bubbles, non-melts and irregularities in the glass are both proof and a characteristic feature of this traditional craft.

The Phenomena Collection is made by underlying colored glass technology. Thanks to the manual process of blowing underlay glass, each piece is an original. Individual products may vary slightly in intensity, hue or even color. This is an accompanying characteristic of the traditional underlay glass technology.



LIGHTING DESCRIPTION

Size	dia. 400 mm, H 620 mm dia. 15,7 inch, H 24,4 inch
Cable	black textile braid 2,5 m / 98,4 inch
Weight	+/- 15 kg / 33 lb
Glass	mouth-blow lead-free crystal in clear, smoke grey and ferrari red
Mounting	silver (polished stainless steel) brushed silver (brushed stainless steel) gold (polished stainless steel with nitride titan coating) brushed gold (brushed stainless steel with nitride titan coating)
Protection	IP 20
Nominal voltage	220-240V / A.C. 50 hz (EU) 110-120 V / A.C. 60 Hz (USA)
Class	II. EU / I. USA

LIGHT SOURCE

Type	A60 / A19, 8W led, 800 lm (EU) A60 / A19, 6W led, 600 lm (USA)
Base	E27 (EU) / E26 (USA)
Wattage	max. 13W
Temperature	2700 K
Color index	RA 90+
Dimming	Dimmable with TRIAC ; on demand dimmable with DALI, RF/WIFI, for information on dimming with other systems please contact your Bomma partner.

PACKAGING

Material	Cardboard
Size	780 × 660 × 660 mm 30,7 × 26 × 26 inch

Origin: traditionally produced in the Czech Republic
Intellectual property license holder: Bomma Czech Republic (EU)
Represented by BMRC group s.r.o

CERTIFICATES



bomma

PHENOMENA

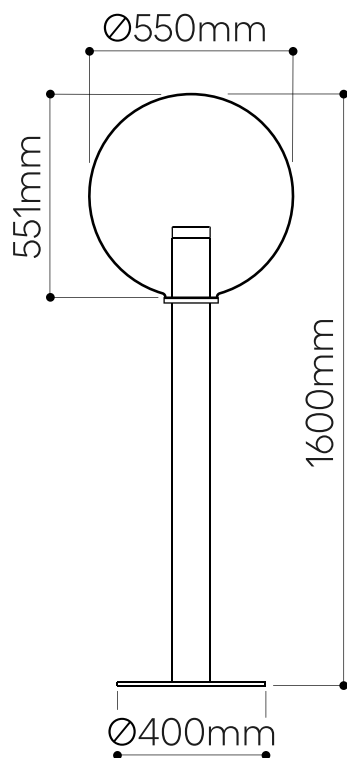
floor lamp large ball

Design by
Dechem Studio

Handmade glass attributes

All Bomma products are hand-made from mouth-blown lead-free crystal. Therefore any small bubbles, non-melts and irregularities in the glass are both proof and a characteristic feature of this traditional craft.

The Phenomena Collection is made by underlying colored glass technology. Thanks to the manual process of blowing underlay glass, each piece is an original. Individual products may vary slightly in intensity, hue or even color. This is an accompanying characteristic of the traditional underlay glass technology.



LIGHTING DESCRIPTION

Size	dia. 550 mm, H 1600 mm dia. 21,6 inch, H 63 inch
Cable	black textile braid 1,8 m / 70,8 inch
Weight	+ - 38 kg / 84 lb
Glass	mouth-blow lead-free crystal in clear, smoke grey and flamingo pink
Mounting	silver (polished stainless steel) brushed silver (brushed stainless steel) gold (polished stainless steel with nitride titan coating) brushed gold (brushed stainless steel with nitride titan coating)
Protection	IP 20
Nominal voltage	220-240V / A.C. 50 hz (EU) 110-120 V / A.C. 60 Hz (USA)
Class	II. EU / I. USA

LIGHT SOURCE

Type	A60 / A19, 8W led, 800 lm (EU) A60 / A19, 6W led, 600 lm (USA)
Base	E27 (EU) / E26 (USA)
Wattage	max. 13W
Temperature	2700 K
Color index	RA 90+
Dimming	Dimmable with TRIAC ; on demand dimmable with DALI, RF/WIFI, for information on dimming with other systems please contact your Bomma partner.

PACKAGING

Material	Cardboard
Size	780 × 660 × 660 mm 30,7 × 26 × 26 inch 1260 × 430 × 440 mm 49,6 × 16,9 × 17,3 inch

Origin: traditionally produced in the Czech Republic
Intellectual property license holder: Bomma Czech Republic (EU)
Represented by BMRC group s.r.o.

CERTIFICATES



bomma

PHENOMENA

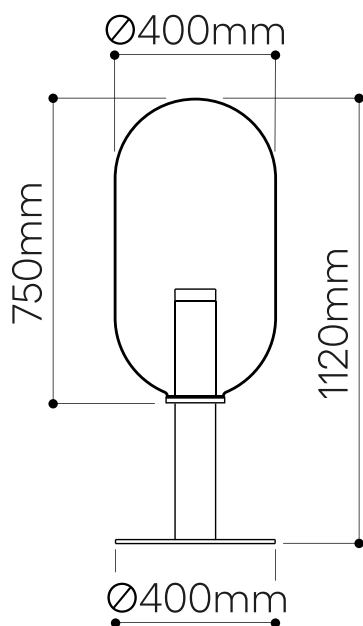
floor lamp capsule

Design by
Dechem Studio

Handmade glass attributes

All Bomma products are hand-made from mouth-blown lead-free crystal. Therefore any small bubbles, non-melts and irregularities in the glass are both proof and a characteristic feature of this traditional craft.

The Phenomena Collection is made by underlying colored glass technology. Thanks to the manual process of blowing underlay glass, each piece is an original. Individual products may vary slightly in intensity, hue or even color. This is an accompanying characteristic of the traditional underlay glass technology.



LIGHTING DESCRIPTION

Size	dia. 400 mm, H 1120 mm dia. 15,7 inch, H 44,1 inch
Cable	black textile braid 1,8 m / 70,8 inch
Weight	+ 35 kg / 77 lb
Glass	mouth-blow lead-free crystal in clear, smoke grey and mint green
Mounting	silver (polished stainless steel) brushed silver (brushed stainless steel) gold (polished stainless steel with nitride titan coating) brushed gold (brushed stainless steel with nitride titan coating)
Protection	IP 20
Nominal voltage	220-240V / A.C. 50 hz (EU) 110-120 V / A.C. 60 Hz (USA)
Class	II. EU / I. USA

LIGHT SOURCE

Type	A60 / A19, 8W led, 800 lm (EU) A60 / A19, 6W led, 600 lm (USA)
Base	E27 (EU) / E26 (USA)
Wattage	max. 13W
Temperature	2700 K
Color index	RA 90+
Dimming	Dimmable with TRIAC ; on demand dimmable with DALI, RF/WIFI, for information on dimming with other systems please contact your Bomma partner.

PACKAGING

Material	Cardboard
Size	900 × 640 × 640 mm 35,4 × 25,2 × 25,2 inch 660 × 430 × 440 mm 25,9 × 16,9 × 16,9 inch

Origin: traditionally produced in the Czech Republic
Intellectual property license holder: Bomma Czech Republic (EU)
Represented by BMRC group s.r.o.

CERTIFICATES



bomma

BMRC Group s.r.o.
Hvězdova 1716/2b,
Prague 4, 140 00,
Czech Republic

info@bomma.cz

step beyond