

# Cosmos

SMALL TABLES

2006

Jeffrey Bennett



## Description

---

Cosmos is a round small table available in two top sizes. The spoke frame in aluminium combines with tops in laminate or in oak in a variety of finishes. Harmoniously minimalist, this versatile small table is suitable both in the home and in the contract furniture industry.

## Technical information

---

**Top**

solid core HPL stratified laminate or multi-layered wood panel, multi-laminate surface

**Support frame**

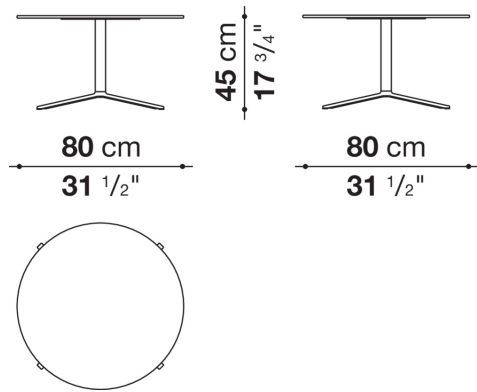
die-cast aluminium and extrusions

**Ferrules**

thermoplastic material

# Technical drawings

## CST0804R



## CST0504R

