

# Michel

SMALL TABLES

2012

Antonio Citterio



## Description

---

Whether rectangular or square, the Michel small tables, available in several sizes, complement the series of sofas of the same name, while also pairing with ease with other upholstered products. Minimalist and elegant, they stand out for their tops available in glass. The frame is in aluminium in various finishes.

## Technical information

---

**Top**

glass on MDF wood fibre panel

**Support frame**

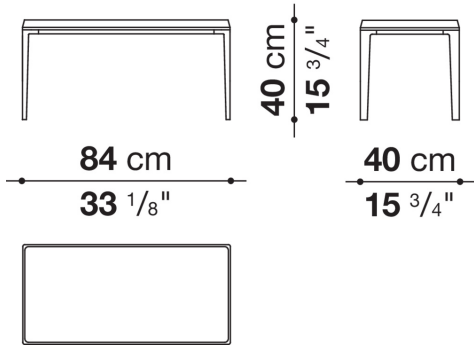
die-cast aluminium and extrusions

**Ferrules**

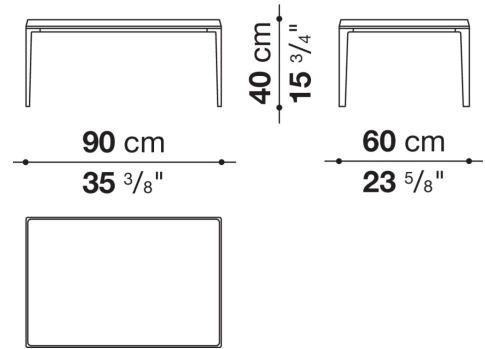
plastic material

# Technical drawings

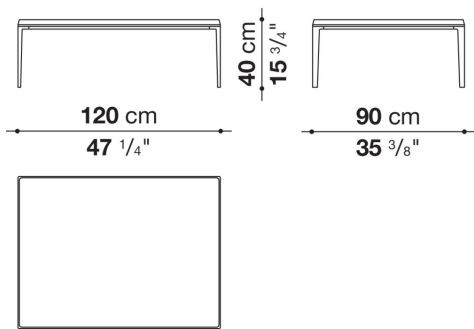
## MT84



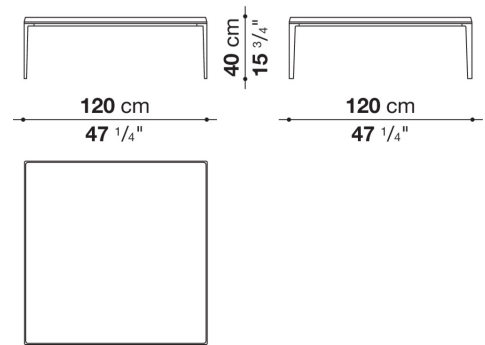
## MT90



## MT120



## MT120Q



## MT180

