

Hive

SMALL TABLES

2013

Atelier Oi



Description

Delicately poetic, Hive is an original combination of ottomans and small tables. The former have a three-dimensional surface springing from the assembly of small leather petals discarded from the manufacturing process. The latter, instead, are obtained from a folded metal sheet. Inspired by the structure of the beehive, Hive is a green accessory rooted in manual expertise and geometry.

Technical information

Seat (H61P)

multi-layered wood panel, shaped polyurethane, polyurethane, cover in polypropylene and polyamide

Bottom base (H61P)

thermoplastic material

Support frame (H61P)

drawn steel

Frame and top (H58T-H50T)

steel sheet

Ferrules (H61P)

plastic material

Ferrules (H58T-H50T)

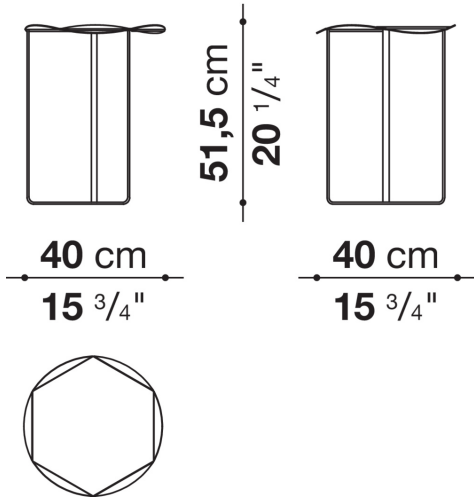
thermoplastic material

Cover (H61P)

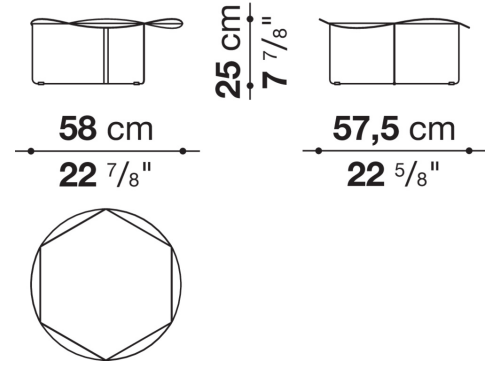
leather Gamma

Technical drawings

H50T



H58T



H61P

