

# Athos '12

TABLES

2012

Paolo Piva



## Description

---

The Athos '12 rectangular table comes in two lengths, in both a fixed and an extensible version, the latter being characterised by an invisible mechanism that allows it to be lengthened so as to accommodate up to twelve people. The V-shaped metal frame supports a thick top softened by rounded edges obtained by means of a complex milling process that enables the wood grain to remain even throughout the entire surface.

## Technical information

---

**Top**

veneered wood particles panel

**Support frame**

drawn steel

**Frame (fixed tables)**

steel sheet

**Frame (extensible tables)**

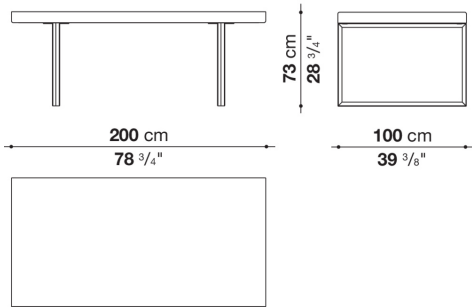
anodized aluminium extrusions, plastic material tools

**Ferrules**

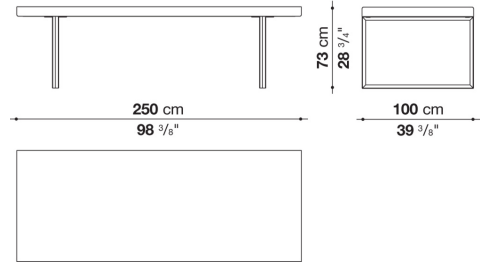
thermoplastic material

# Technical drawings

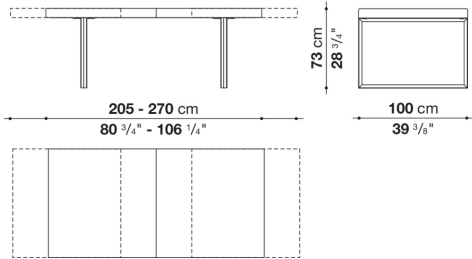
**TAH200F**



**TAH250F**



**TAH205A**



**TAH255A**

