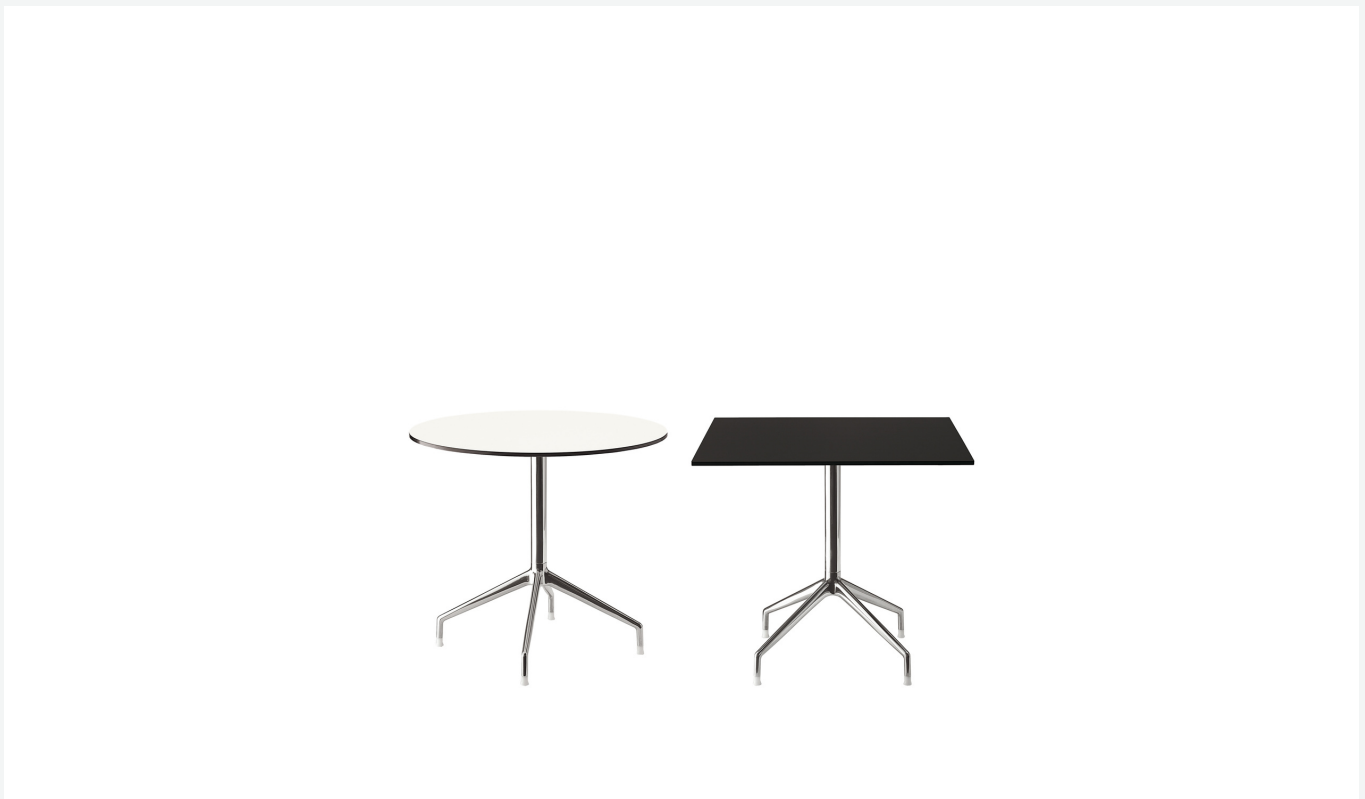


# Sina

TABLES

2006

Uwe Fischer



## Description

---

The Sina tables in two versions, round and square, are harmonious, minimal and can be approached with each other. They can be matched up to Sina and Iuta chairs, they easily adapt to different uses both domestic and contract.

## Technical information

---

**Top**

solid core HPL stratified laminate or multi-layered wood panel, multi-laminate surface

**Support frame**

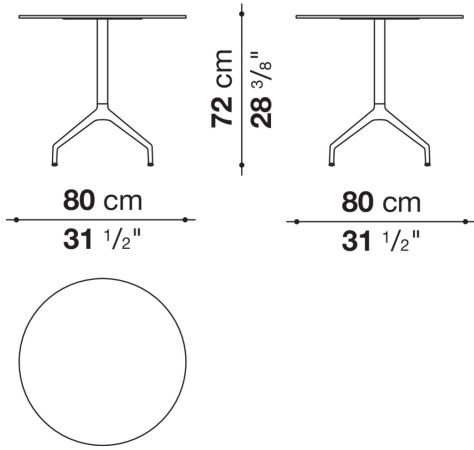
die-cast aluminium and extrusions

**Ferrules**

thermoplastic material

# Technical drawings

**ST0807R**



**ST0807Q**

