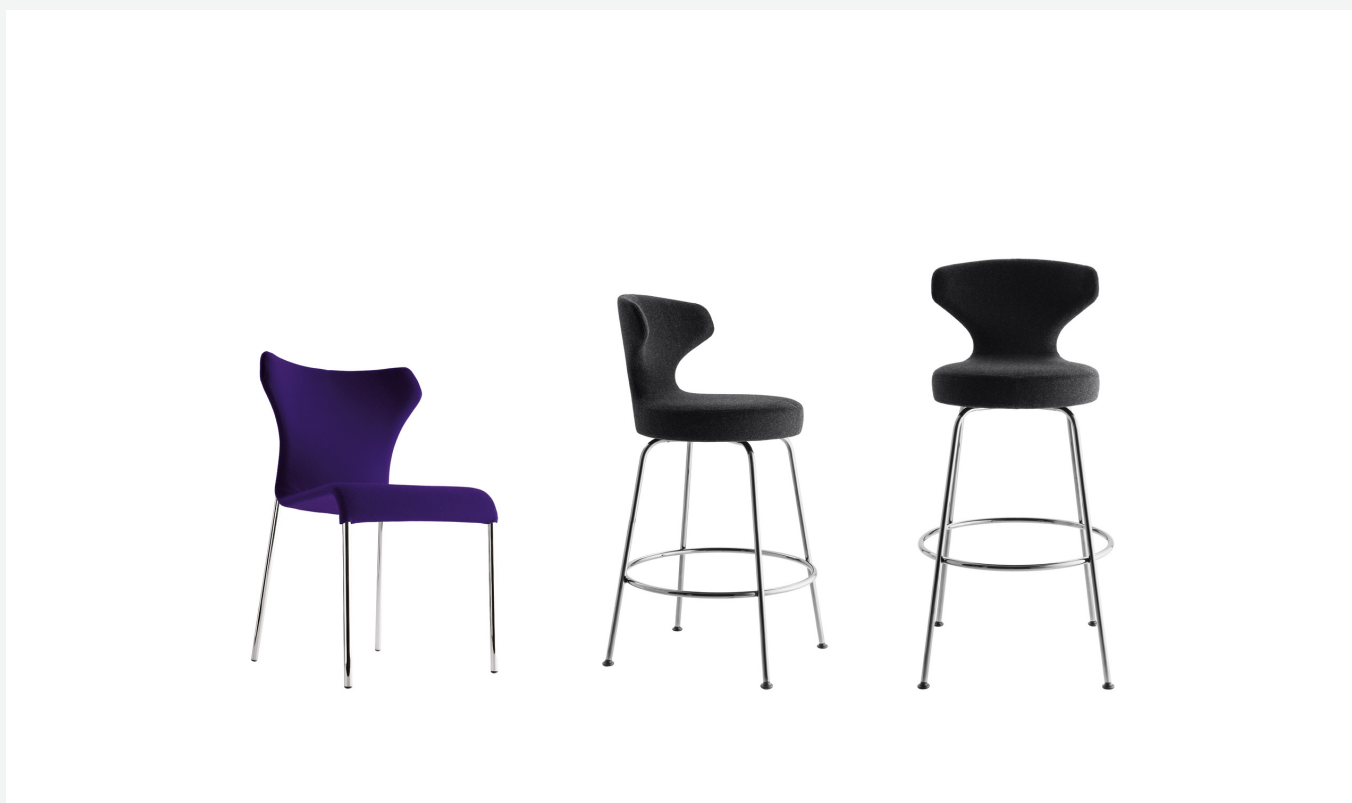


# Papilio

CHAIRS

2008

Naoto Fukasawa



## Description

A chair and stool in two heights, Papilio can be used in formal contexts, while also allowing for a more informal use by leaning on one of the back's "wings", inspired by those of a butterfly (or "Papilio" in Latin). The formal balance derives from the constant thickness of the shell and from the shape of the seat, which is sinuous in the upper part and then merges with the light steel frame. Upholstered in either leather or fabric, Papilio's cover can be removed using a metal zipper on the back, a functional and decorative detail that characterises the entire line of chairs of the same name.

## Technical information

**Internal frame**

thermoplastic material shell

**Internal frame upholstery**

Bayfit® flexible cold shaped polyurethane foam, polyester fibre cover

**Legs**

tubular steel and steel profiles

**Ferrules**

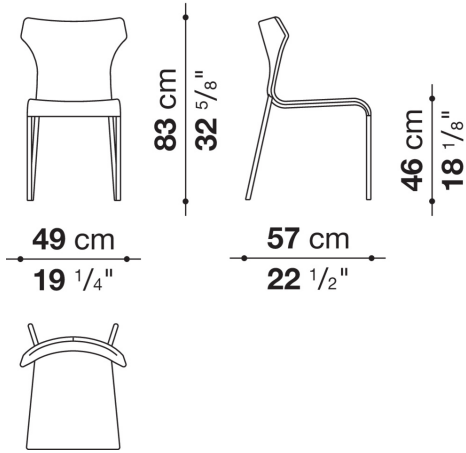
thermoplastic material

**Cover**

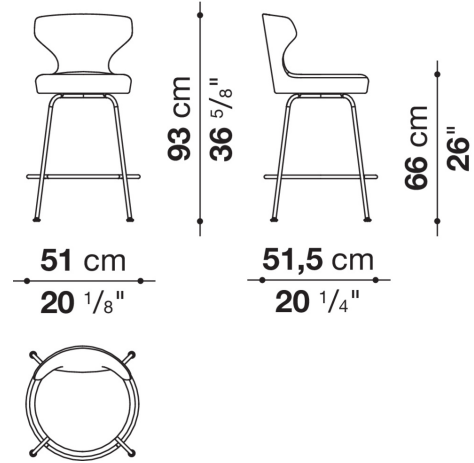
fabric or leather in limited categories

# Technical drawings

## PA



## SP51B



## SP51A

