

# luta

CHAIRS

2000

Antonio Citterio



## Description

---

luta in the armchair, chair and stool version is composed of a technical shell in metal mesh profiled on the edge, with or without armrests. The structure of the swivel chair is in aluminum with four or five spokes, with wheels and height adjustment; the structure of the chair and the stool is in steel rod.

## Technical information

---

**Shell**

pressed steel mesh, aluminium peripheral profile

**Upholstered seat and back**

thermoplastic material, shaped polyurethane

**Swivel support frame**

die-cast aluminium

**Support frame (IUT-IUST)**

tubular steel and steel profiles

**Seating height adjustment**

raising mechanism operated by a manually controlled gas-lift

**Rotation system**

damped swivel column

**Wheels**

plastic material for soft or hard surfaces

**Ferrules**

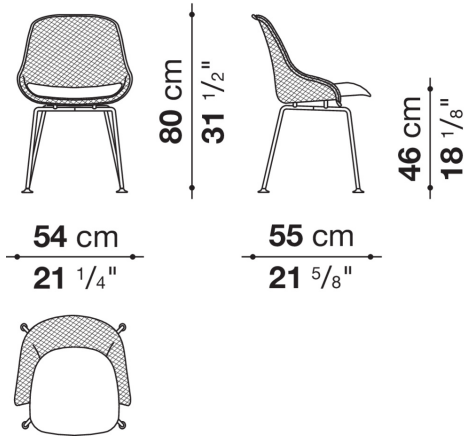
thermoplastic material

**Cover**

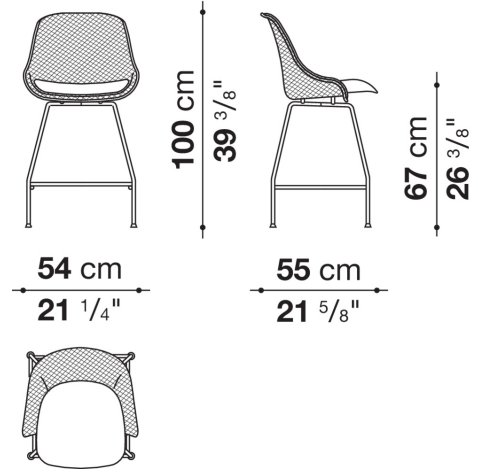
fabric or leather in limited categories

# Technical drawings

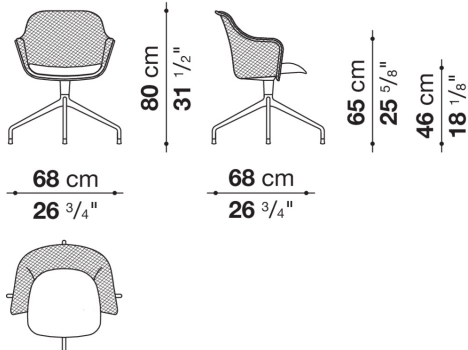
## IUT



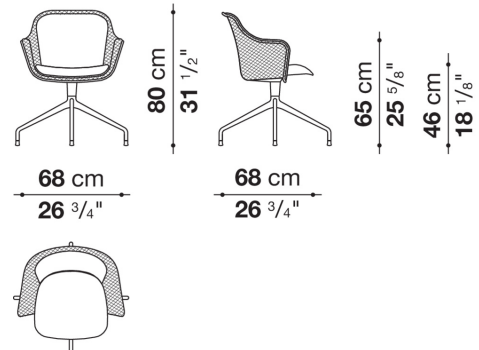
## IUST



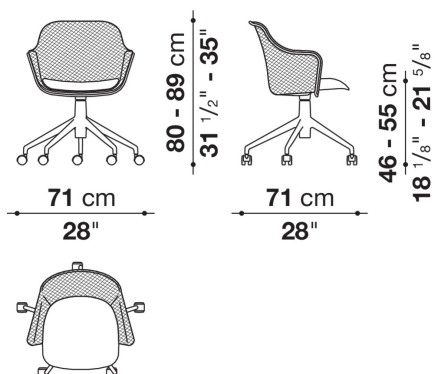
## IU4



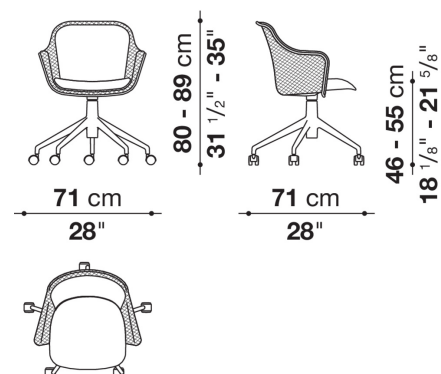
## IU4I

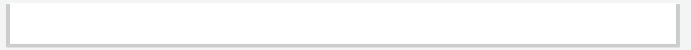
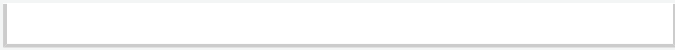


## IU5

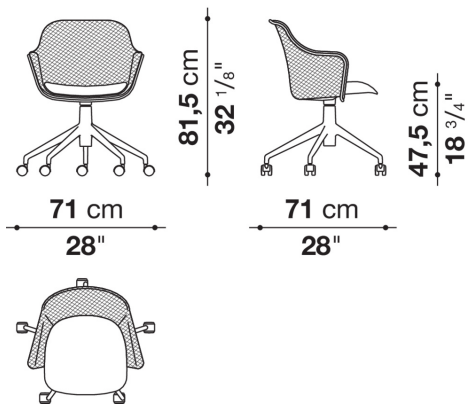


## IU5I





### IU5F



### IU5FI

