

# Bull

COMPLEMENTS

2019

Naoto Fukasawa



## Description

---

Bull is a multipurpose bench that reproduces on a reduced scale the essential design of the homonymous table with the characteristic detail of the slightly inclined round section legs. Available in two sizes, it is made of solid oak in various finishes and completed by round cushions with fabric or leather upholstery.

## Technical information

---

**Top**

solid wood, veneered wood particles panel

**Frame**

solid wood

**Support crosspiece**

steel

**Feet**

plastic material

**Cushion**

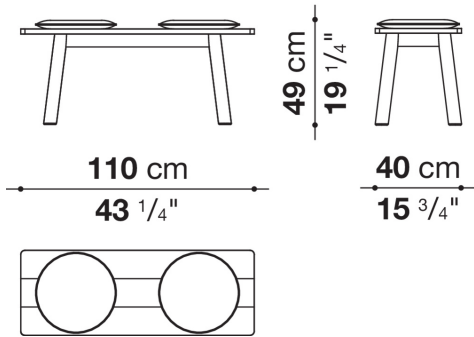
shaped polyurethane, polyester fibre

**Cushion cover**

fabric or leather

# Technical drawings

## TBU110



## TBU190

