

# Eucalipto

LIVING STORAGE UNITS

2017

Antonio Citterio



## Description

---

Eucalipto is a series of units designed for the living room, dining room or wherever a special focus is required. Eucalipto enriches B&B Italia's collection with a sophisticated touch suggesting original glamorous combinations. For the carcass acrylic finish that develops in three variants with different combinations for doors and drawers.

## Technical information

---

**External and internal frame**

MDF and wood particles panels with continuing cover in glossy acrylic resin

**Door and drawer front**

MDF wood fibre panels with mirror, glass or wood veneered

**Flap door compartment internal frame (EU4-EU5)**

reflective material

**Drawer frame**

MDF wood fibre panel and bottom base in wood particles with melamine faced cover

**Open compartment (EU15-EU25)**

veneered MDF wood fibre panels

**Support frame**

metallic profile with legs in die-cast aluminium

**Handle**

die-cast aluminium

**Adjustable feet**

thermoplastic material

**Internal shelf**

glass

**Extractable tray**

aluminium profiles and bottom base in wood particles with melamine faced cover

**Cable flap**

aluminium

**LED lamp (EUL9-EUL12)**

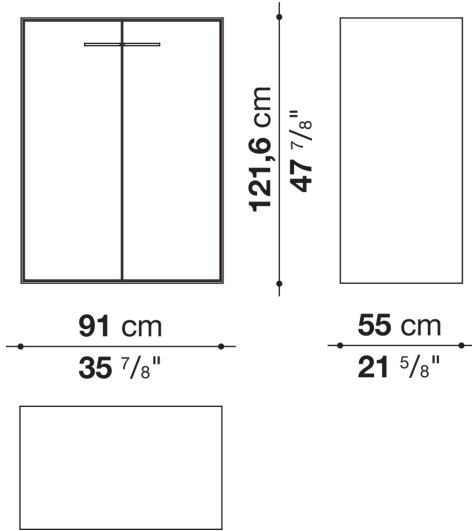
version EU (CEE) 220-240V 50Hz

version U.K. (UK) 220-240V 50Hz

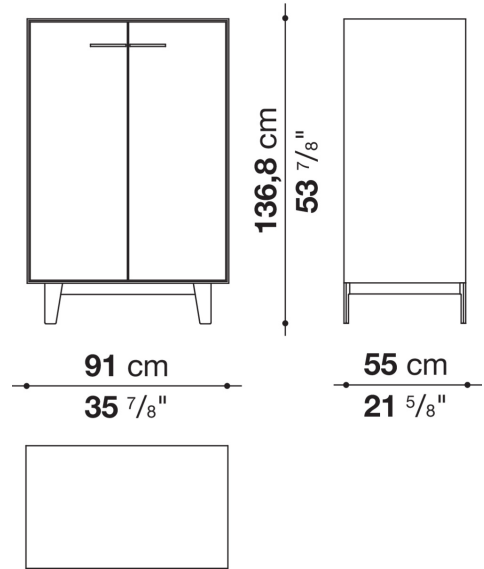
version U.S.A. (UL) 110-120V 50Hz

# Technical drawings

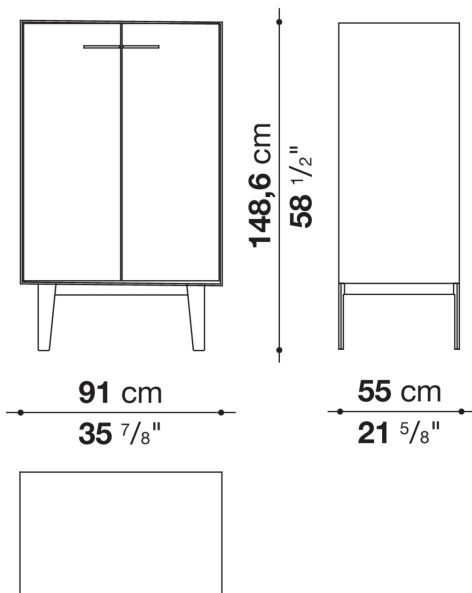
## EU1



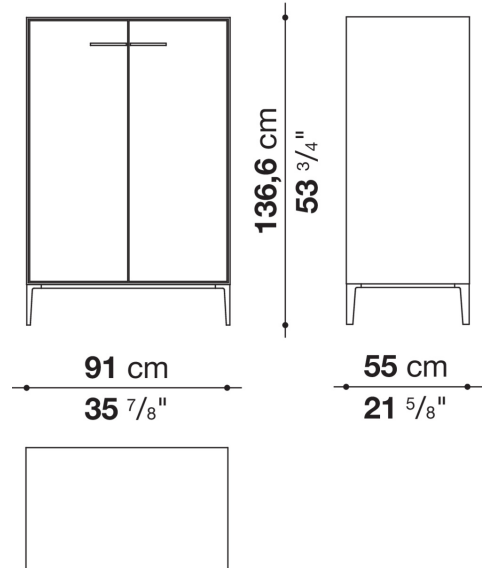
## EU1B



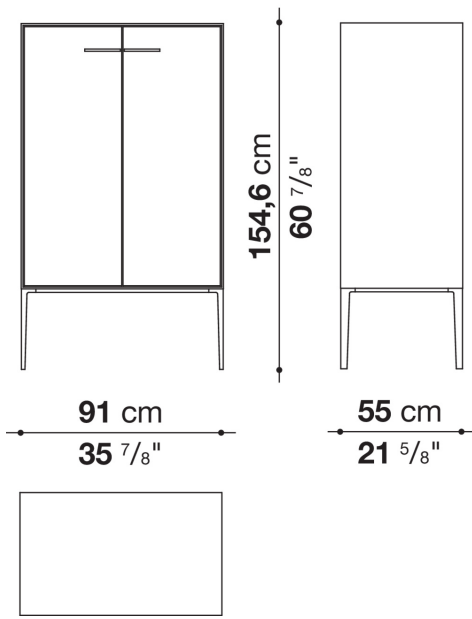
## EU1A



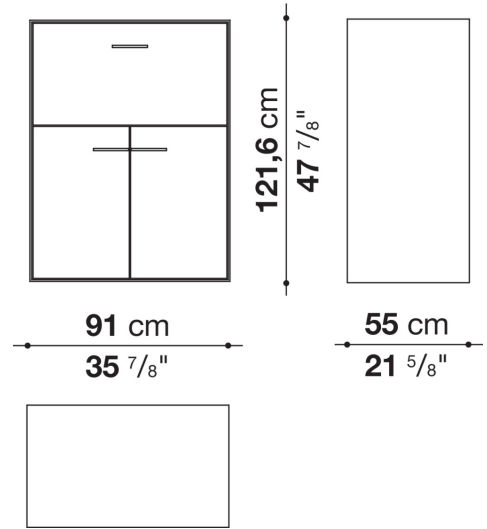
## EU1C



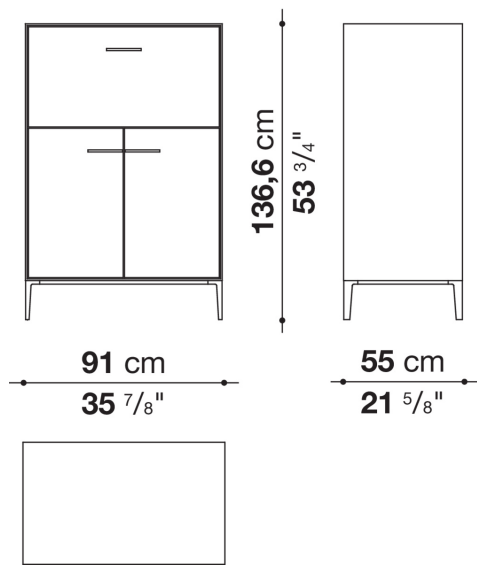
## EU1D



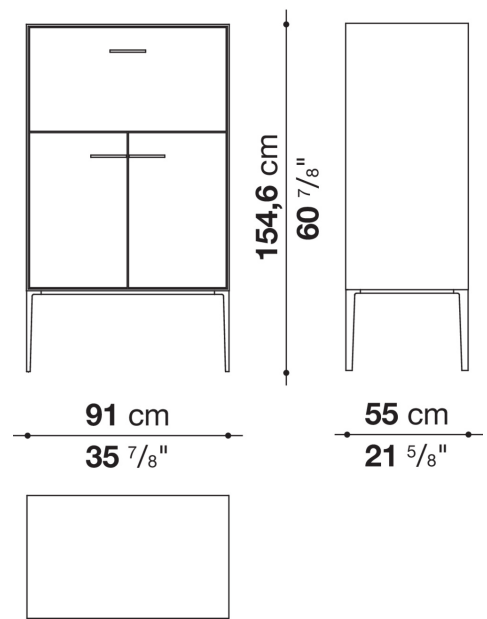
## EU4



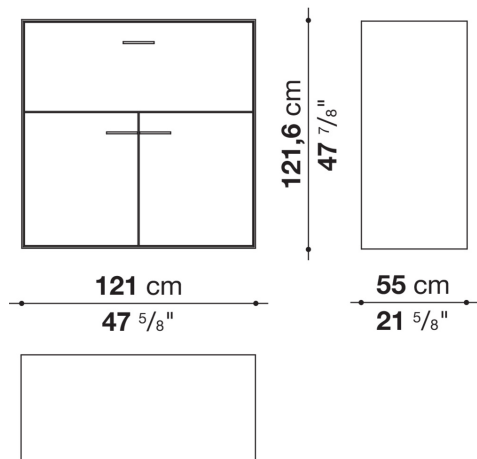
### EU4C



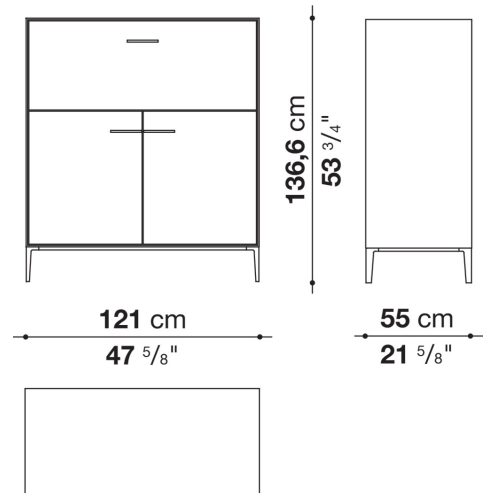
### EU4D



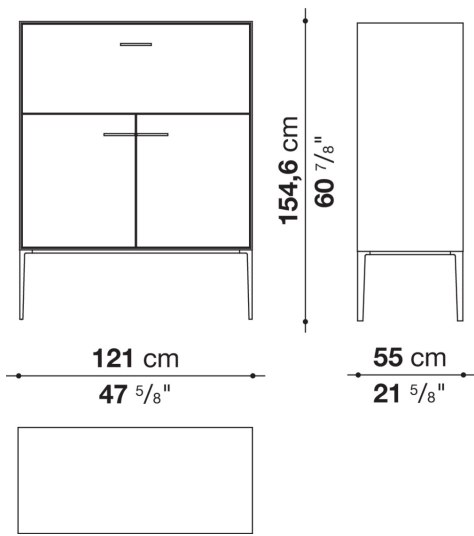
### EU5



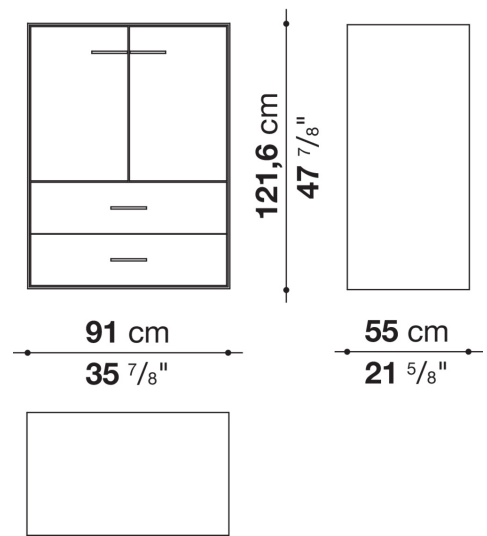
### EU5C



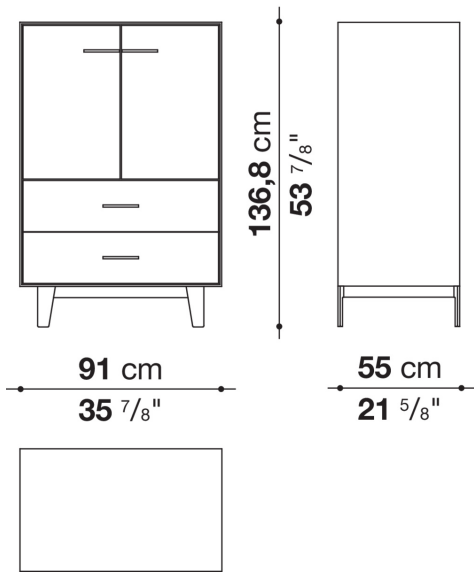
### EU5D



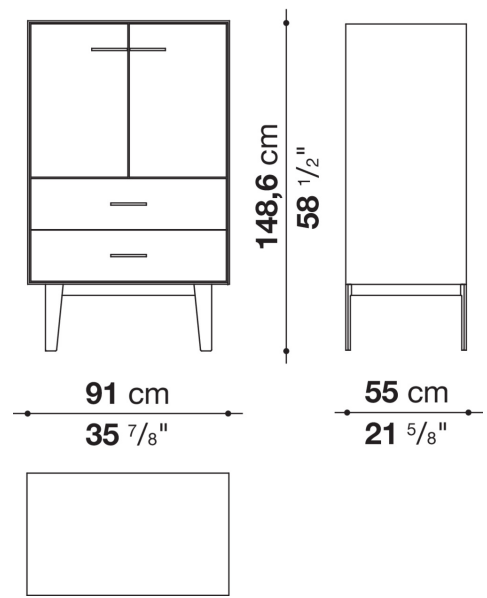
### EU2



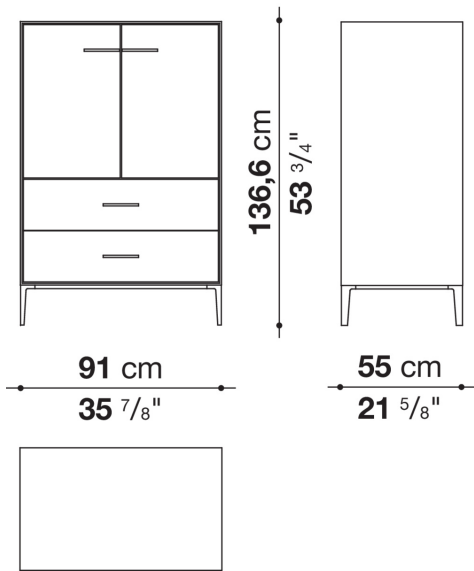
### EU2B



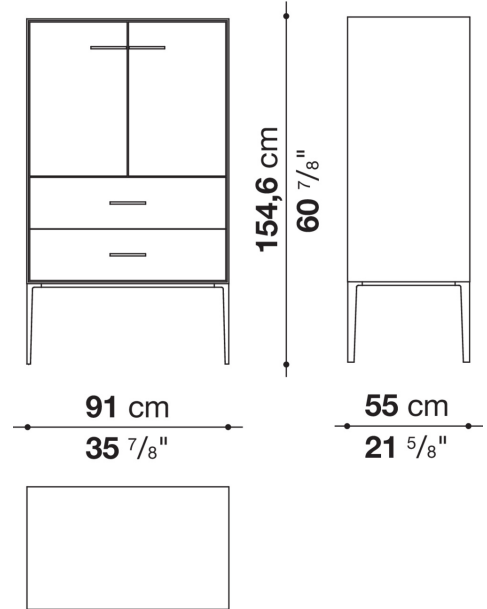
### EU2A



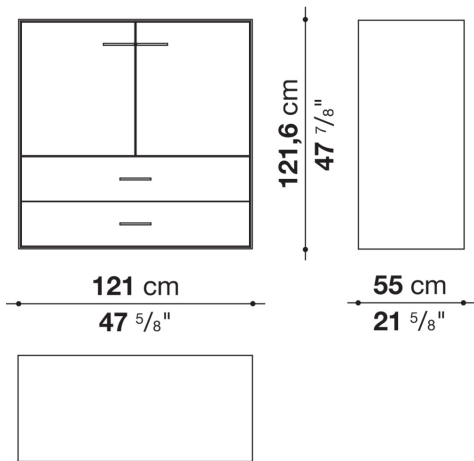
### EU2C



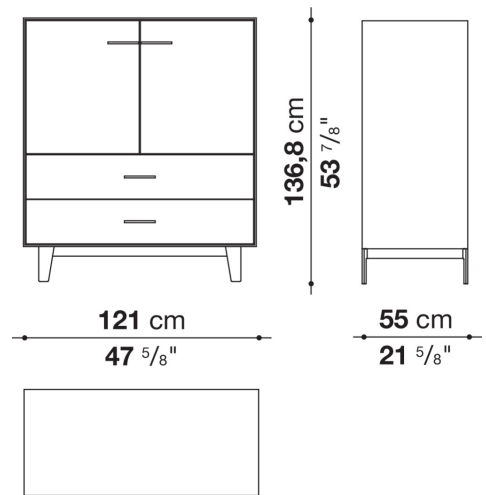
### EU2D



### EU3

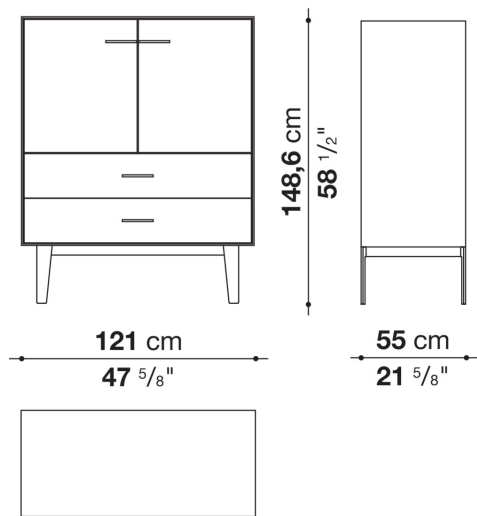


### EU3B

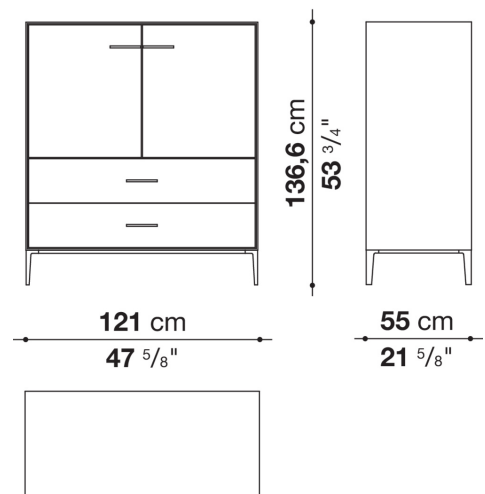




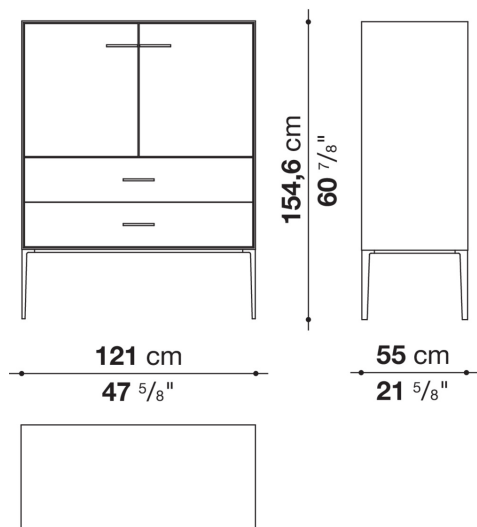
### EU3A



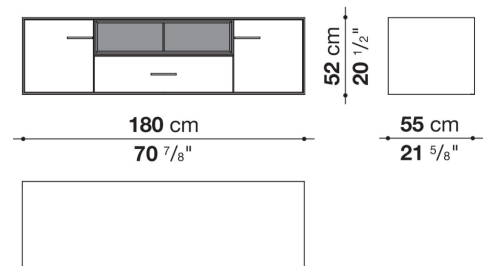
### EU3C



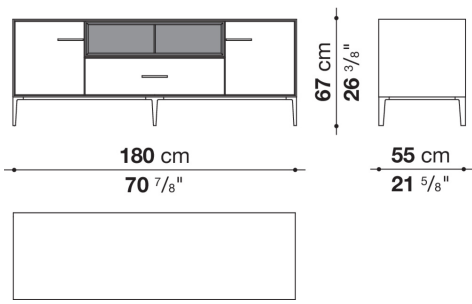
### EU3D



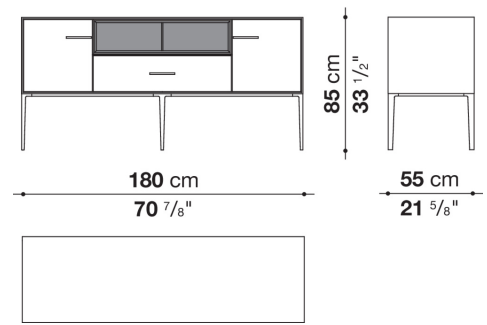
### EU15



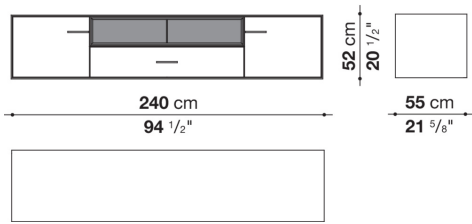
### EU15C



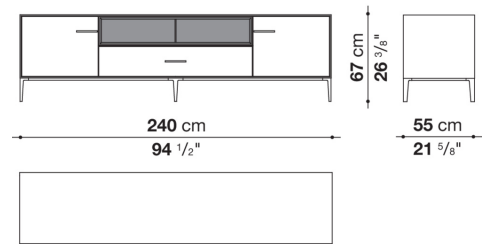
### EU15D



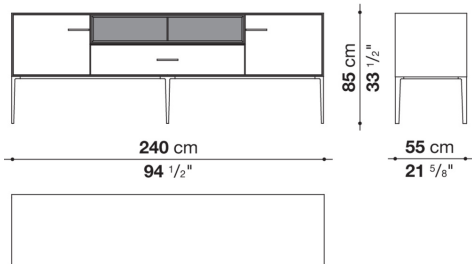
**EU25**



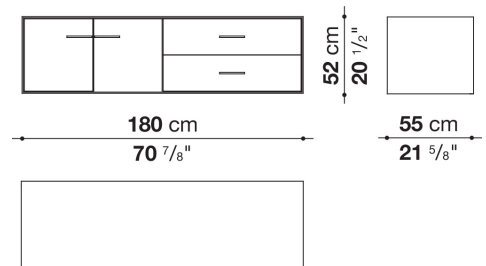
**EU25C**



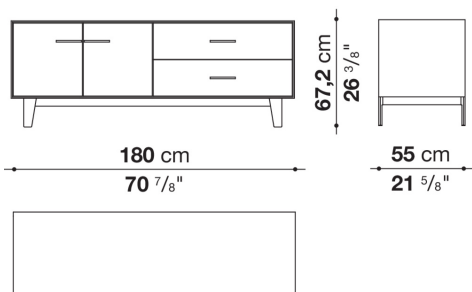
**EU25D**



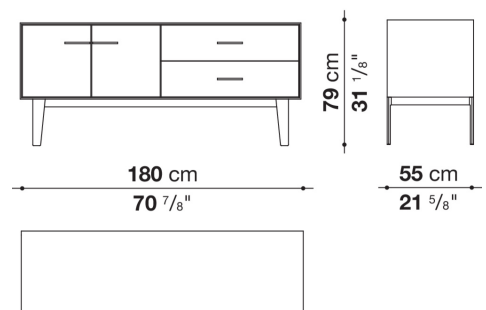
**EU12S**



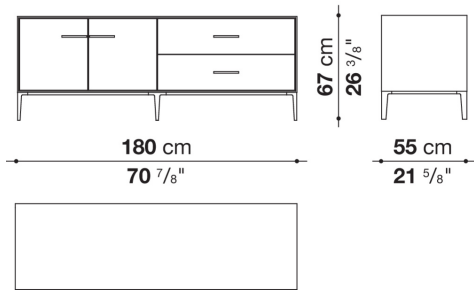
**EU12BS**



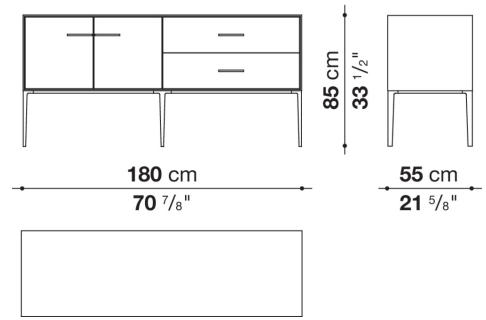
**EU12AS**



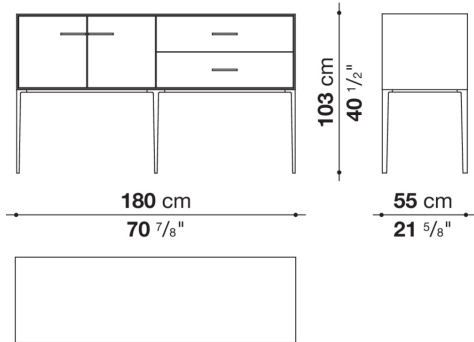
**EU12SC**



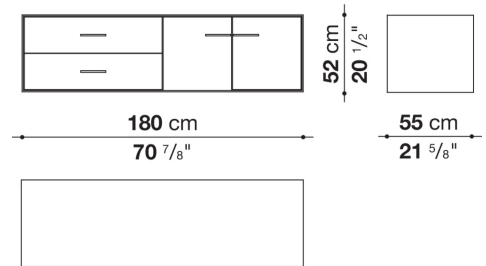
**EU12SD**



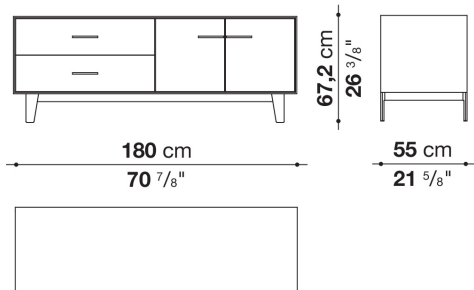
**EU12SE**



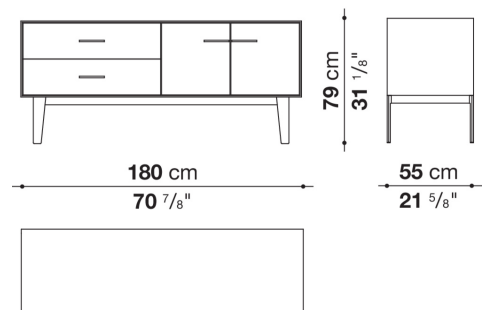
**EU12D**



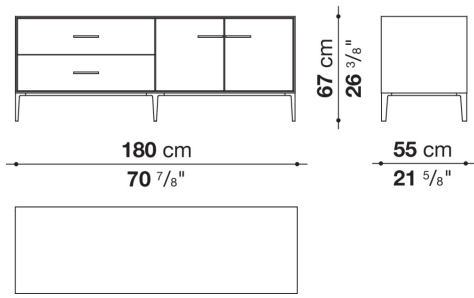
**EU12BD**



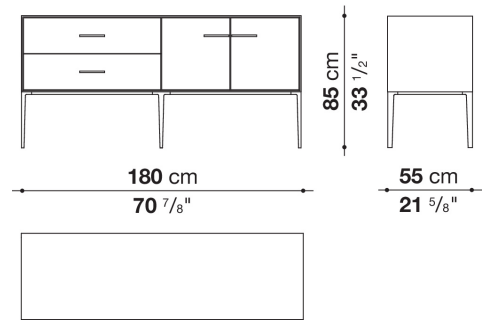
**EU12AD**



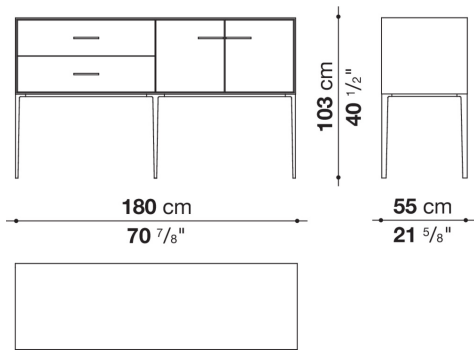
**EU12DC**



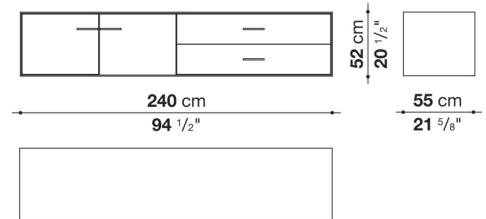
**EU12DD**



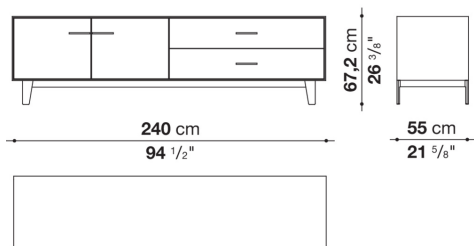
**EU12DE**



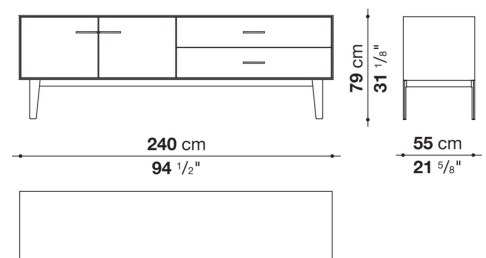
**EU22S**



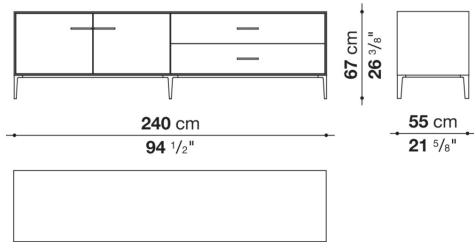
**EU22BS**



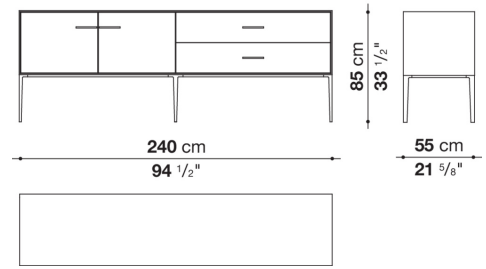
**EU22AS**



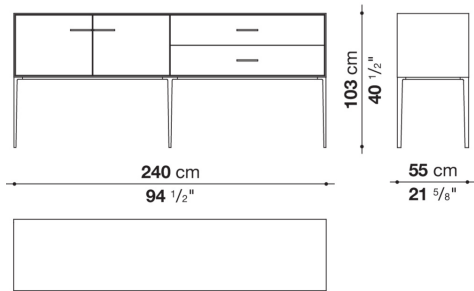
**EU22SC**



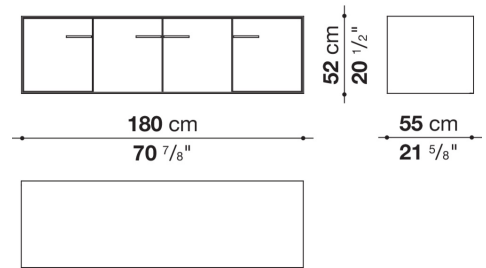
**EU22SD**



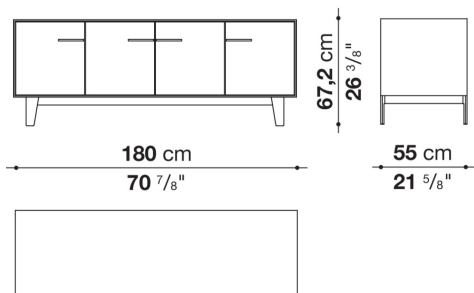
**EU22SE**



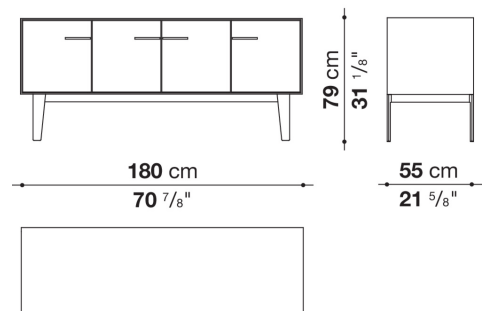
**EU11**



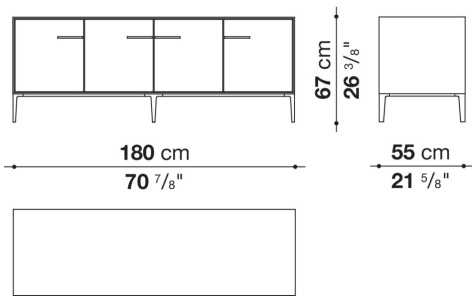
**EU11B**



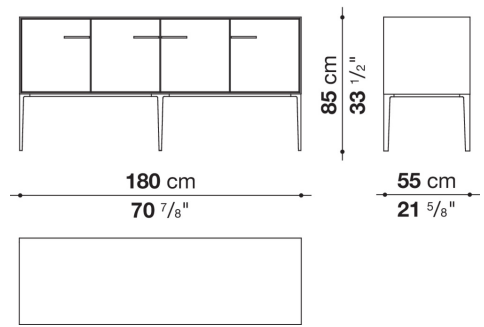
**EU11A**



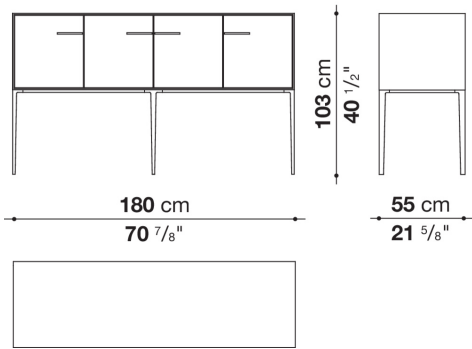
**EU11C**



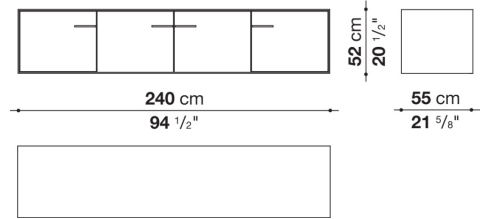
**EU11D**



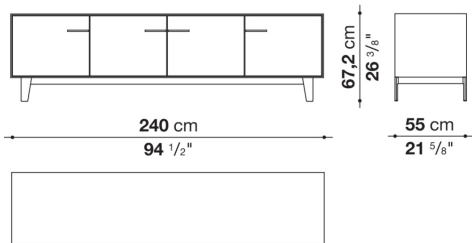
**EU11E**



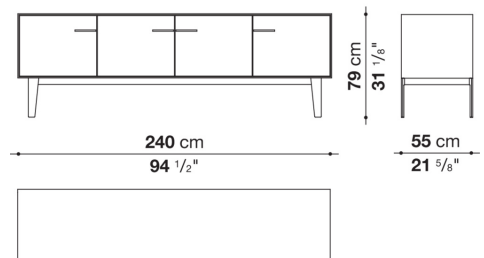
**EU21**



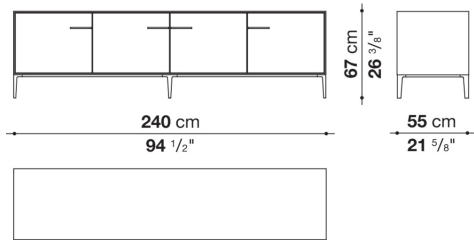
**EU21B**



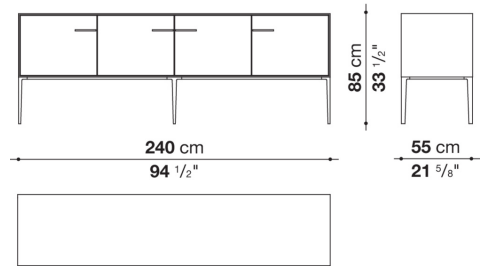
**EU21A**



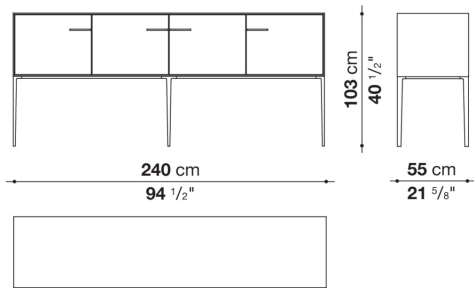
**EU21C**



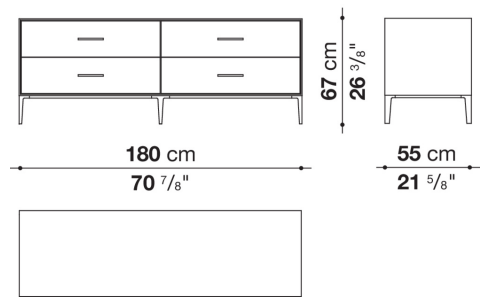
**EU21D**



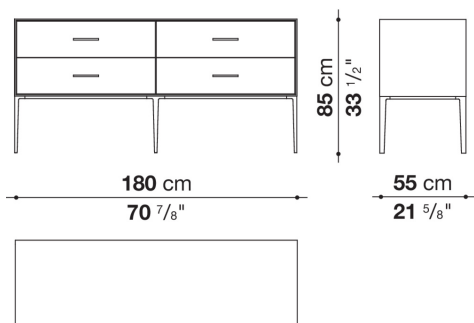
**EU21E**



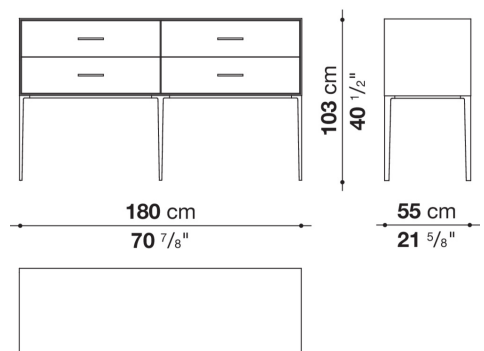
**EU13C**



**EU13D**

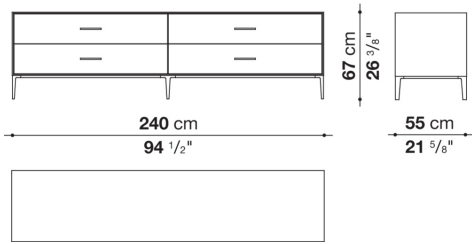


**EU13E**

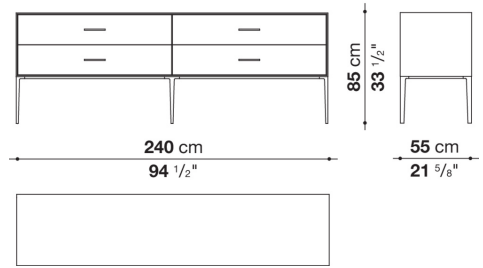




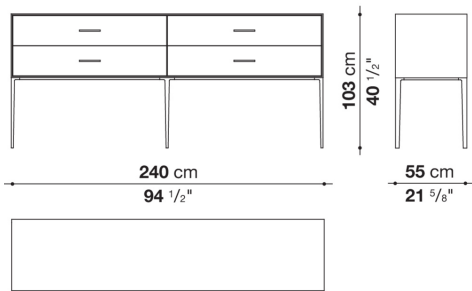
**EU23C**



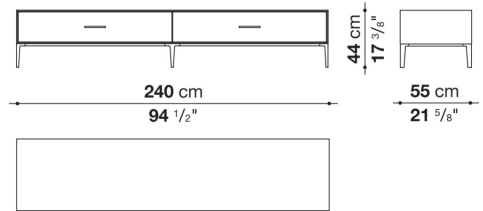
**EU23D**



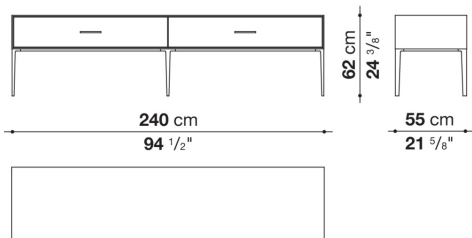
**EU23E**



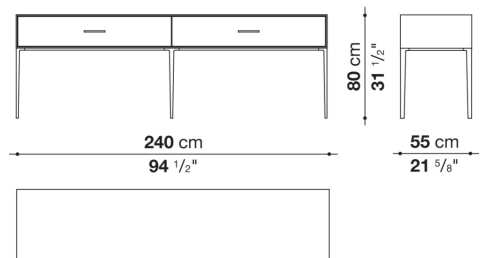
**EU24C**



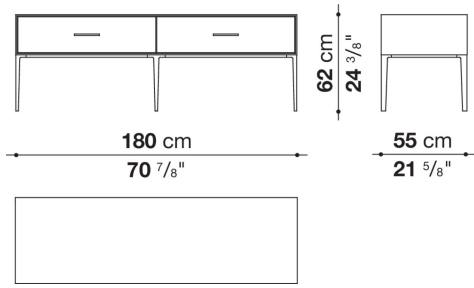
**EU24D**



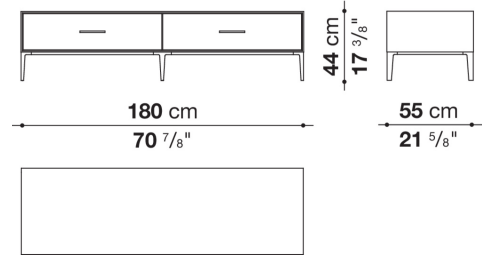
**EU24E**



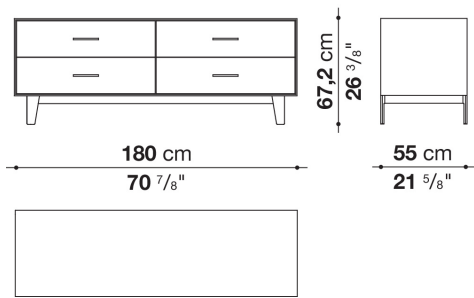
**EU14D**



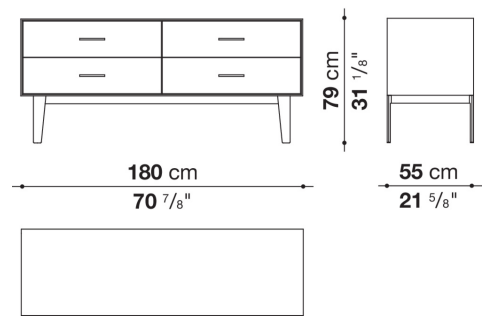
**EU14C**



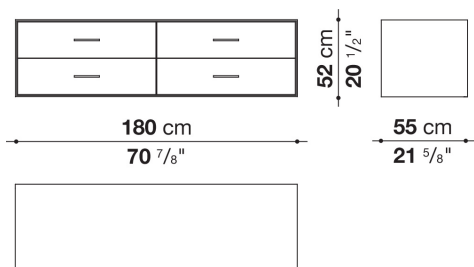
**EU13B**



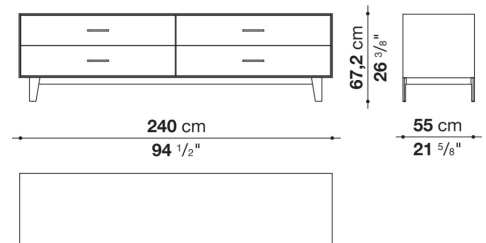
**EU13A**



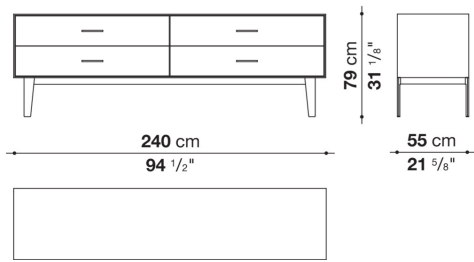
**EU13**



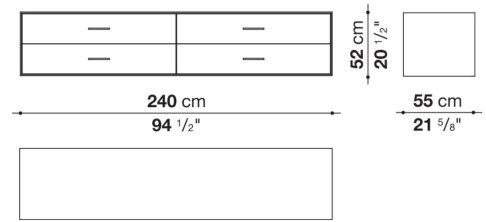
**EU23B**



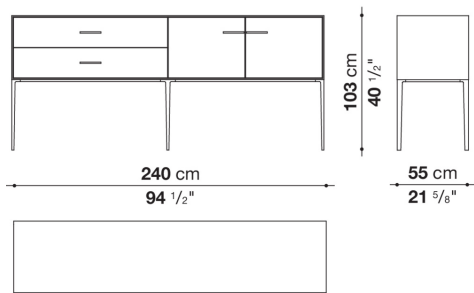
**EU23A**



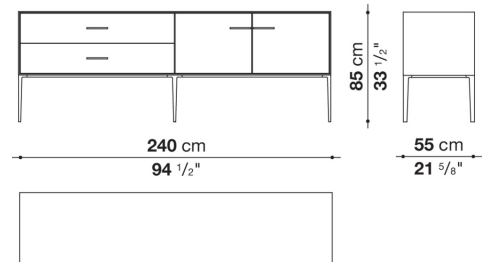
**EU23**



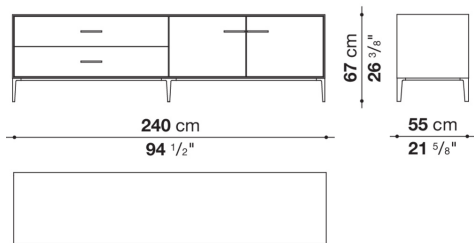
**EU22DE**



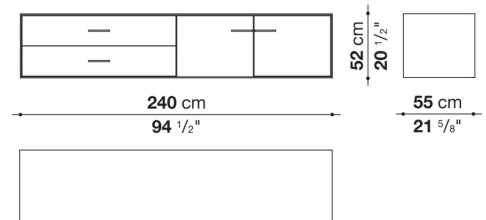
**EU22DD**



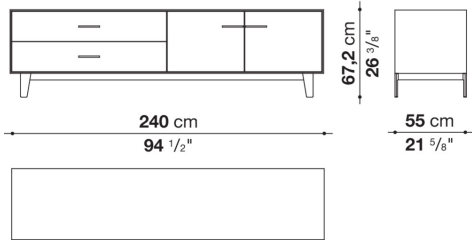
**EU22DC**



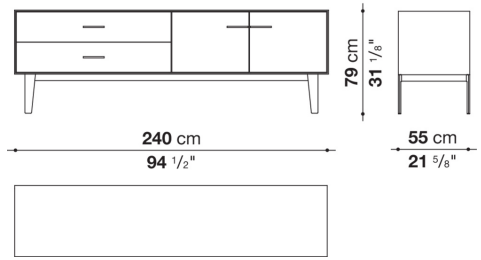
**EU22D**



**EU22BD**



**EU22AD**



**EU14E**

