

# Richard

SOFAS

2016

Antonio Citterio



---

## Description

The Richard seating system stands out for its balanced and contemporary design, evocative of classic atmospheres. Its modularity is reflected by the presence of several elements, all in two depths: one for more formal and contained solutions, and the other for larger, more informal compositions. The system's extreme flexibility and the ease with which the different elements can be assembled together allows the living space to be interpreted in the most varied configurations, from formal to more relaxed, with seats, benches, ottomans and chaise longues. The wide range of covers, in fabric with matching tone-on-tone or contrasting textile profiles, or in leather with profiles in the same material, allows for even greater customisation, offering monochromatic or contrasting solutions. The frame is underscored at the base by a metal profile. Optional cushions in various sizes add to the overall comfort.

# Technical information

---

**Internal frame**

tubular steel and steel profiles

**Internal frame upholstery**

Bayfit® flexible cold shaped polyurethane foam, polyester fibre

**Seat cushion upholstery**

shaped polyurethane of different density, visco-elastic polyurethane, sterilized down, polyester fibre

**Back cushion upholstery**

polyester fibre, shaped polyurethane, sterilized down

**Lower edge**

die-cast aluminium and extrusions

**Ferrules**

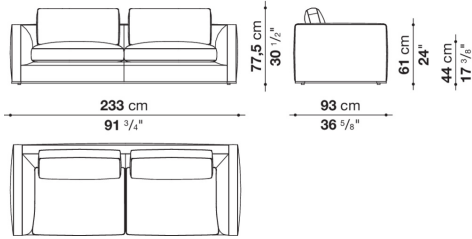
thermoplastic material

**Cover**

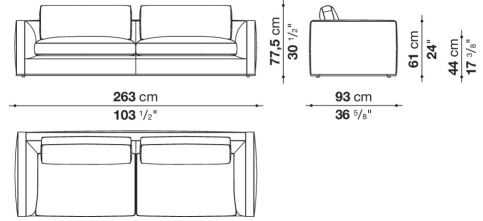
fabric (profiles in Bellano or Bormio fabric) or leather

# Technical drawings

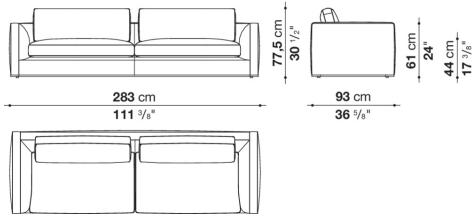
**9RA230**



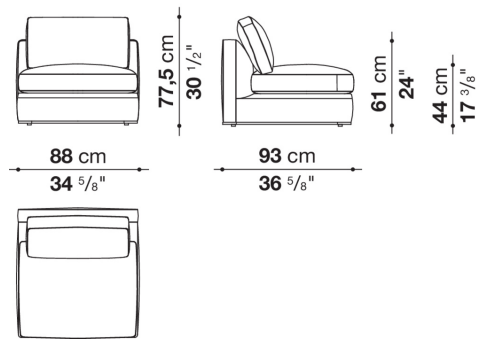
**9RA260**



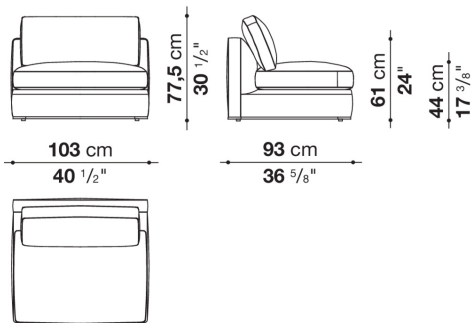
**9RA280**



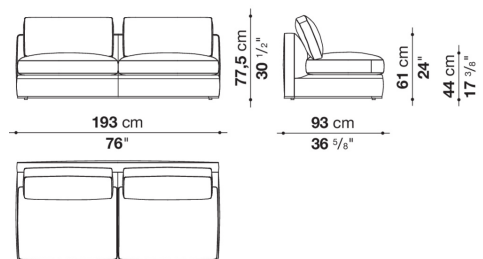
**9RA85C**



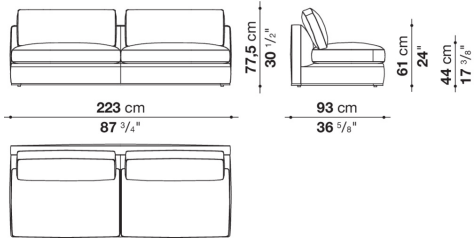
**9RA100C**



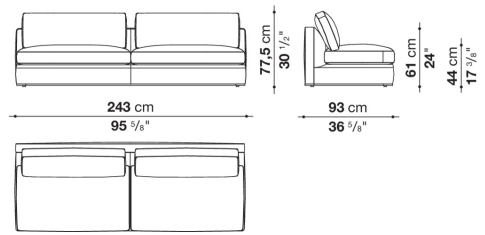
**9RA190C**



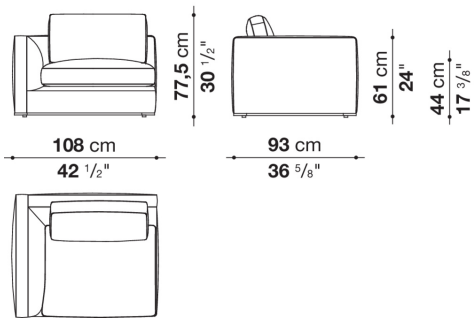
9RA220C



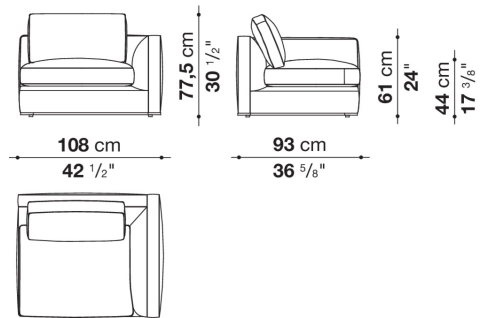
9RA240C



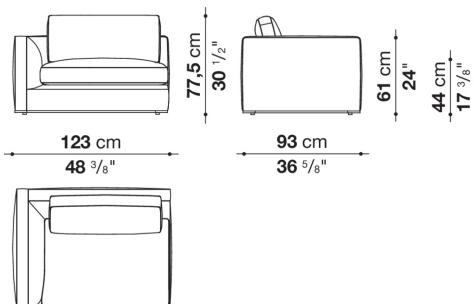
9RA105TS



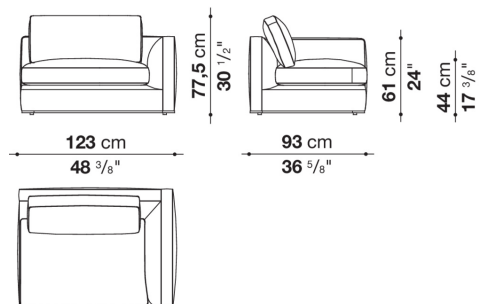
9RA105TD



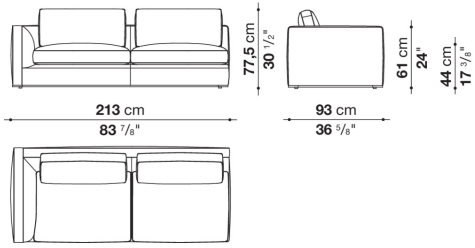
9RA120TS



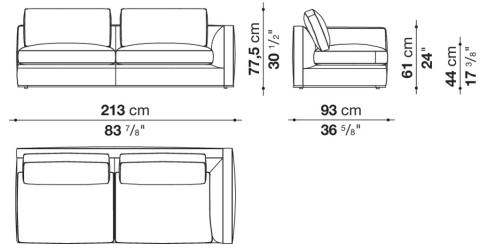
9RA120TD



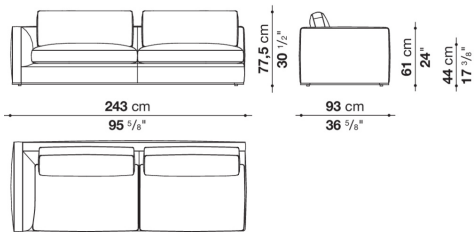
9RA210TS



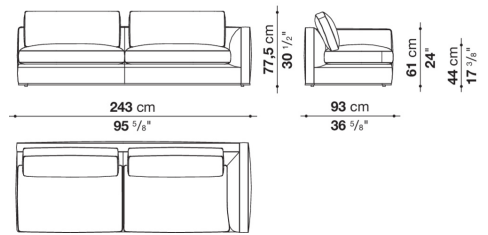
9RA210TD



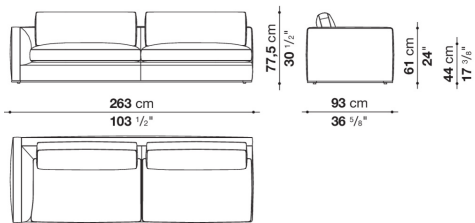
9RA240TS



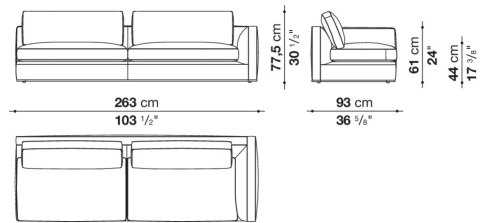
9RA240TD



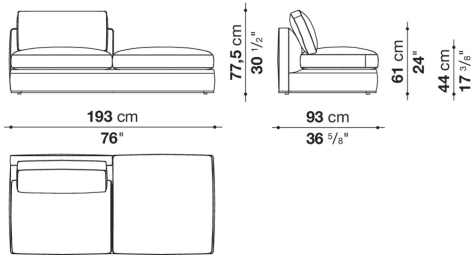
9RA260TS



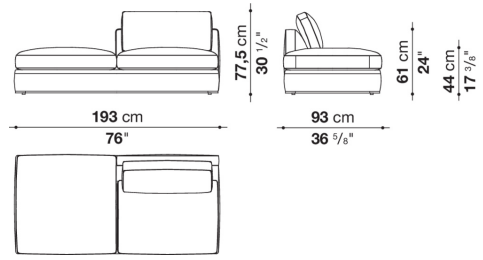
9RA260TD



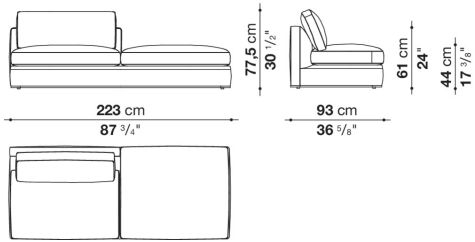
9RA190PS



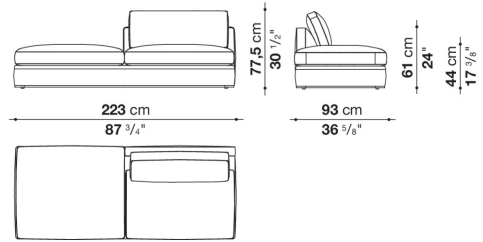
9RA190PD



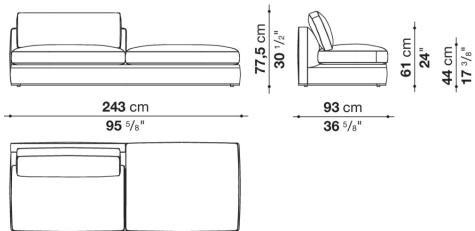
9RA220PS



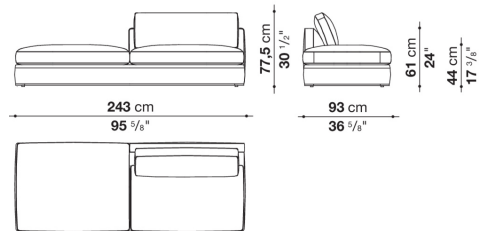
9RA220PD



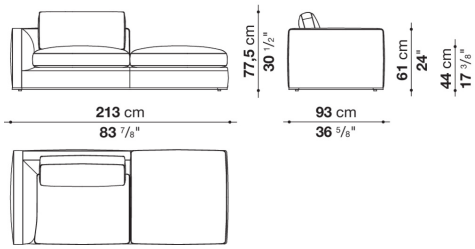
9RA240PS



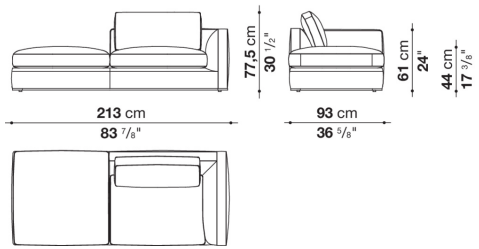
9RA240PD



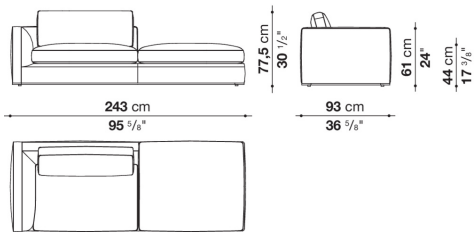
9RA210TPS



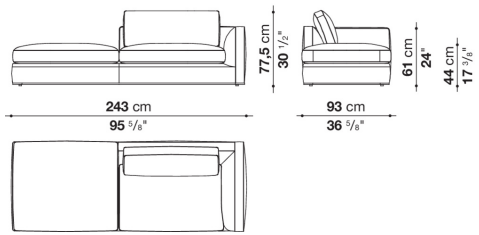
9RA210TPD



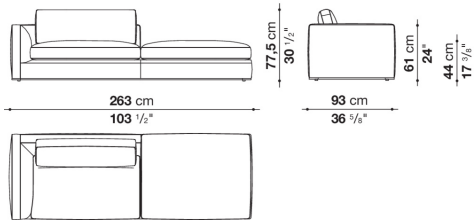
9RA240TPS



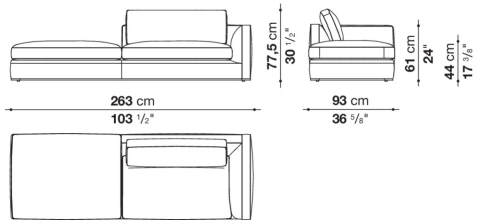
9RA240TPD



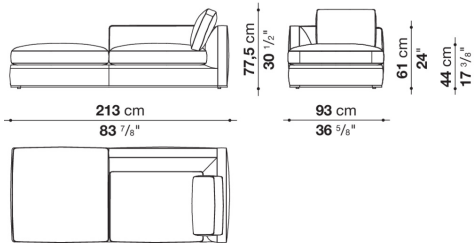
9RA260TPS



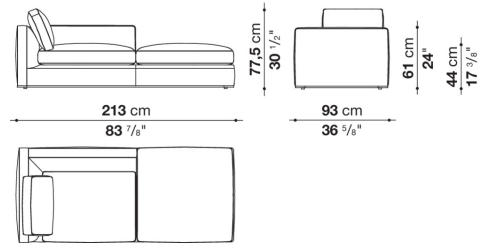
9RA260TPD



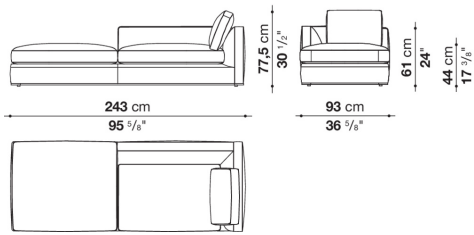
9RA210LS



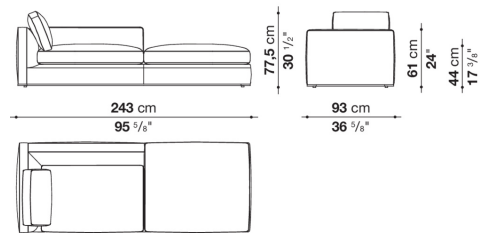
9RA210LD



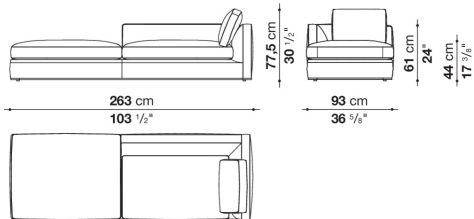
9RA240LS



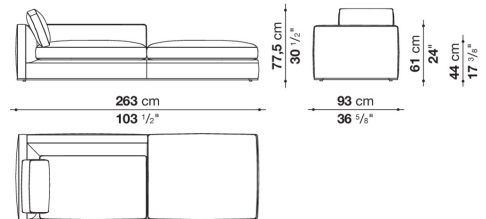
9RA240LD



9RA260LS

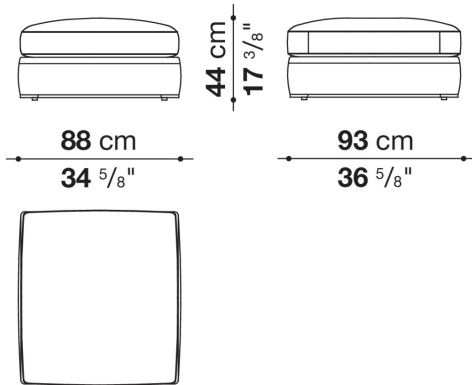


9RA260LD

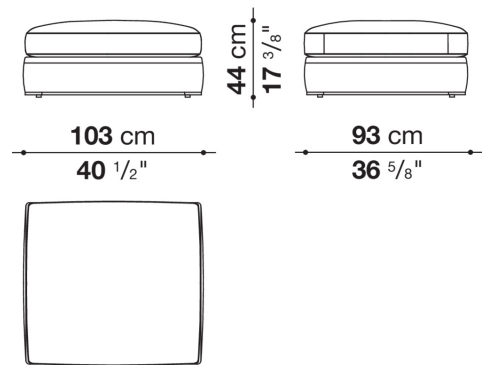




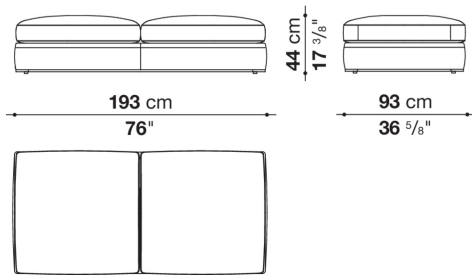
### 9RA85P



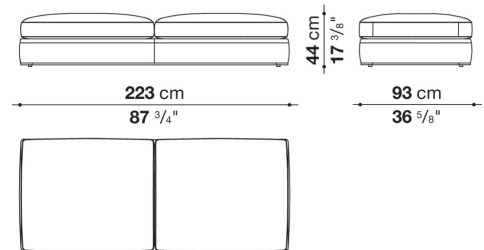
### 9RA100P



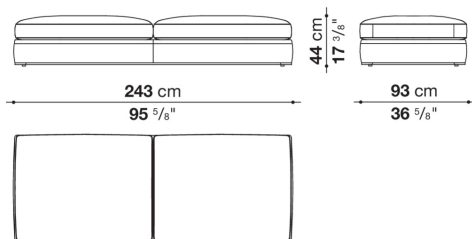
### 9RA190P



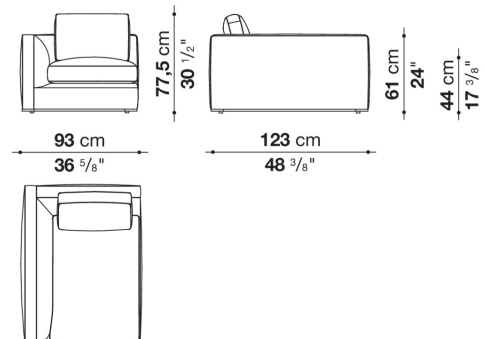
### 9RA220P



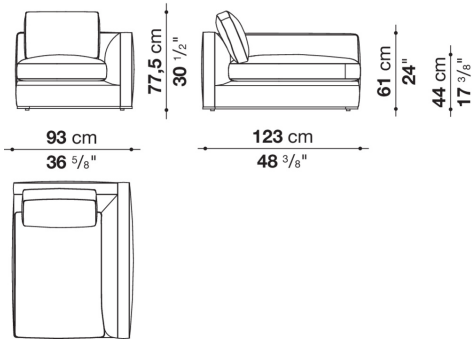
### 9RA240P



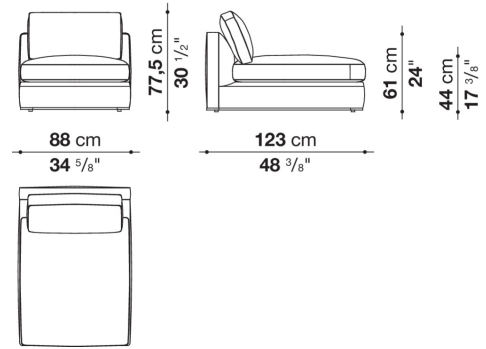
### RA90TS



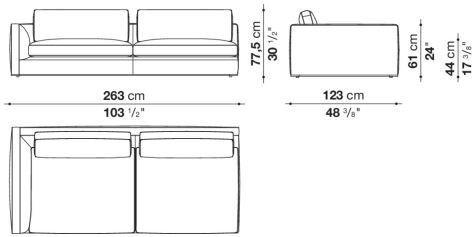
**RA90TD**



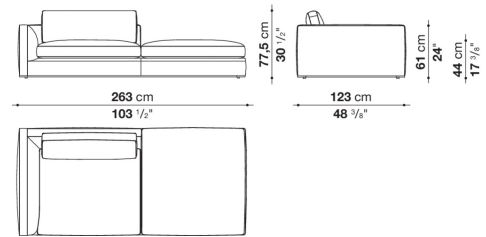
**RA85C**



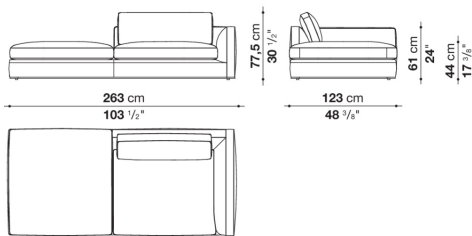
**RA260TS**



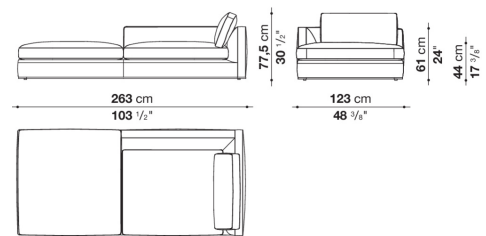
**RA260TPS**



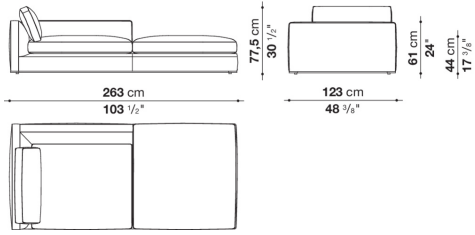
**RA260TPD**



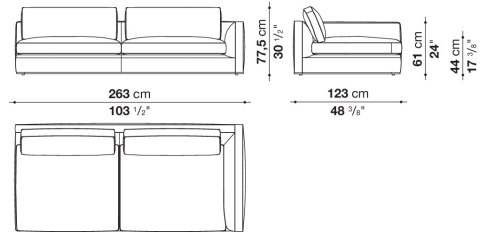
**RA260LS**



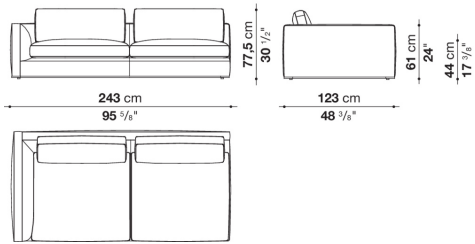
RA260LD



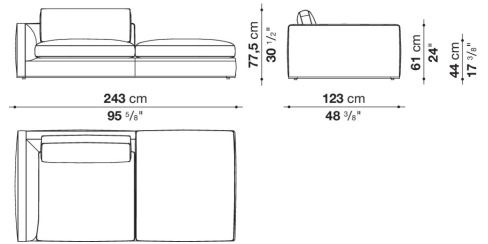
RA260TD



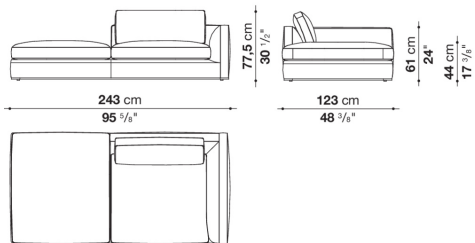
RA240TS



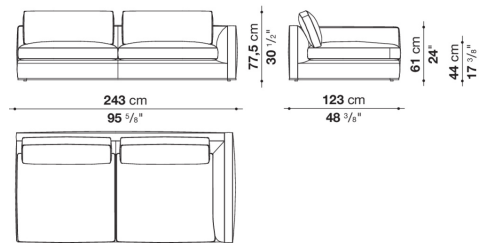
RA240TPS



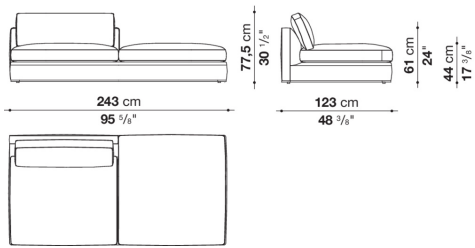
RA240TPD



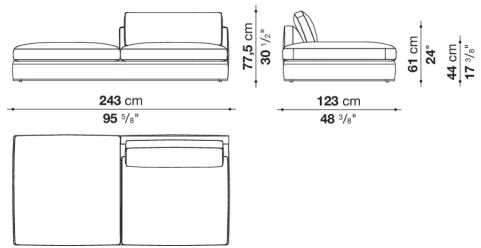
RA240TD



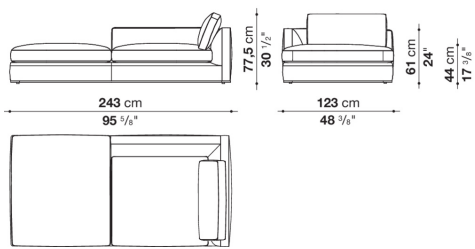
RA240PS



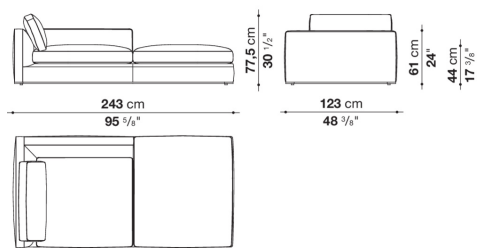
RA240PD



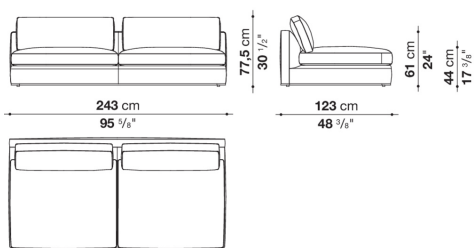
RA240LS



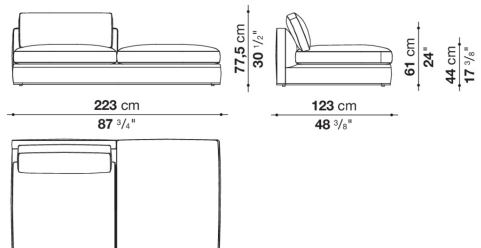
RA240LD



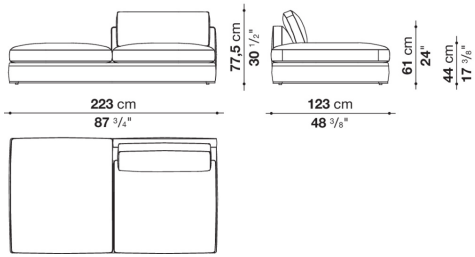
RA240C



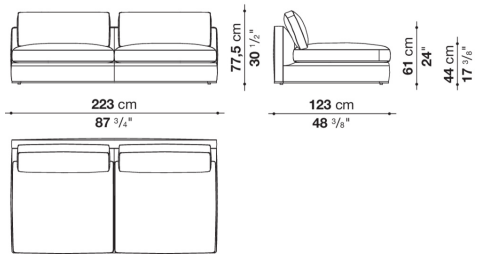
RA220PS



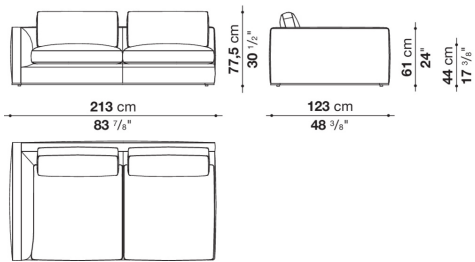
**RA220PD**



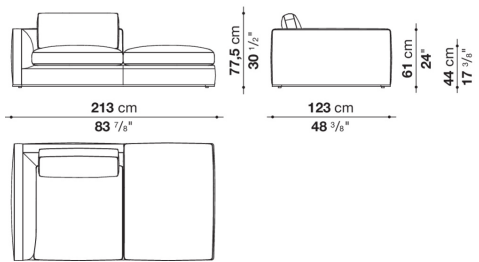
**RA220C**



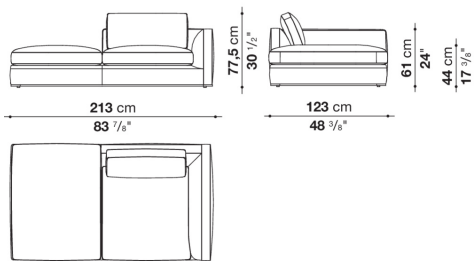
**RA210TS**



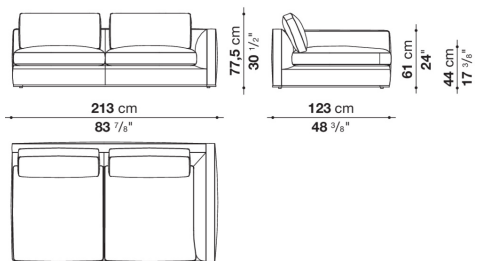
**RA210TPS**



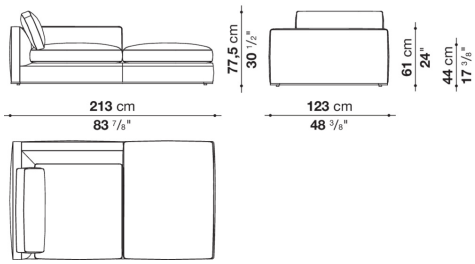
**RA210TPD**



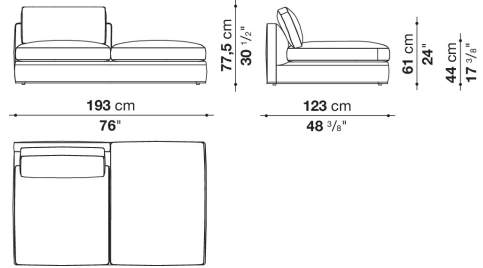
**RA210TD**



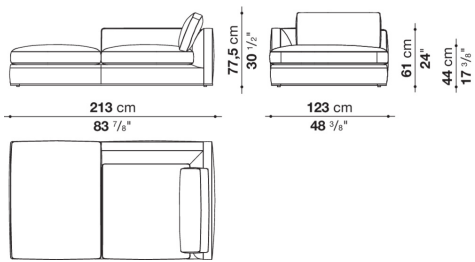
**RA210LD**



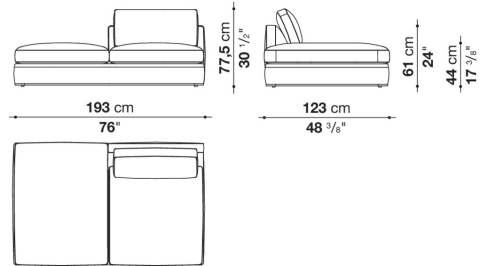
**RA190PS**



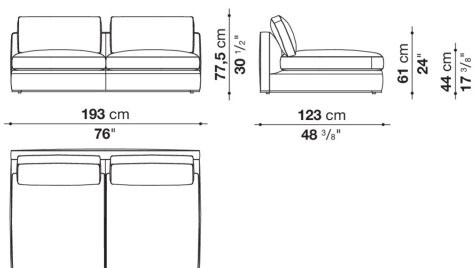
**RA210LS**



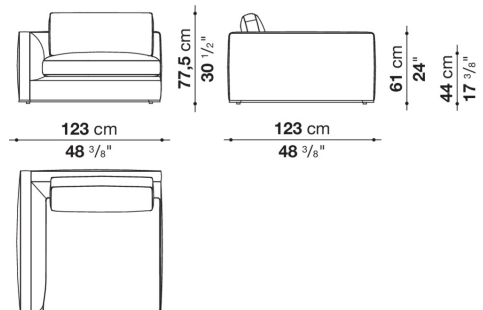
**RA190PD**



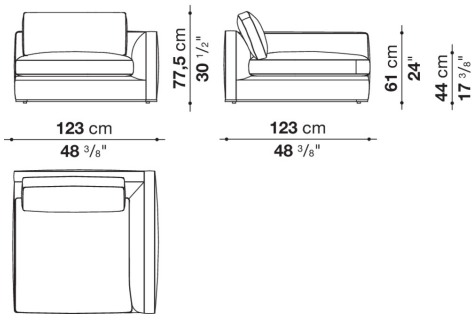
**RA190C**



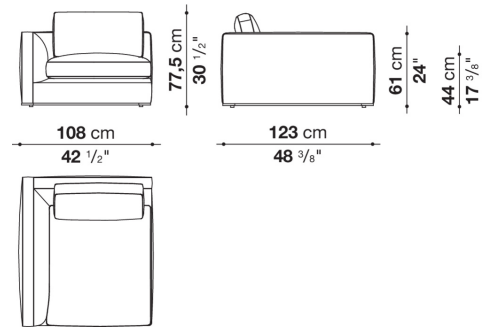
**RA120TS**



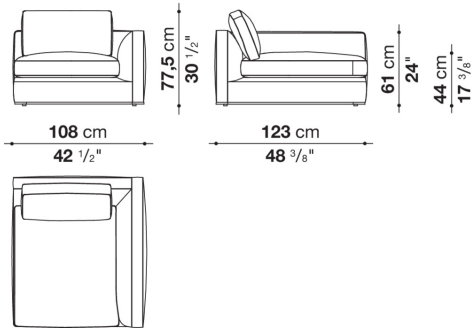
**RA120TD**



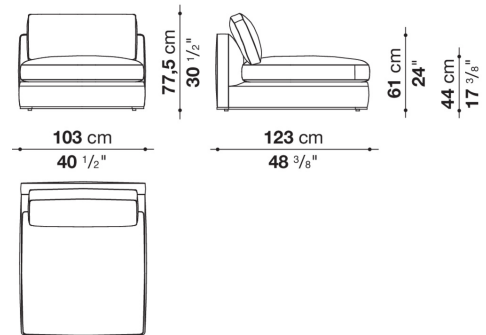
**RA105TS**



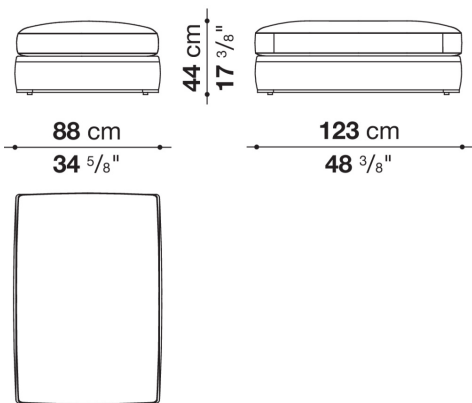
**RA105TD**



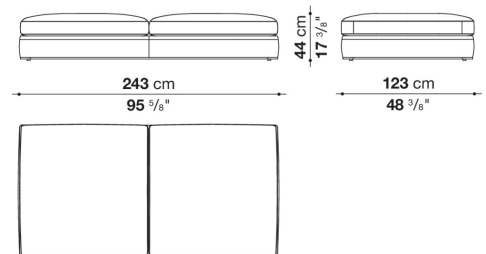
**RA100C**



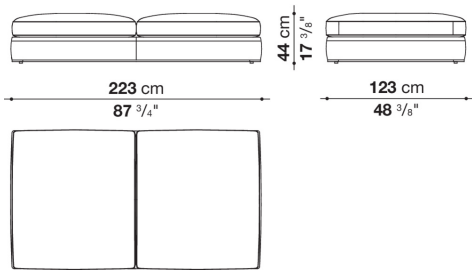
**RA85P**



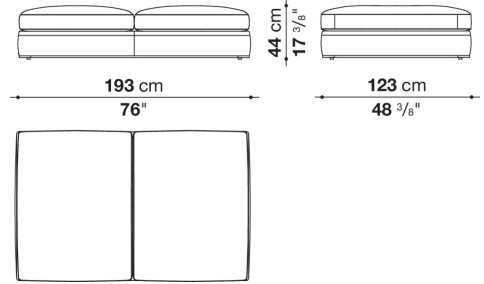
**RA240P**



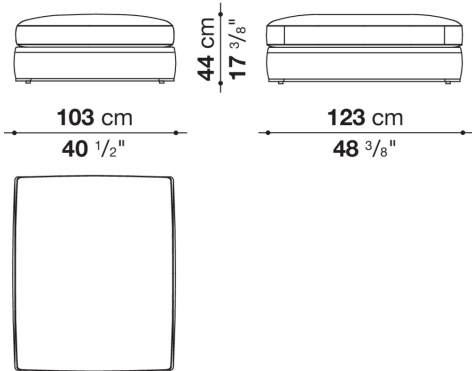
RA220P



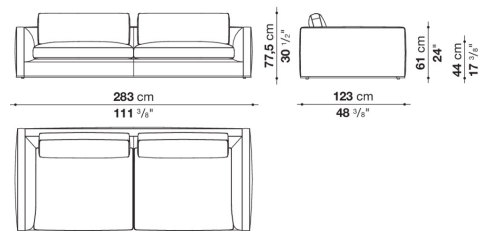
RA190P



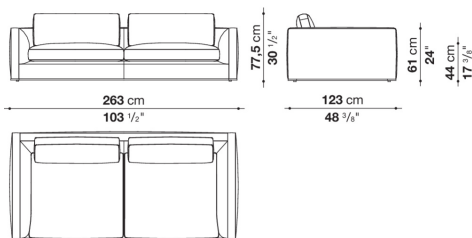
RA100P



RA280



RA260



RA230

