

---

# Tufty-Too

SOFAS

2011

Patricia Urquiola



## Description

---

A development of the Tufty-Time system, Tufty-Too – in fabric or leather – stands out for a perceptible feeling of softness along with a decorative quality based on a high-quality tailoring finish. This contemporary proposal makes reference to the '60s and' 70s: the citation of the capitonné style lies in the matching or contrasting hues of the cover seams, which become a distinctive feature. The entire line is marked by exceptional modularity and absolute compositional freedom. Numerous elements make up the system, starting with an ottoman as the basic piece, which is then accompanied by central, corner and terminal elements with a low or high armrest. These elements are used to invent traditional sofas, sofas with chaise longue, corner sofas and island elements that provide a 360° seating solution.

## Technical information

---

**Internal frame**

tubular steel and steel profiles

**Internal frame upholstery**

Bayfit® flexible cold shaped polyurethane foam, polyester fibre cover

**Back cushion (T60\_C)**

down feather and polyester fibre, pillow style typology

**Feet**

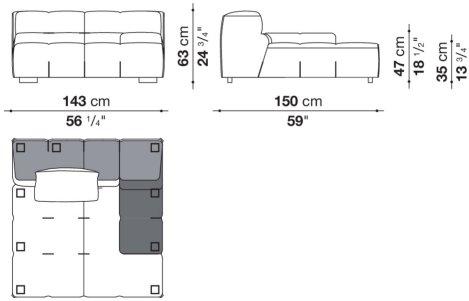
thermoplastic material

**Cover**

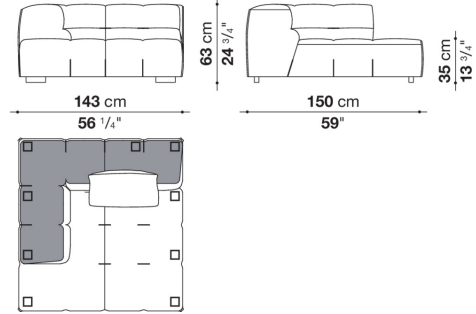
fabric (zig zag stitching)

# Technical drawings

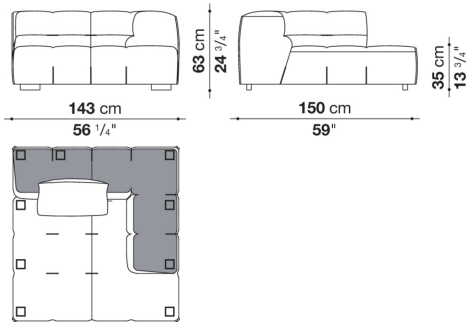
**T143BD\_4N**



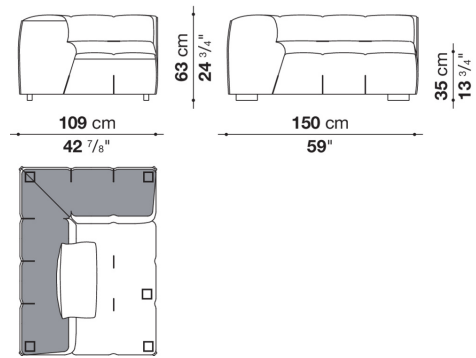
**T143AS\_4N**



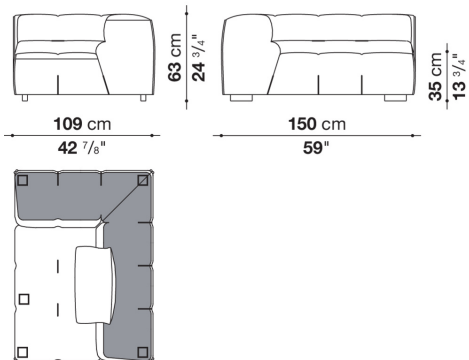
**T143AD\_4N**



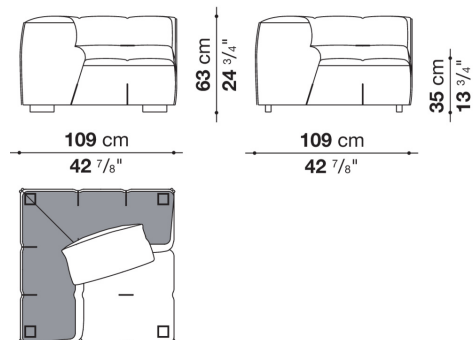
**T109\_4SN**



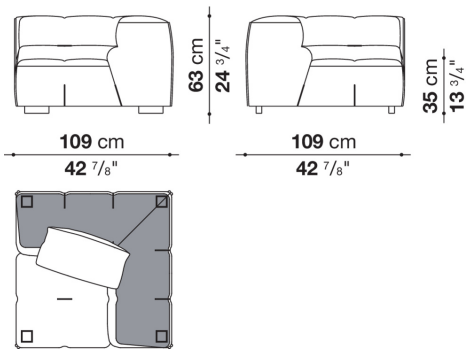
**T109\_4DN**



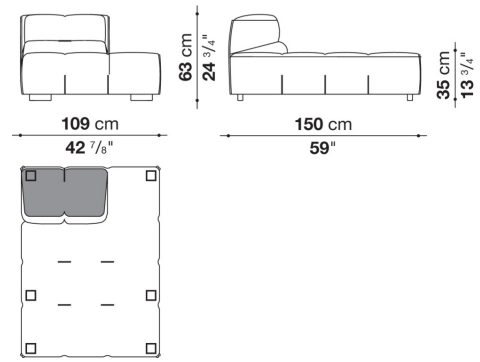
**T109\_3SN**



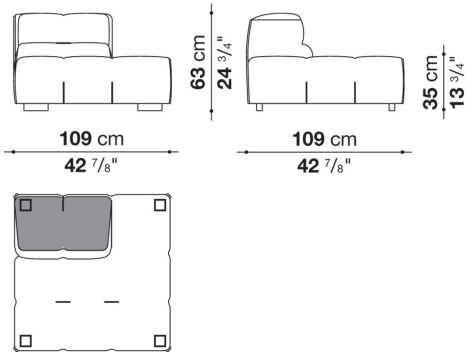
**T109\_3DN**



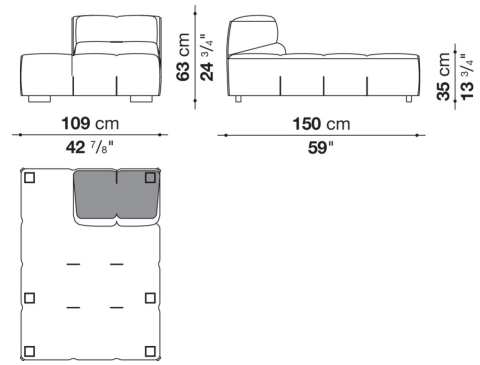
**T109TPS\_4N**



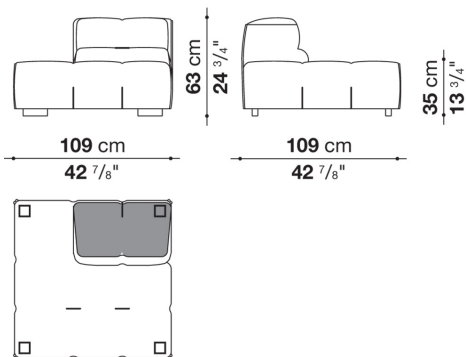
**T109TPS\_3N**



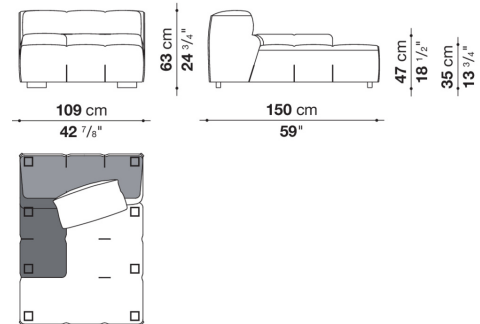
**T109TPD\_4N**



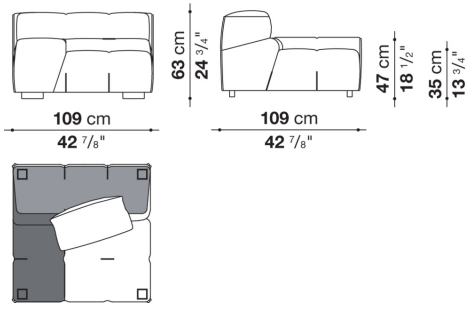
**T109TPD\_3N**



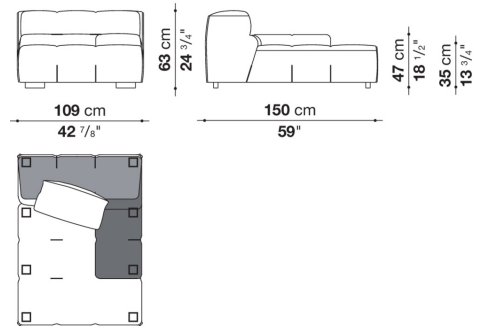
**T109BS\_4N**



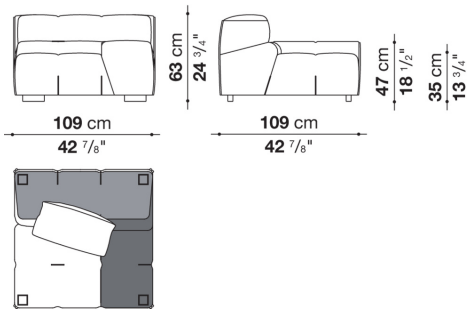
**T109BS\_3N**



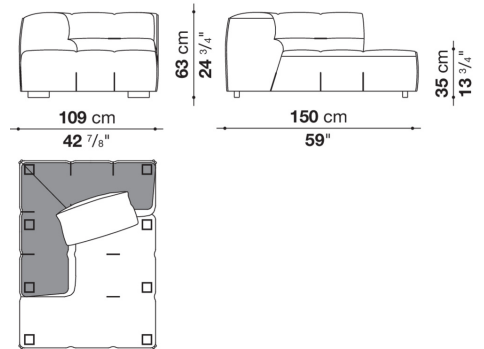
**T109BD\_4N**



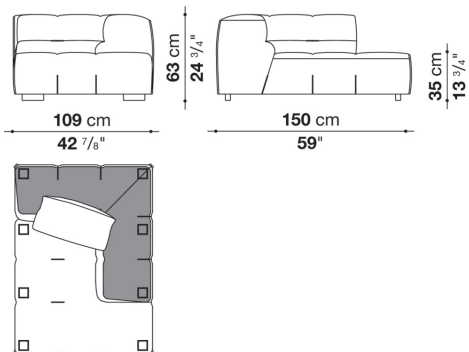
**T109BD\_3N**



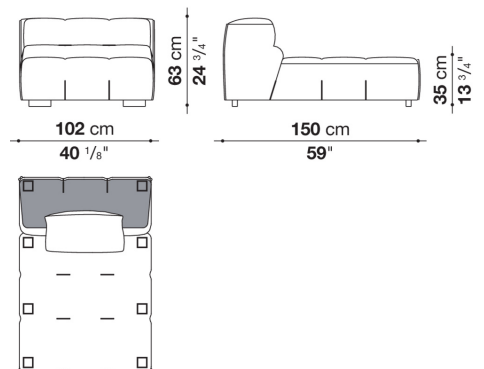
**T109AS\_4N**



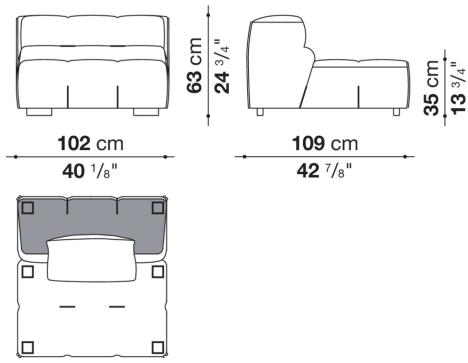
**T109AD\_4N**



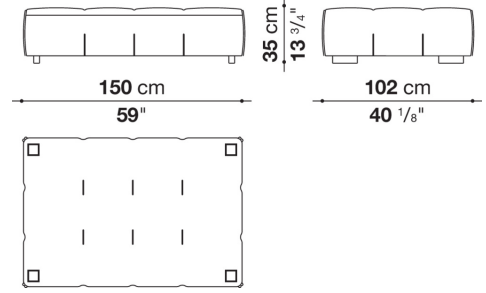
**T102C\_4N**



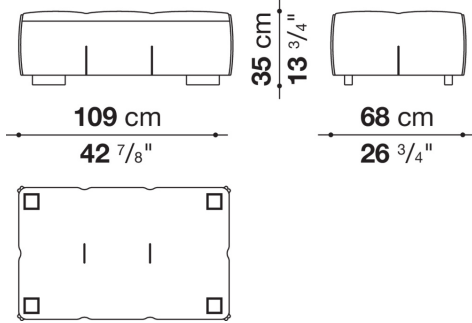
**T102C\_3N**



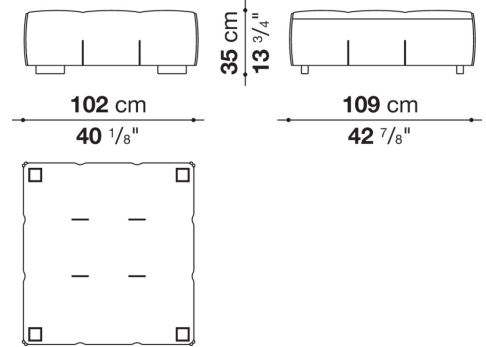
**T150P\_3N**



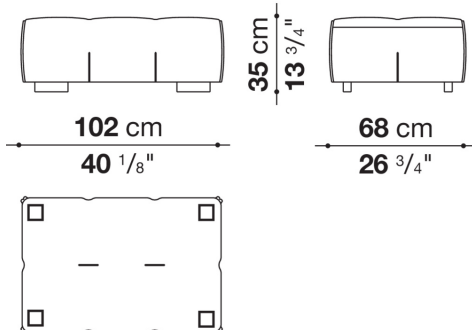
**T109P\_2N**



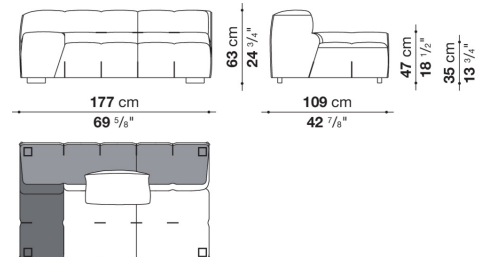
**T102P\_3N**



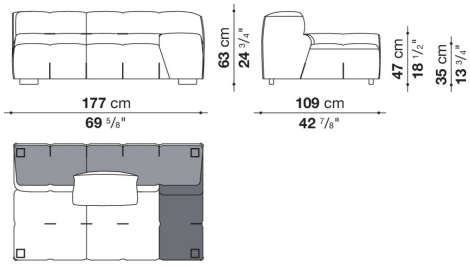
**T102P\_2N**



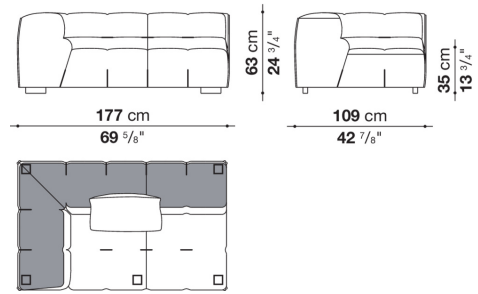
**T177BS\_3N**



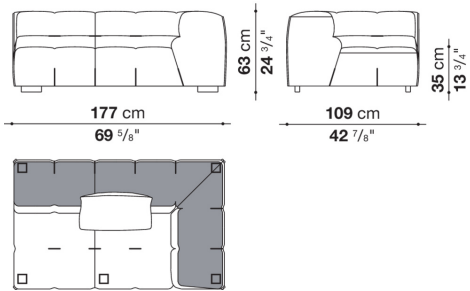
**T177BD\_3N**



**T177AS\_3N**



**T177AD\_3N**



**T143BS\_4N**

