

# Mirto Outdoor

COMPLEMENTS

2015

Antonio Citterio



## Description

---

The Mirto Outdoor console, forming part of a complete collection of seats, tables and coffee tables, is characterised by a visually light frame and by a top in the same finish of the frame or in porcelain stoneware. Its elegant, clean design adapts to a variety of contexts and projects in terms of style and function.

## Technical information

---

**Frame**

die-cast aluminium and extrusions with polyurethane painting

**Top**

aluminium sheet with polyurethane painting, porcelain stoneware or enamelled lava stone on aluminium top

**Ferrules**

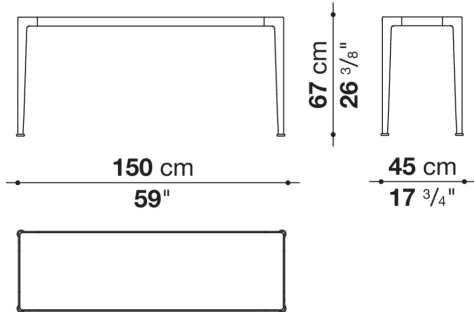
thermoplastic elastomer

**Waterproof cover cloth**

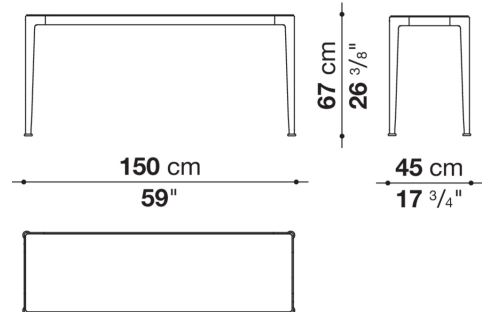
PES fabric coated on one side in PU

# Technical drawings

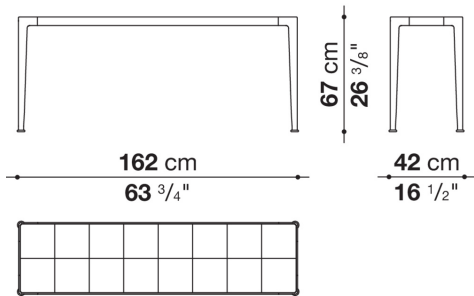
**MI150\_6**



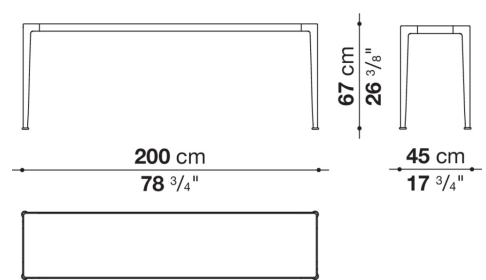
**MI150\_6G**



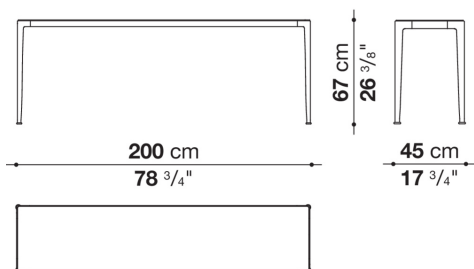
**TMO162\_6**



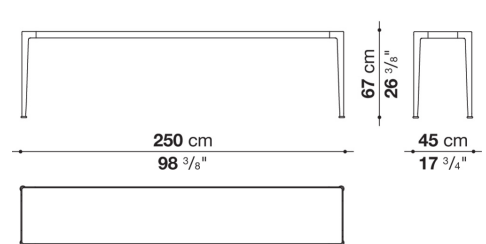
**MI200\_6**



**MI200\_6G**



**MI250\_6**



MI250\_6G

