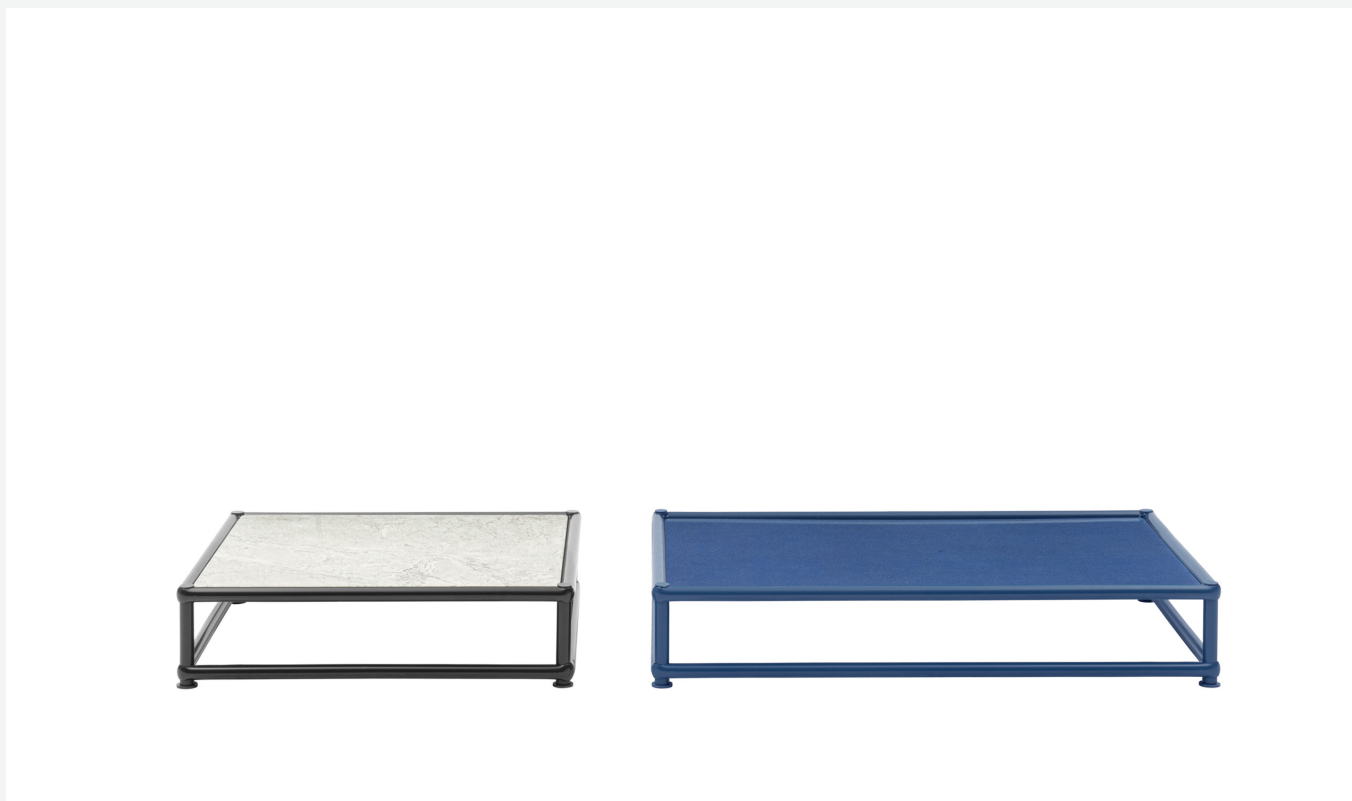


Nooch

SMALL TABLES

2023

Piero Lissoni



Description

A low table with a linear design underlined by tubular elements in recycled aluminium. It is available in a square or rectangular version with tops in serpentine stone or in enamelled lava stone in different colours to match the semi-gloss finishes of the structure.

Technical information

Frame

die-cast aluminium and extrusions

Top

Serpentine stone or enamelled lava stone

Ferrules

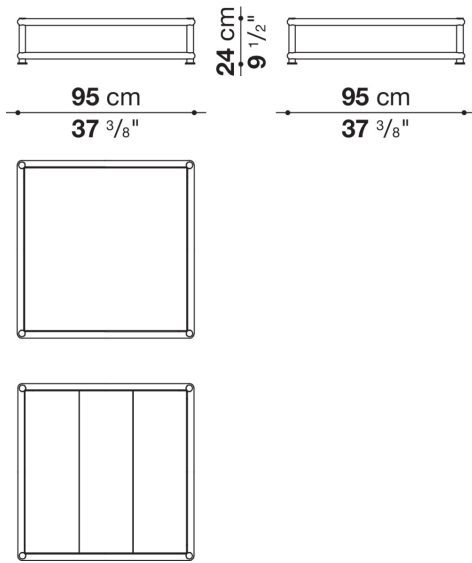
thermoplastic elastomer

Waterproof cover cloth

PES fabric coated on one side in PU

Technical drawings

TNH95Q



TNH136

