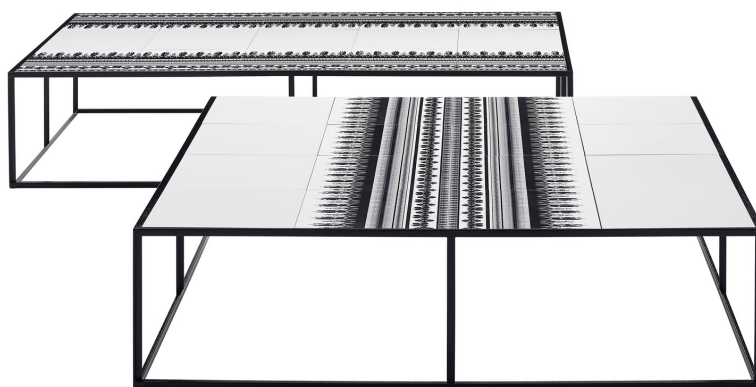


# Canasta

SMALL TABLES

2007

Patricia Urquiola



## Description

---

The Canasta small tables for outdoor use can be used on their own or to complement the family of chairs and tables of the same name. They come in two very different versions: the first, a decorative model in three sizes featuring a tray top in painted steel, stands out for its soft shapes and large weave of polyethylene fibre bands; the second, more minimalist and geometric and available in two sizes, has a powder-painted steel frame and tops in porcelain stoneware featuring refined black and white graphic designs.

## Technical information

---

**Frame**

aluminium or steel with polyester powder painting

**Top**

tiles in porcelain stoneware

**Service element tray (PCN60-PCN80-PCN110)**

steel sheet with polyester powder painting

**Ferrules**

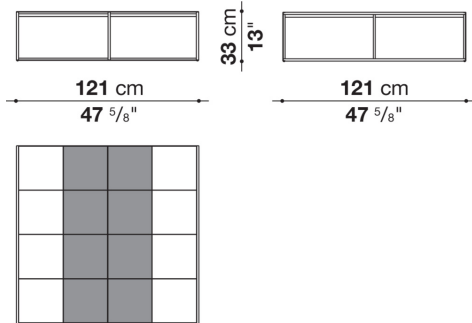
thermoplastic material

**Waterproof cover cloth**

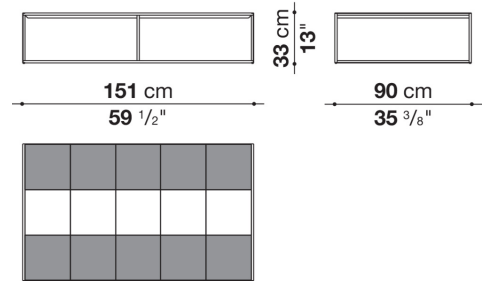
PES fabric coated on one side in PU

# Technical drawings

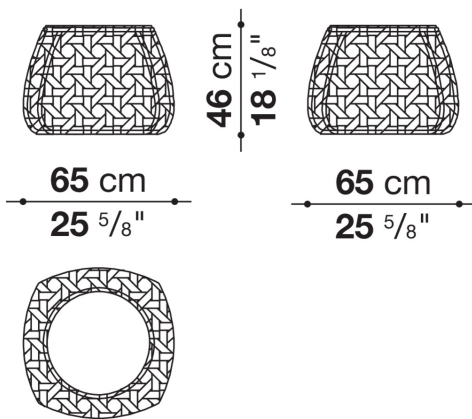
**TCN12**



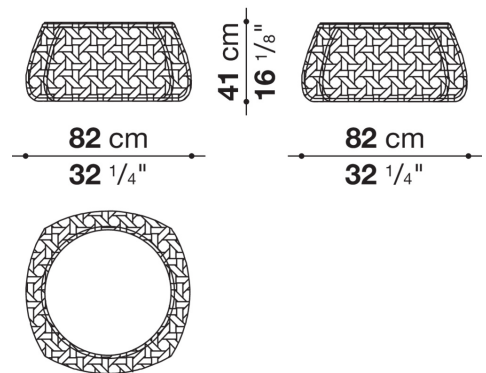
**TCN15**



**PCN60**



**PCN80**



**PCN110**

