

# Hybrid

SOFAS

2020

Antonio Citterio



## Description

---

Hybrid is a system of modular seating elements that it is so versatile it can be arranged into an almost infinite number of combinations. The key role of the textile dimension stands out immediately, with upholsteries that completely cover the generous padding, the project's absolute protagonist. These are typical elements of indoor furnishings, which in Hybrid find an outdoor interpretation. Hence the name of the collection, proposed as a link between the inside and the outside of the house. Hybrid is the perfect furnishing element for climates and spaces defined by a continuous blend of inside and outside environments, with rooms that open to an en-plein-air dimension, and for living spaces integrated into terraces and gardens. The combination of opposites happens not only visually, but also through the sense of touch: Hybrid guarantees the typical comfort of traditional upholstered furniture for interiors, thanks to a new type of particularly soft and comfortable mattress seat conceived for outdoor furnishings. The cushions are made with paddings of variable density, carefully designed to pleasantly accommodate and support the body, without allowing it to sink. The supporting structures are almost invisible, and the seat seems to float a few centimetres above the floor. To guarantee further comfort to the deeper seat, the low backrest can be raised using an additional headrest cushion.

# Technical information

---

**Frame**

die-cast aluminium and extrusions with polyester powder painting

**Upholstery**

shaped polyurethane of different density, cover in water repellent polyester fibre

**Seat slats**

glass fibre

**Ferrules**

thermoplastic material

**Waterproof cover cloth**

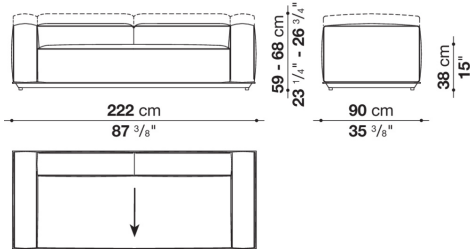
PES fabric coated on one side in PU

**Cover**

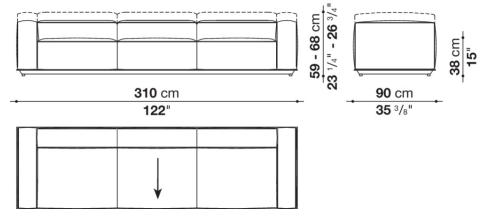
fabric in limited categories (with profile)

# Technical drawings

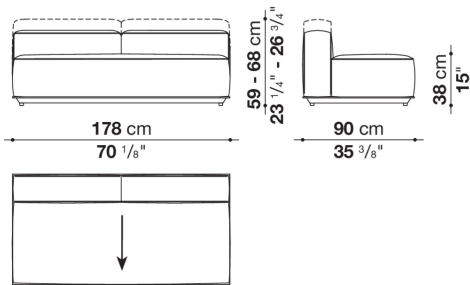
**9HY222**



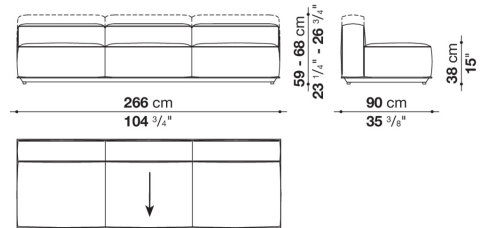
**9HY310**



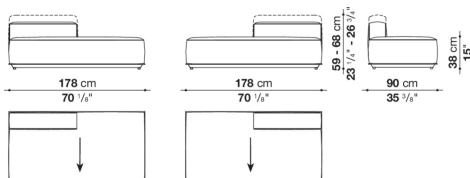
**9HY178C**



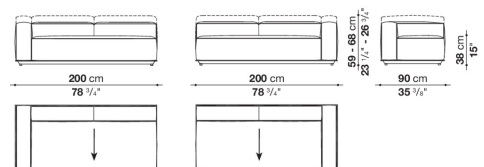
**9HY266C**



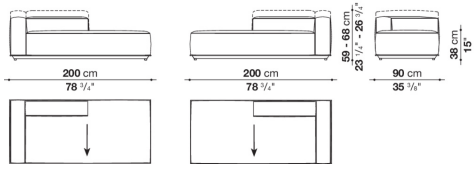
**9HY178PA**



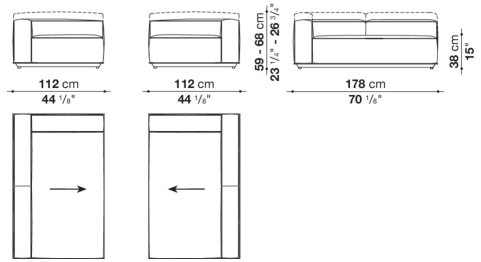
**9HY200T\_1**



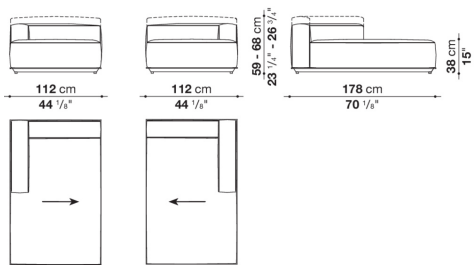
9HY200T\_2



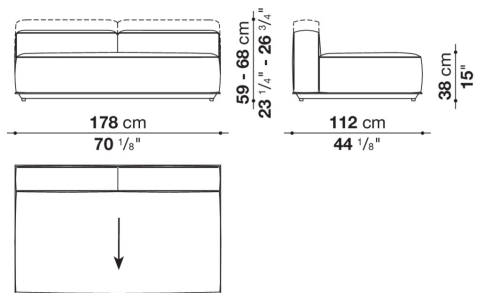
9HY178A\_1



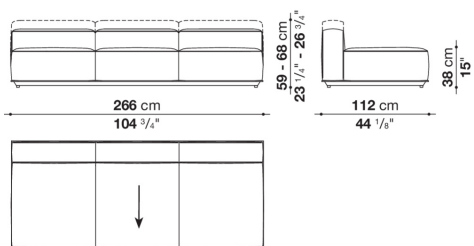
9HY178A\_2



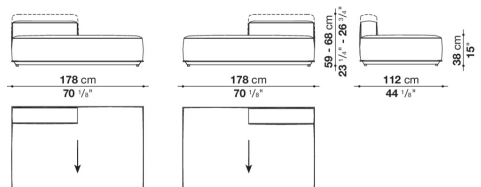
HY178C



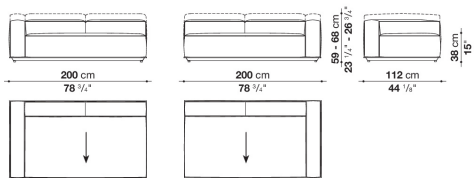
HY266C



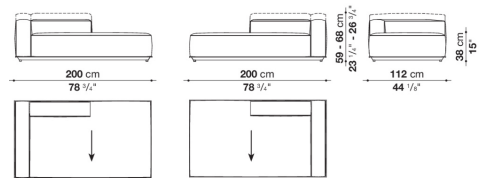
HY178PA



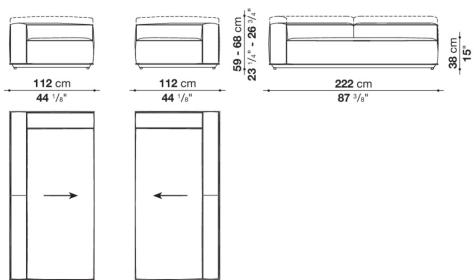
HY200T\_1



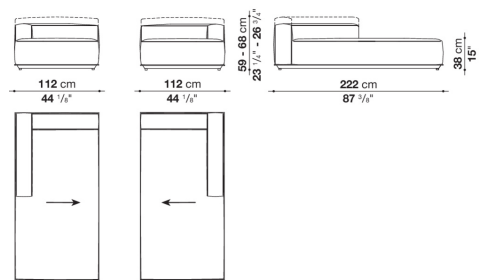
HY200T\_2



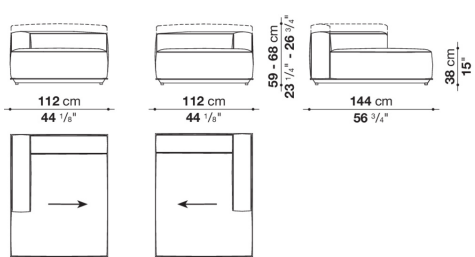
HY222A\_1



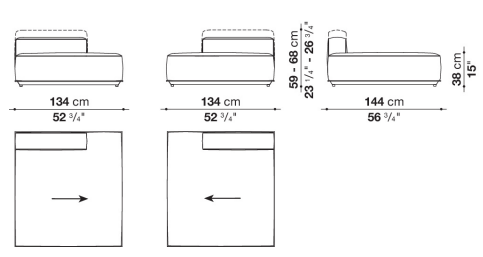
HY222A\_2



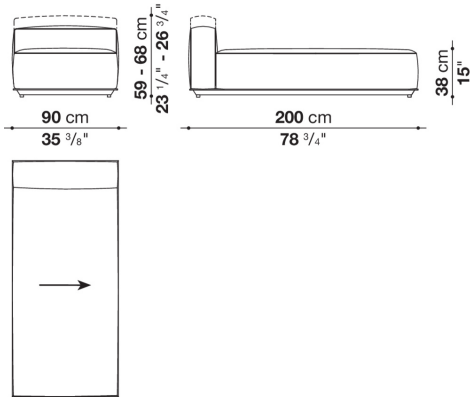
HY134L



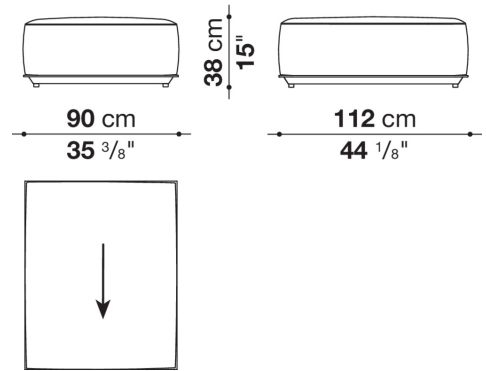
HY134L\_2



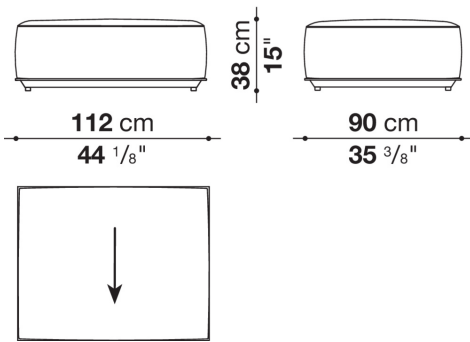
**HY200L**



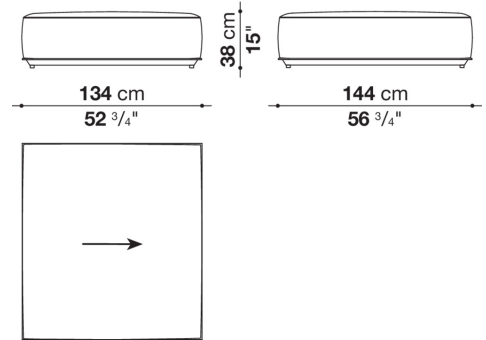
**HY90P**



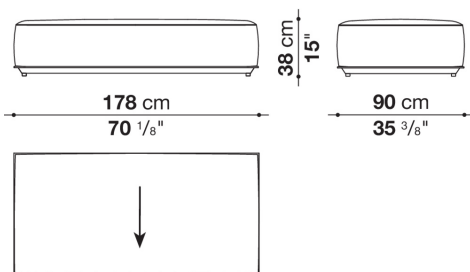
**9HY112P**



**HY134PQ**



**9HY178P**



**HY178P**

