

Heathfield&Co

Product Specification Sheet

TABLE LAMP | ARLO SATIN BRASS



PRODUCT INFORMATION

Base Code: TL-ARLO-SBRS
Material: Metal
Finish shown: Satin Brass
Lampshade: 11" Arlo Drum / SH-11-ARLO
Flex: UK & EU 1.5 metres of Black PVC flex /
US Black PVC flex

TECHNICAL INFORMATION

Weight: 1.6kg / 3.5lbs
Plug: Black 13amp UK plug /
Black Schuko EU plug / Black US polarised plug
Switching: Black inline switch
Lamping: 1x E27 lampholder / 1x E26 US lampholder
25W max. LED lamps recommended.
Lamps not included

BASE HEIGHT: 490 mm / 19^{1/4}"
TOTAL HEIGHT: 490 mm / 19^{1/4}"
BASE WIDTH: 190 mm / 7^{1/2}"
SHADE WIDTH: 280 mm / 11"

UKCA / CE / UL COMPLIANT

WARRANTY

10 years*

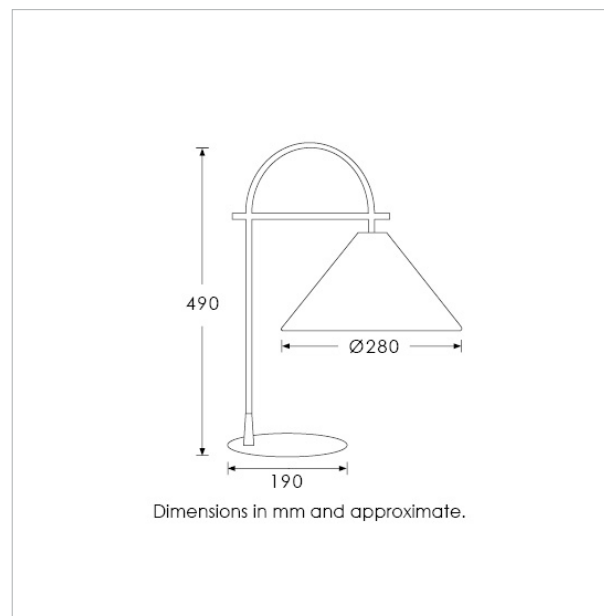
FINISHING NOTE

All metalwork is handcrafted and may vary from piece to piece with slight variation in finish and detailing.

CLEANING INSTRUCTIONS

The finishes on this luminaire only require regular cleaning with a soft dry duster. Abrasive or chemical cleaners may harm the finish and should not be used. Shade to be dusted with a clean dry cloth.

*Please refer to our Terms & Conditions for further information.



H&CO

LIGHT BEYOND DESIGN

Heathfield&Co

Product Specification Sheet

TABLE LAMP | ARLO BRONZE



PRODUCT INFORMATION

Base Code: TL-ARLO-BRNZ
Material: Metal
Finish shown: Bronze
Lampshade: 11" Arlo Drum / SH-11-ARLO
Flex: UK & EU 1.5 metres of Black braided flex /
US Black braided flex

TECHNICAL INFORMATION

Weight: 1.6kg / 3.5lbs
Plug: Black 13amp UK plug /
Black Schuko EU plug / Black US polarised plug
Switching: Black inline switch
Lamping: 1x E27 lampholder / 1x E26 US lampholder
25W max. LED lamps recommended.
Lamps not included

BASE HEIGHT: 490 mm / 19^{1/4}"
TOTAL HEIGHT: 490 mm / 19^{1/4}"
BASE WIDTH: 190 mm / 7^{1/2}"
SHADE WIDTH: 280 mm / 11"

UKCA / CE / UL COMPLIANT

WARRANTY

10 years*

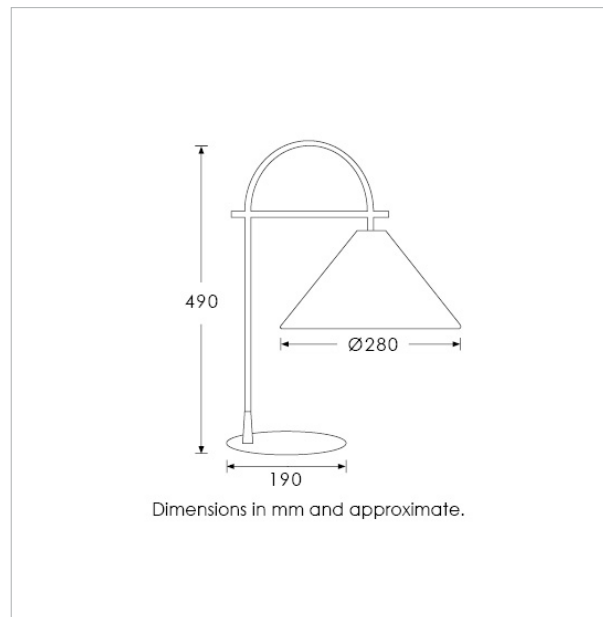
FINISHING NOTE

All metalwork is handcrafted and may vary from piece to piece with slight variation in finish and detailing.

CLEANING INSTRUCTIONS

The finishes on this luminaire only require regular cleaning with a soft dry duster. Abrasive or chemical cleaners may harm the finish and should not be used. Shade to be dusted with a clean dry cloth.

*Please refer to our Terms & Conditions for further information.



H&CO

LIGHT BEYOND DESIGN