

# Heathfield&Co

## Product Specification Sheet

TABLE LAMP | LAUREL



### PRODUCT INFORMATION

Base Code: TL-LAUR-SBRS-MOSS

Material: Ceramic

Finish shown: Moss

Metalwork: Satin Brass

Lampshade: 14" Flat Drum / SH-14-FLDR

Flex: UK & EU 1.5 metres of Ivory twisted flex /

US Ivory braided flex

### TECHNICAL INFORMATION

Weight: 2.2kg / 4.8lbs

Plug: White 13amp UK plug /

White Schuko EU plug / White US polarised plug

Switching: White inline switch

Lamping: 1x E27 lampholder / 1x E26 US lampholder

60W max. LED lamps recommended.

Lamps not included

BASE HEIGHT: 220 mm / 8<sup>1/2</sup>"

TOTAL HEIGHT: 420 mm / 16<sup>1/2</sup>"

BASE WIDTH: 235 mm / 9<sup>1/4</sup>"

SHADE WIDTH: 355 mm / 14"

UKCA / CE / UL COMPLIANT

### WARRANTY

10 years\*

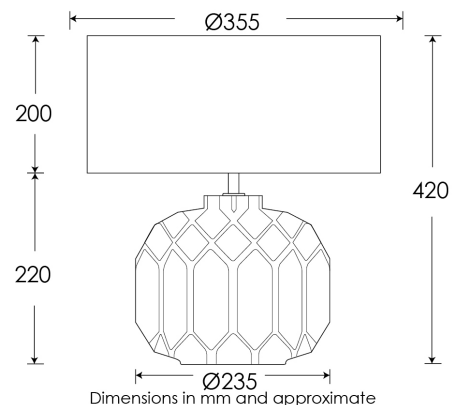
### FINISHING NOTE

The ceramic glazes that we have used on this lamp will create differences from piece to piece - variations in colour, formation and detailing. As such, it is part of the charm that no two products are exactly the same.

### CLEANING INSTRUCTIONS

The finishes on this luminaire only require regular cleaning with a soft dry duster. Abrasive or chemical cleaners may harm the finish and should not be used. Shade to be dusted with a clean dry cloth.

\*Please refer to our Terms & Conditions for further information.



H&  
CO

LIGHT BEYOND DESIGN