

Heathfield&Co

Product Specification Sheet

TABLE LAMP | ANTERO AMBER SMOKE



PRODUCT INFORMATION

Base Code: TL-ANTR-ABRS-AMSK

Material: Glass

Finish shown: Amber Smoke

Metalwork: Antique Brass

Lampshade: 16" Roman Drum / SH-16-RMDR

Flex: UK & EU 1.5 metres of Chocolate twisted flex /
US Chocolate braided flex

TECHNICAL INFORMATION

Weight: 4.3kg / 9.5lbs

Plug: Black 13amp UK plug /

Black Schuko EU plug / Black US polarised plug

Switching: Black inline switch

Lamping: 1x E27 lampholder / 1x E26 US lampholder
60W max. LED lamps recommended.

Lamps not included

BASE HEIGHT: 450 mm / 17^{3/4}"

TOTAL HEIGHT: 710 mm / 28"

BASE WIDTH: 165 mm / 6^{1/2}"

SHADE WIDTH: 405 mm / 16"

UKCA / CE / UL COMPLIANT

WARRANTY

10 years*

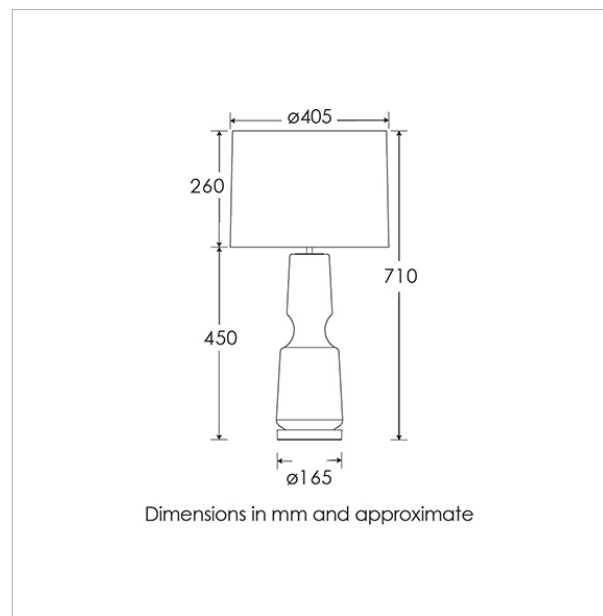
FINISHING NOTE

All our glasswork is hand blown and will vary from piece to piece - variations in form and proportion. Colour formation, pattern and finishing details are unique to each lamp and it is part of the charm that no two products are exactly the same.

CLEANING INSTRUCTIONS

The finishes on this luminaire only require regular cleaning with a soft dry duster. Abrasive or chemical cleaners may harm the finish and should not be used. Shade to be dusted with a clean dry cloth.

*Please refer to our Terms & Conditions for further information.



H&
CO

LIGHT BEYOND DESIGN

Heathfield&Co

Product Specification Sheet

TABLE LAMP | ANTERO ANTIQUE



PRODUCT INFORMATION

Base Code: TL-ANTR-ABRS-ANTI

Material: Glass

Finish shown: Antique

Metalwork: Antique Brass

Lampshade: 16" Roman Drum / SH-16-RMDR

Flex: UK & EU 1.5 metres of Antique Gold twisted flex / US Black PVC cable

TECHNICAL INFORMATION

Weight: 4.3kg / 9.5lbs

Plug: Black 13amp UK plug /

Black Schuko EU plug / Black US polarised plug

Switching: Black inline switch

Lamping: 1x E27 lampholder / 1x E26 US lampholder

60W max. LED lamps recommended.

Lamps not included

BASE HEIGHT: 450 mm / 17^{3/4}"

TOTAL HEIGHT: 710 mm / 28"

BASE WIDTH: 165 mm / 6^{1/2}"

SHADE WIDTH: 405 mm / 16"

UKCA / CE / UL COMPLIANT

WARRANTY

10 years*

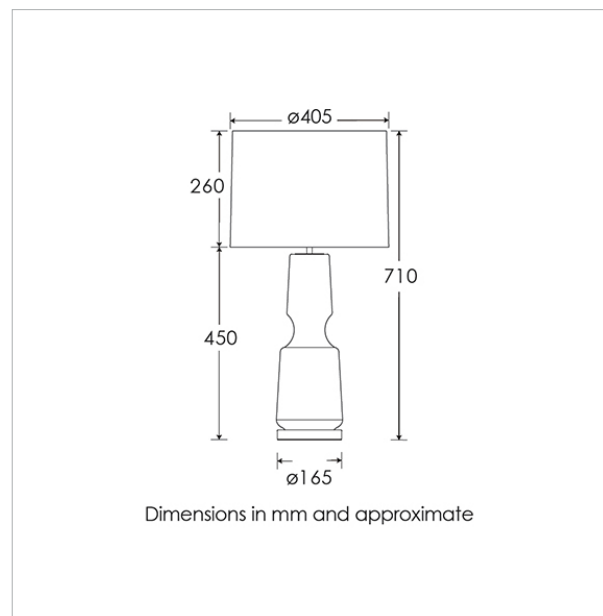
FINISHING NOTE

All our glasswork is hand blown and will vary from piece to piece - variations in form and proportion. Colour formation, pattern and finishing details are unique to each lamp and it is part of the charm that no two products are exactly the same.

CLEANING INSTRUCTIONS

The finishes on this luminaire only require regular cleaning with a soft dry duster. Abrasive or chemical cleaners may harm the finish and should not be used. Shade to be dusted with a clean dry cloth.

*Please refer to our Terms & Conditions for further information.



H&CO

LIGHT BEYOND DESIGN

Heathfield&Co

Product Specification Sheet

TABLE LAMP | ANTERO TEAL



PRODUCT INFORMATION

Base Code: TL-ANTR-ABRS-TEAL

Material: Glass

Finish shown: Teal

Metalwork: Antique Brass

Lampshade: 16" Roman Drum / SH-16-RMDR

Flex: UK & EU 1.5 metres of Black twisted flex /

US Black braided cable

TECHNICAL INFORMATION

Weight: 4.3kg / 9.5lbs

Plug: Black 13amp UK plug /

Black Schuko EU plug / Black US polarised plug

Switching: Black inline switch

Lamping: 1x E27 lampholder / 1x E26 US lampholder

60W max. LED lamps recommended.

Lamps not included

BASE HEIGHT: 450 mm / 17^{3/4}"

TOTAL HEIGHT: 710 mm / 28"

BASE WIDTH: 165 mm / 6^{1/2}"

SHADE WIDTH: 405 mm / 16"

UKCA / CE / UL COMPLIANT

WARRANTY

10 years*

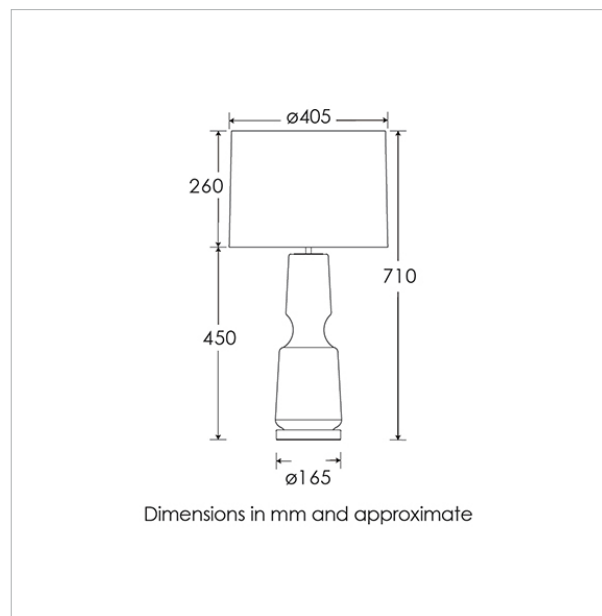
FINISHING NOTE

All our glasswork is hand blown and will vary from piece to piece - variations in form and proportion. Colour formation, pattern and finishing details are unique to each lamp and it is part of the charm that no two products are exactly the same.

CLEANING INSTRUCTIONS

The finishes on this luminaire only require regular cleaning with a soft dry duster. Abrasive or chemical cleaners may harm the finish and should not be used. Shade to be dusted with a clean dry cloth.

*Please refer to our Terms & Conditions for further information.



H&CO

LIGHT BEYOND DESIGN