

# Heathfield&Co

## Product Specification Sheet

FLOOR LAMP | FINLEY



### PRODUCT INFORMATION

Base Code: FL-FINL-BRNZ-PEBL

Material: Metal & Ceramic

Finish shown: Pebble

Metalwork: Bronze

Lampshade: 12" Finley Tall Drum / SH-12-TLDR-FIN

Flex: UK & EU 1.5 metres of Black braided flex /

US Black braided flex

### TECHNICAL INFORMATION

Weight: 4.5kg / 10lbs

Plug: Black 13amp UK plug /

Black Schuko EU plug / Black US polarised plug

Switching: Black foot switch

Lamping: 1x E27 lampholder / 1x E26 US lampholder

60W max. LED lamps recommended.

Lamps not included

BASE HEIGHT: 855 mm / 33<sup>1</sup>/<sub>2</sub>"

TOTAL HEIGHT: 1325 mm / 52"

BASE WIDTH: 270 mm / 10<sup>3</sup>/<sub>4</sub>"

SHADE WIDTH: 300 mm / 11<sup>3</sup>/<sub>4</sub>"

UKCA / CE / UL COMPLIANT

### WARRANTY

10 years\*

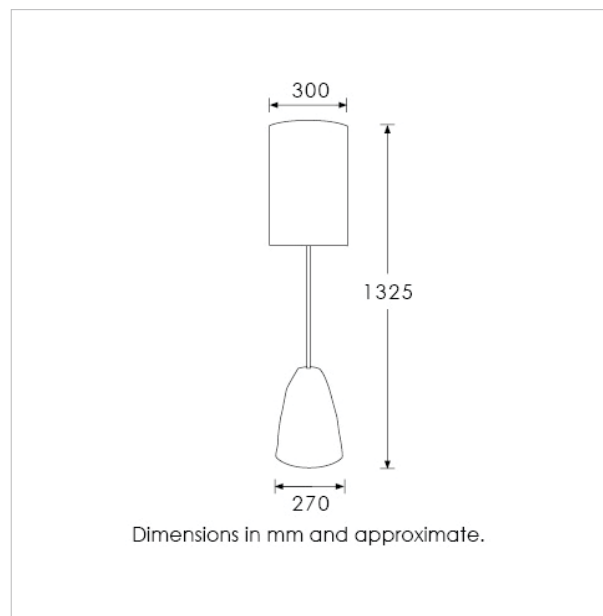
### FINISHING NOTE

The ceramic glazes that we have used on this lamp will create differences from piece to piece - variations in colour, formation and detailing. As such, it is part of the charm that no two products are exactly the same.

### CLEANING INSTRUCTIONS

The finishes on this luminaire only require regular cleaning with a soft dry duster. Abrasive or chemical cleaners may harm the finish and should not be used. Shade to be dusted with a clean dry cloth.

\*Please refer to our Terms & Conditions for further information.



H&  
CO

LIGHT BEYOND DESIGN