

Heathfield&Co

Product Specification Sheet

FLOOR LAMP | ORLA SATIN BRASS



PRODUCT INFORMATION

Base Code: FL-ORLA-SBRS-SPEC

Material: Metal & Glass

Finish shown: Speckle

Metalwork: Satin Brass

Flex: UK & EU 1.5 metres of Black twisted flex /
US Black PVC cable

TECHNICAL INFORMATION

Weight: 6.5kg / 14.3lbs

Plug: Black 13amp UK plug /

Black Schuko EU plug / Black US polarised plug

Switching: Black foot switch

Lamping: 3x G9 lampholder / 3x G9 US lampholder
25W max. LED lamps recommended.

Lamps not included

TOTAL HEIGHT: 1600 mm / 63"

BASE WIDTH: 160 mm / 6¹/₄"

UKCA / CE / WIRED USING US COMPONENTS

WARRANTY

10 years*

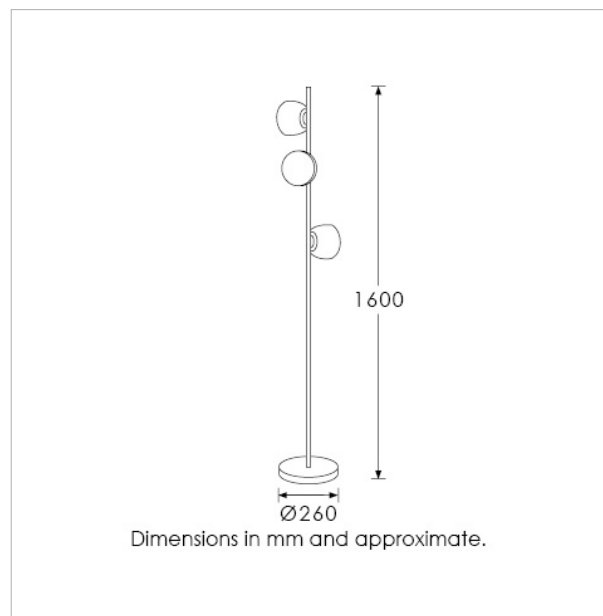
FINISHING NOTE

Our carefully selected glass and metalwork components are all hand finished by skilled artisans and as such no two products are exactly the same - something that adds to the unique charm of this product.

CLEANING INSTRUCTIONS

The finishes on this luminaire only require regular cleaning with a soft dry duster. Abrasive or chemical cleaners may harm the finish and should not be used.

*Please refer to our Terms & Conditions for further information.



H&C
CO

LIGHT BEYOND DESIGN

Heathfield&Co

Product Specification Sheet

FLOOR LAMP | ORLA BRONZE



PRODUCT INFORMATION

Base Code: FL-ORLA-BRNZ-SPEC

Material: Metal & Glass

Finish shown: Speckle

Metalwork: Bronze

Flex: UK & EU 1.5 metres of Black braided flex /
US Black braided flex

TECHNICAL INFORMATION

Weight: 6.5kg / 14.3lbs

Plug: Black 13amp UK plug /

Black Schuko EU plug / Black US polarised plug

Switching: Black foot switch

Lamping: 3x G9 lampholder / 3x G9 US lampholder
25W max. LED lamps recommended.

Lamps not included

TOTAL HEIGHT: 1600 mm / 63"

BASE WIDTH: 160 mm / 6¹/₄"

UKCA / CE / WIRED USING US COMPONENTS

WARRANTY

10 years*

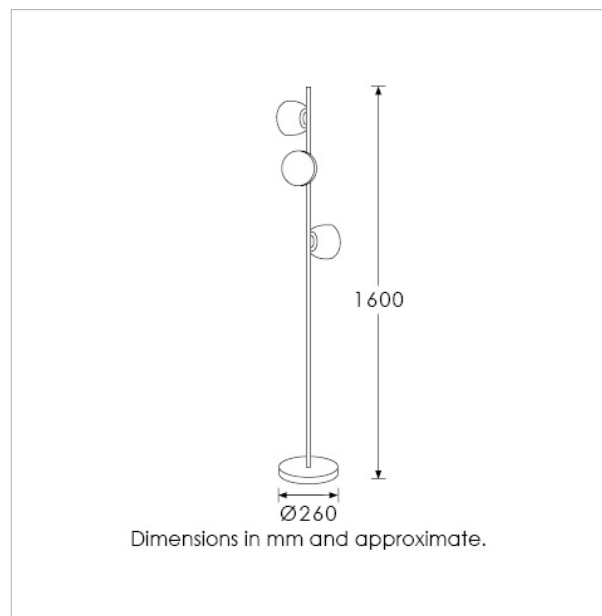
FINISHING NOTE

Our carefully selected glass and metalwork components are all hand finished by skilled artisans and as such no two products are exactly the same - something that adds to the unique charm of this product.

CLEANING INSTRUCTIONS

The finishes on this luminaire only require regular cleaning with a soft dry duster. Abrasive or chemical cleaners may harm the finish and should not be used.

*Please refer to our Terms & Conditions for further information.



Dimensions in mm and approximate.

H&
CO

LIGHT BEYOND DESIGN