

# Heathfield&Co

## Product Specification Sheet

WALL LIGHT | VEIL



### PRODUCT INFORMATION

Base Code: WL-VEIL-SBRS-OPAL

Material: Metal & Glass

Finish shown: Satin Brass

### TECHNICAL INFORMATION

Weight: 2kg / 4.4lbs

Switching & Plug: Hardwired

Lamping: 1x G9 lampholder

25W max. LED lamps recommended.

Lamps not included

TOTAL HEIGHT: 410 mm / 16"

TOTAL WIDTH: 375 mm / 14<sup>3/4</sup>"

PROJECTION: 145 mm / 5<sup>3/4</sup>"

UKCA / CE / WIRED USING US COMPONENTS

### WARRANTY

10 years\*

### FINISHING NOTE

All metalwork is handcrafted and may vary from piece to piece with slight variation in finish and detailing.

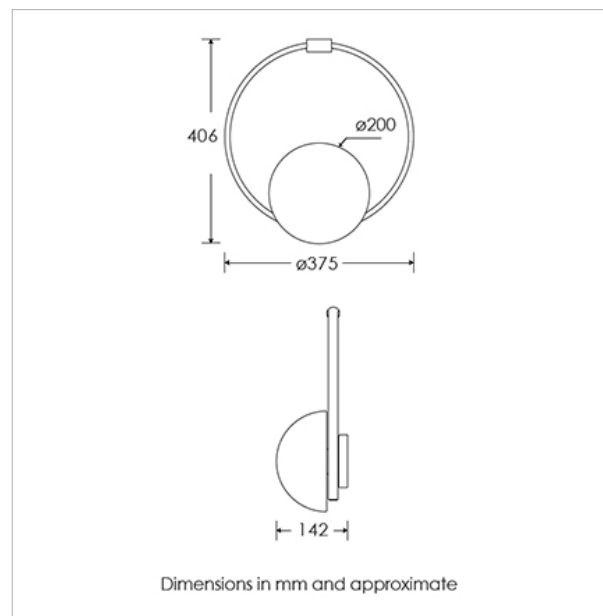
### CLEANING INSTRUCTIONS

The finishes on this luminaire only require regular cleaning with a soft dry duster. Abrasive or chemical cleaners may harm the finish and should not be used.

### FIXING NOTE

It is the buyer's responsibility to ensure that suitable fixings are used.

\*Please refer to our Terms & Conditions for further information.



H&CO

LIGHT BEYOND DESIGN