

Heathfield&Co

Product Specification Sheet

WALL LIGHT | THEA SMOKE



PRODUCT INFORMATION

Base Code: WL-THEA-BRNZ-SMOK

Material: Metal & Glass

Finish shown: Smoke

TECHNICAL INFORMATION

Weight: 1kg / 2.2lbs

Switching & Plug: Hardwired

Lamping: 1x E14 lampholder / 1x E12 US lampholder

25W max. LED lamps recommended.

Lamps not included

TOTAL HEIGHT: 400 mm / 15^{3/4}"

TOTAL WIDTH: 80 mm / 3^{3/4}"

PROJECTION: 170 mm / 6^{3/4}"

UKCA / CE / WIRED USING US COMPONENTS

WARRANTY

10 years*

FINISHING NOTE

Our carefully selected glass and metalwork components are all hand finished by skilled artisans and as such no two products are exactly the same - something that adds to the unique charm of this product.

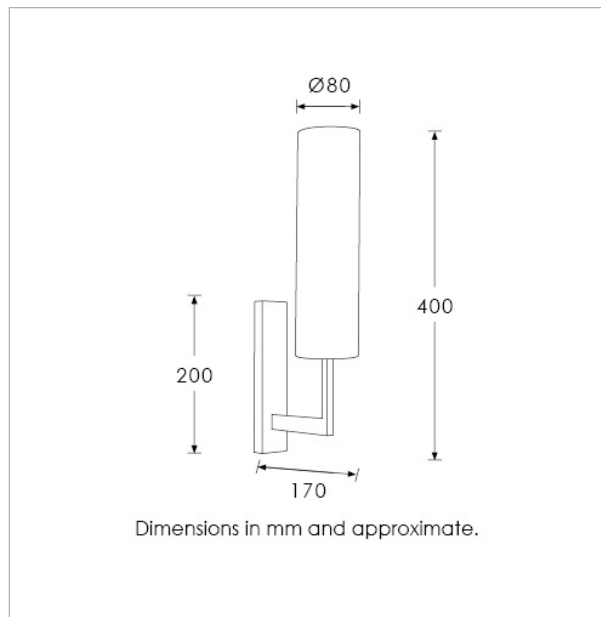
CLEANING INSTRUCTIONS

The finishes on this luminaire only require regular cleaning with a soft dry duster. Abrasive or chemical cleaners may harm the finish and should not be used.

FIXING NOTE

It is the buyer's responsibility to ensure that suitable fixings are used.

*Please refer to our Terms & Conditions for further information.



H&
CO

LIGHT BEYOND DESIGN

Heathfield&Co

Product Specification Sheet

WALL LIGHT | THEA ANTIQUE



PRODUCT INFORMATION

Base Code: WL-THEA-SBRS-ANTI

Material: Metal & Glass

Finish shown: Antique

TECHNICAL INFORMATION

Weight: 1kg / 2.2lbs

Switching & Plug: Hardwired

Lamping: 1x E14 lampholder / 1x E12 US lampholder

25W max. LED lamps recommended.

Lamps not included

TOTAL HEIGHT: 400 mm / 15^{3/4}"

TOTAL WIDTH: 80 mm / 3^{3/4}"

PROJECTION: 170 mm / 6^{3/4}"

UKCA / CE / WIRED USING US COMPONENTS

WARRANTY

10 years*

FINISHING NOTE

Our carefully selected glass and metalwork components are all hand finished by skilled artisans and as such no two products are exactly the same - something that adds to the unique charm of this product.

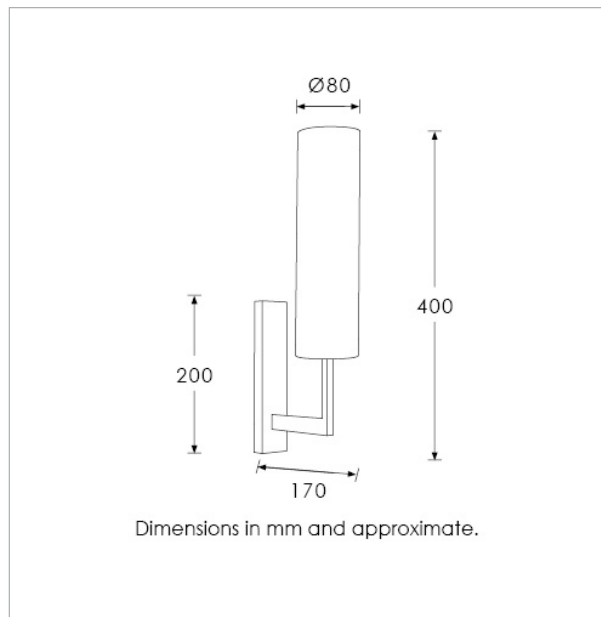
CLEANING INSTRUCTIONS

The finishes on this luminaire only require regular cleaning with a soft dry duster. Abrasive or chemical cleaners may harm the finish and should not be used.

FIXING NOTE

It is the buyer's responsibility to ensure that suitable fixings are used.

*Please refer to our Terms & Conditions for further information.



H&CO

LIGHT BEYOND DESIGN