

Heathfield&Co

Product Specification Sheet

WALL LIGHT | MEDINA ANTIQUE BRASS SMOKE



PRODUCT INFORMATION

Base Code: WL-MED3-ABRS-SMOK-GLD

Material: Metal & Glass

Finish shown: Smoke

TECHNICAL INFORMATION

Weight: 1.9kg / 4.2lbs

Switching & Plug: Hardwired

Lamping: 1x E27 lampholder / 1x E26 US lampholder

25W max. LED lamps recommended.

Lamps not included

TOTAL HEIGHT: 850 mm / 33¹/₂"

TOTAL WIDTH: 160 mm / 6¹/₄"

PROJECTION: 255 mm / 10"

UKCA / CE / UL COMPLIANT

WARRANTY

LK 'H40AB'

FINISHING NOTE

All our glasswork is hand blown and will vary from piece to piece - variations in form and proportion. Colour formation, pattern and finishing details are unique to each lamp and it is part of the charm that no two products are exactly the same.

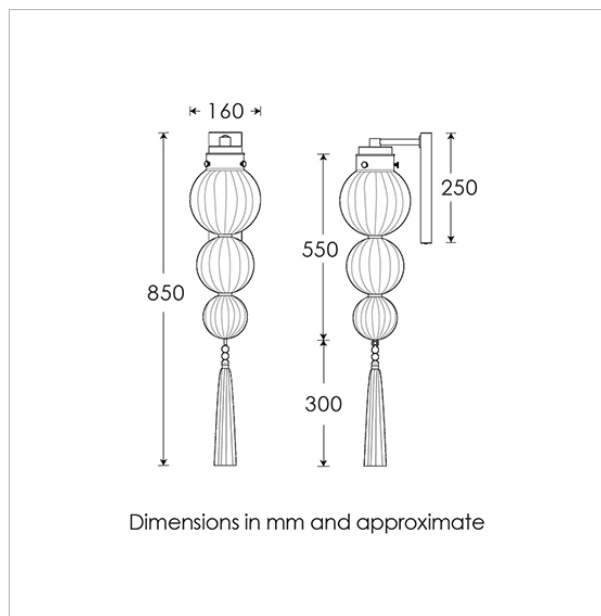
CLEANING INSTRUCTIONS

The finishes on this luminaire only require regular cleaning with a soft dry duster. Abrasive or chemical cleaners may harm the finish and should not be used.

FIXING NOTE

It is the buyer's responsibility to ensure that suitable fixings are used.

*Please refer to our Terms & Conditions for further information.



H&
CO

LIGHT BEYOND DESIGN

Heathfield&Co

Product Specification Sheet

WALL LIGHT | MEDINA NICKEL SMOKE



PRODUCT INFORMATION

Base Code: WL-MED3-PLNL-SMOK-GLD

Material: Metal & Glass

Finish shown: Smoke

TECHNICAL INFORMATION

Weight: 1.9kg / 4.2lbs

Switching & Plug: Hardwired

Lamping: 1x E27 lampholder / 1x E26 US lampholder

25W max. LED lamps recommended.

Lamps not included

TOTAL HEIGHT: 850 mm / 33¹/₂"

TOTAL WIDTH: 160 mm / 6¹/₄"

PROJECTION: 255 mm / 10"

UKCA / CE / UL COMPLIANT

WARRANTY

10 years*

FINISHING NOTE

All our glasswork is hand blown and will vary from piece to piece - variations in form and proportion. Colour formation, pattern and finishing details are unique to each lamp and it is part of the charm that no two products are exactly the same.

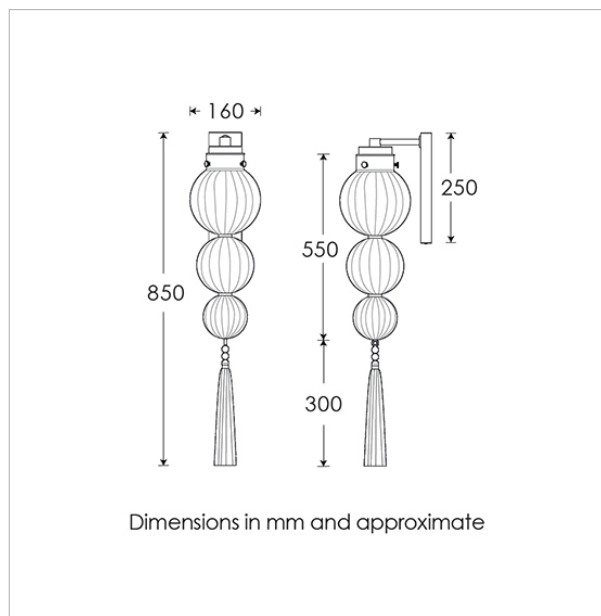
CLEANING INSTRUCTIONS

The finishes on this luminaire only require regular cleaning with a soft dry duster. Abrasive or chemical cleaners may harm the finish and should not be used.

FIXING NOTE

It is the buyer's responsibility to ensure that suitable fixings are used.

*Please refer to our Terms & Conditions for further information.



H&
CO

LIGHT BEYOND DESIGN

Heathfield&Co

Product Specification Sheet

WALL LIGHT | MEDINA ANTIQUE BRASS OPAL JADE



PRODUCT INFORMATION

Base Code: WL-MED3-ABRS-OPJD-OPJ

Material: Metal & Glass

Finish shown: Opal Jade

TECHNICAL INFORMATION

Weight: 1.9kg / 4.2lbs

Switching & Plug: Hardwired

Lamping: 1x E27 lampholder / 1x E26 US lampholder

25W max. LED lamps recommended.

Lamps not included

TOTAL HEIGHT: 850 mm / 33¹/₂"

TOTAL WIDTH: 160 mm / 6¹/₄"

PROJECTION: 255 mm / 10"

UKCA / CE / UL COMPLIANT

WARRANTY

10 years*

FINISHING NOTE

All our glasswork is hand blown and will vary from piece to piece - variations in form and proportion. Colour formation, pattern and finishing details are unique to each lamp and it is part of the charm that no two products are exactly the same.

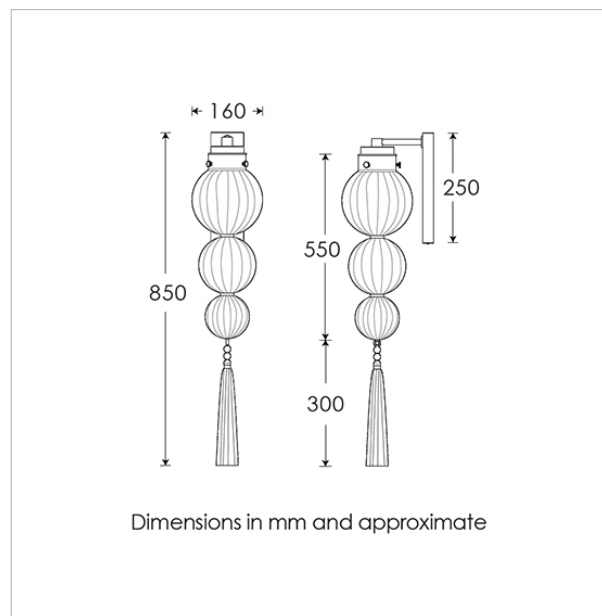
CLEANING INSTRUCTIONS

The finishes on this luminaire only require regular cleaning with a soft dry duster. Abrasive or chemical cleaners may harm the finish and should not be used.

FIXING NOTE

It is the buyer's responsibility to ensure that suitable fixings are used.

*Please refer to our Terms & Conditions for further information.



H&
CO

LIGHT BEYOND DESIGN

Heathfield&Co

Product Specification Sheet

WALL LIGHT | MEDINA NICKEL OPAL JADE



PRODUCT INFORMATION

Base Code: WL-MED3-PLNL-OPJD-OPJ

Material: Metal & Glass

Finish shown: Opal Jade

TECHNICAL INFORMATION

Weight: 1.9kg / 4.2lbs

Switching & Plug: Hardwired

Lamping: 1x E27 lampholder / 1x E26 US lampholder

25W max. LED lamps recommended.

Lamps not included

TOTAL HEIGHT: 850 mm / 33¹/₂"

TOTAL WIDTH: 160 mm / 6¹/₄"

PROJECTION: 255 mm / 10"

UKCA / CE / UL COMPLIANT

WARRANTY

10 years*

FINISHING NOTE

All our glasswork is hand blown and will vary from piece to piece - variations in form and proportion. Colour formation, pattern and finishing details are unique to each lamp and it is part of the charm that no two products are exactly the same.

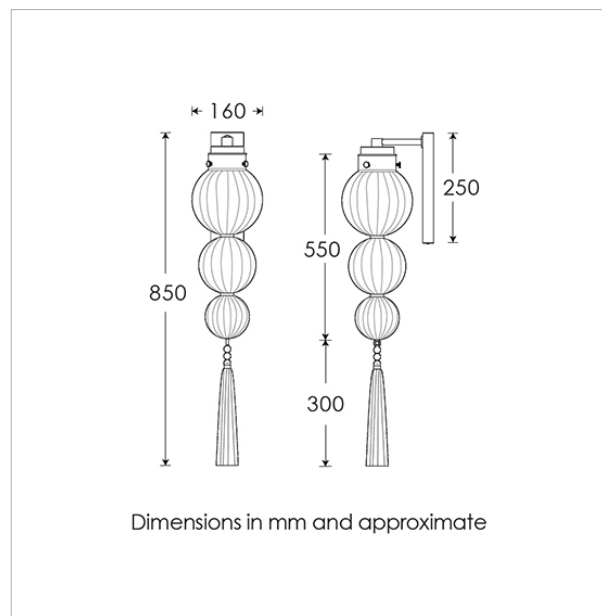
CLEANING INSTRUCTIONS

The finishes on this luminaire only require regular cleaning with a soft dry duster. Abrasive or chemical cleaners may harm the finish and should not be used.

FIXING NOTE

It is the buyer's responsibility to ensure that suitable fixings are used.

*Please refer to our Terms & Conditions for further information.



H&
CO

LIGHT BEYOND DESIGN

Heathfield&Co

Product Specification Sheet

WALL LIGHT | MEDINA ANTIQUE BRASS LUSTRE



PRODUCT INFORMATION

Base Code: WL-MED3-ABRS-LUST-SLV

Material: Metal & Glass

Finish shown: Lustre

TECHNICAL INFORMATION

Weight: 1.9kg / 4.2lbs

Switching & Plug: Hardwired

Lamping: 1x E27 lampholder / 1x E26 US lampholder

25W max. LED lamps recommended.

Lamps not included

TOTAL HEIGHT: 850 mm / 33¹/₂"

TOTAL WIDTH: 160 mm / 6¹/₄"

PROJECTION: 255 mm / 10"

UKCA / CE / UL COMPLIANT

WARRANTY

10 years*

FINISHING NOTE

All our glasswork is hand blown and will vary from piece to piece - variations in form and proportion. Colour formation, pattern and finishing details are unique to each lamp and it is part of the charm that no two products are exactly the same.

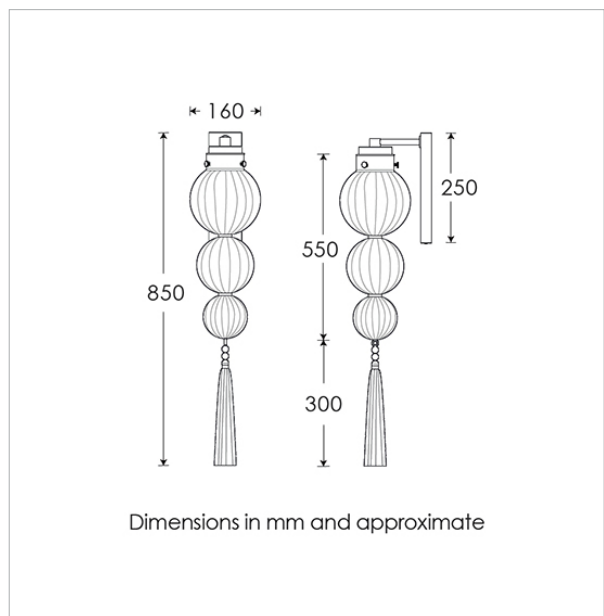
CLEANING INSTRUCTIONS

The finishes on this luminaire only require regular cleaning with a soft dry duster. Abrasive or chemical cleaners may harm the finish and should not be used.

FIXING NOTE

It is the buyer's responsibility to ensure that suitable fixings are used.

*Please refer to our Terms & Conditions for further information.



H&
CO

LIGHT BEYOND DESIGN

Heathfield&Co

Product Specification Sheet

WALL LIGHT | MEDINA NICKEL LUSTRE



PRODUCT INFORMATION

Base Code: WL-MED3-PLNL-LUST-SLV

Material: Metal & Glass

Finish shown: Lustre

TECHNICAL INFORMATION

Weight: 1.9kg / 4.2lbs

Switching & Plug: Hardwired

Lamping: 1x E27 lampholder / 1x E26 US lampholder

25W max. LED lamps recommended.

Lamps not included

TOTAL HEIGHT: 850 mm / 33¹/₂"

TOTAL WIDTH: 160 mm / 6¹/₄"

PROJECTION: 255 mm / 10"

UKCA / CE / UL COMPLIANT

WARRANTY

10 years*

FINISHING NOTE

All our glasswork is hand blown and will vary from piece to piece - variations in form and proportion. Colour formation, pattern and finishing details are unique to each lamp and it is part of the charm that no two products are exactly the same.

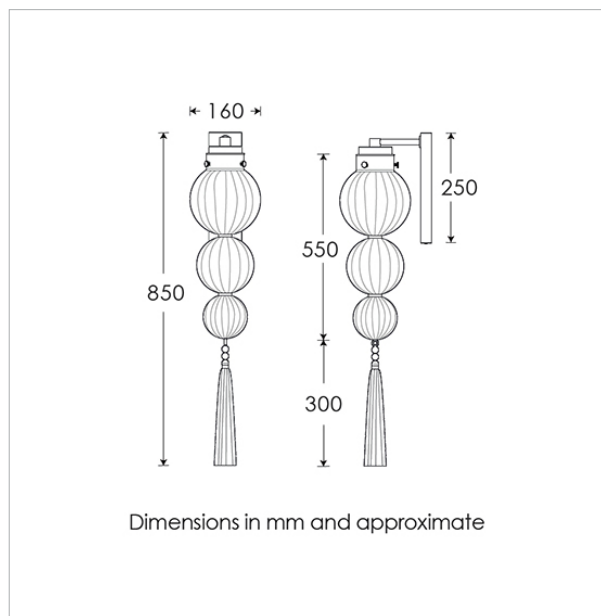
CLEANING INSTRUCTIONS

The finishes on this luminaire only require regular cleaning with a soft dry duster. Abrasive or chemical cleaners may harm the finish and should not be used.

FIXING NOTE

It is the buyer's responsibility to ensure that suitable fixings are used.

*Please refer to our Terms & Conditions for further information.



H&
CO

LIGHT BEYOND DESIGN