

Heathfield&Co

Product Specification Sheet

CEILING LIGHT | NARA PENDANT



PRODUCT INFORMATION

Base Code: PD-NARA-BRNZ-CLER

Material: Metal & Glass

Finish shown: Clear

Flex: UK & EU 1.5 metres of Black braided flex /
US Black braided cable

TECHNICAL INFORMATION

Weight: 1.8kg / 3.9lbs

Switching & Plug: Hardwired

Lamping: 1x E14 lampholder / 1x E12 US lampholder
60W max. LED lamps recommended.

Lamps not included

TOTAL HEIGHT: 1800 mm / 71"

TOTAL WIDTH: 150 mm / 6"

UKCA / CE / UL COMPLIANT

WARRANTY

10 years*

FINISHING NOTE

All our glasswork is hand blown and will vary from piece to piece - variations in form and proportion. Colour formation, pattern and finishing details are unique to each lamp and it is part of the charm that no two products are exactly the same.

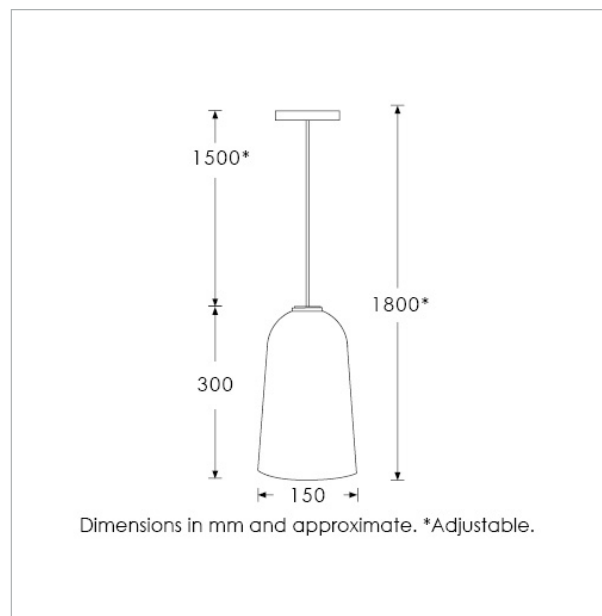
CLEANING INSTRUCTIONS

The finishes on this luminaire only require regular cleaning with a soft dry duster. Abrasive or chemical cleaners may harm the finish and should not be used.

FIXING NOTE

It is the buyer's responsibility to ensure that suitable fixings are used.

*Please refer to our Terms & Conditions for further information.



H&
CO

LIGHT BEYOND DESIGN