

Heathfield&Co

Product Specification Sheet

CEILING LIGHT | MILO WHITE & DARK BRONZE



PRODUCT INFORMATION

Base Code: PD-MILO-BRNZ-WHTE

Material: Brass & Glass

Finish shown: White Grain

Flex: UK & EU 1.5 metres of Black braided cable /
US Black braided cable

TECHNICAL INFORMATION

Weight: 2.2kg / 4.8lbs

Switching & Plug: Hardwired

Lamping: 1x E14 lampholder / 1x E12 US lampholder
40W max. LED lamps recommended.

Lamps not included

TOTAL HEIGHT: 1815 mm / 71¹/₂"

TOTAL WIDTH: 260 mm / 10¹/₄"

UKCA / CE / WIRED USING US COMPONENTS

WARRANTY

10 years*

FINISHING NOTE

Our carefully selected glass and metalwork components are all hand finished by skilled artisans and as such no two products are exactly the same - something that adds to the unique charm of this product.

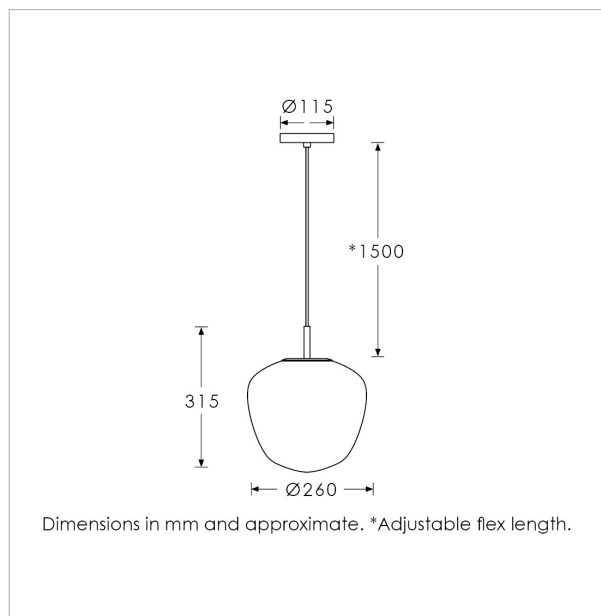
CLEANING INSTRUCTIONS

The finishes on this luminaire only require regular cleaning with a soft dry duster. Abrasive or chemical cleaners may harm the finish and should not be used.

FIXING NOTE

It is the buyer's responsibility to ensure that suitable fixings are used.

*Please refer to our Terms & Conditions for further information.



Dimensions in mm and approximate. *Adjustable flex length.

H&
CO

LIGHT BEYOND DESIGN

Heathfield&Co

Product Specification Sheet

CEILING LIGHT | MILO WHITE & SATIN BRASS



PRODUCT INFORMATION

Base Code: PD-MILO-SBRS-WHTE

Material: Brass & Glass

Finish shown: White Grain

Flex: UK & EU 1.5 metres of Hessian braided cable /
US Hessian braided cable

TECHNICAL INFORMATION

Weight: 2.2kg / 4.8lbs

Switching & Plug: Hardwired

Lamping: 1x E14 lampholder / 1x E12 US lampholder
40W max. LED lamps recommended.

Lamps not included

TOTAL HEIGHT: 1815 mm / 71¹/₂"

TOTAL WIDTH: 260 mm / 10¹/₄"

UKCA / CE / WIRED USING US COMPONENTS

WARRANTY

10 years*

FINISHING NOTE

Our carefully selected glass and metalwork components are all hand finished by skilled artisans and as such no two products are exactly the same - something that adds to the unique charm of this product.

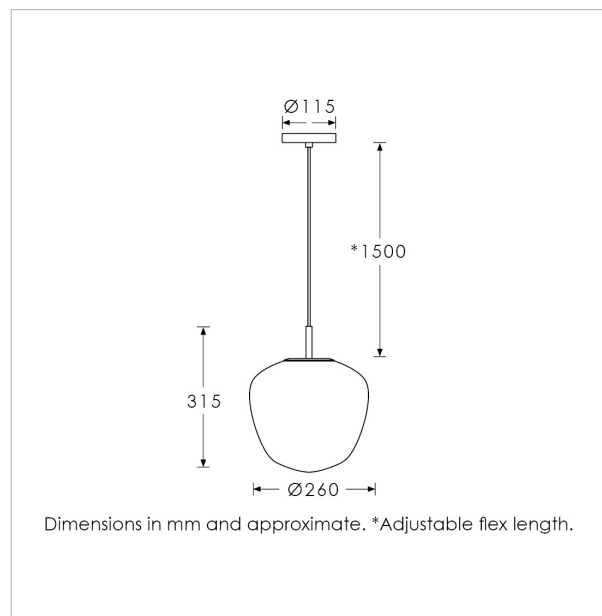
CLEANING INSTRUCTIONS

The finishes on this luminaire only require regular cleaning with a soft dry duster. Abrasive or chemical cleaners may harm the finish and should not be used.

FIXING NOTE

It is the buyer's responsibility to ensure that suitable fixings are used.

*Please refer to our Terms & Conditions for further information.



H&
CO

LIGHT BEYOND DESIGN