

# Heathfield&Co

## Product Specification Sheet

CEILING LIGHT | THEA ANTIQUE



### PRODUCT INFORMATION

Base Code: PD-THEA-SBRS-ANTI  
Material: Metal & Glass  
Finish shown: Satin Brass

### TECHNICAL INFORMATION

Weight: 4.1kg / 9lbs  
Switching & Plug: Hardwired  
Lamping: 5x E14 lampholder / 5x E12 US lampholder  
25W max. LED lamps recommended.  
Lamps not included

TOTAL HEIGHT: 760 mm / 30"  
TOTAL WIDTH: 760 mm / 30"

UKCA / CE / WIRED USING US COMPONENTS

### WARRANTY

10 years\*

### FINISHING NOTE

Our carefully selected glass and metalwork components are all hand finished by skilled artisans and as such no two products are exactly the same - something that adds to the unique charm of this product.

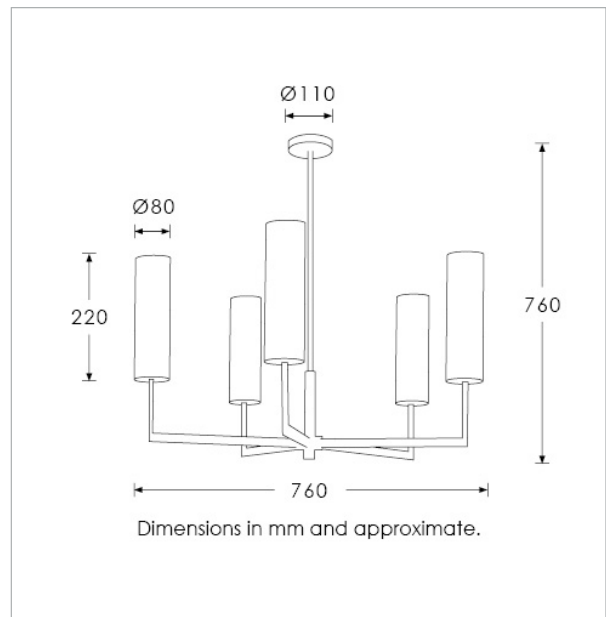
### CLEANING INSTRUCTIONS

The finishes on this luminaire only require regular cleaning with a soft dry duster. Abrasive or chemical cleaners may harm the finish and should not be used.

### FIXING NOTE

It is the buyer's responsibility to ensure that suitable fixings are used.

\*Please refer to our Terms & Conditions for further information.



H&  
CO

LIGHT BEYOND DESIGN

# Heathfield&Co

## Product Specification Sheet

CEILING LIGHT | THEA SMOKE



### PRODUCT INFORMATION

Base Code: WL-THEA-BRNZ-SMOK

Material: Metal & Glass

Finish shown: Smoke

### TECHNICAL INFORMATION

Weight: 4.1kg / 9lbs

Switching & Plug: Hardwired

Lamping: 5x E14 lampholder / 5x E12 US lampholder

25W max. LED lamps recomm ended.

Lamps not included

TOTAL HEIGHT: 760 mm / 30"

TOTAL WIDTH: 760 mm / 30"

UKCA / CE / WIRED USING US COMPONENTS

### WARRANTY

10 years\*

### FINISHING NOTE

Our carefully selected glass and metalwork components are all hand finished by skilled artisans and as such no two products are exactly the same - something that adds to the unique charm of this product.

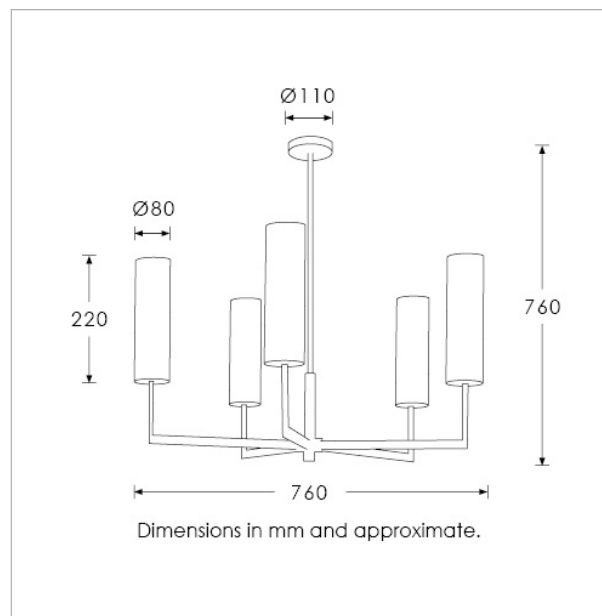
### CLEANING INSTRUCTIONS

The finishes on this luminaire only require regular cleaning with a soft dry duster. Abrasive or chemical cleaners may harm the finish and should not be used.

### FIXING NOTE

It is the buyer's responsibility to ensure that suitable fixings are used.

\*Please refer to our Terms & Conditions for further information.



H&  
CO

LIGHT BEYOND DESIGN