

# Heathfield&Co

## Product Specification Sheet

CEILING LIGHT | ORLA 3 LIGHT HORIZONTAL SATIN BRASS



### PRODUCT INFORMATION

Base Code: PD-ORLA-SBRS-SPEC-0H3

Material: Brass & Glass

Finish shown: Speckle

### TECHNICAL INFORMATION

Weight: 5.5kg / 12lbs

Switching & Plug: Hardwired

Lamping: 3x G9 lampholder

25W max. LED lamps recommended.

Lamps not included

TOTAL HEIGHT: 685 mm / 27"

TOTAL WIDTH: 995 mm / 39"

UKCA / CE / WIRED USING US COMPONENTS

### WARRANTY

10 years\*

### FINISHING NOTE

Our carefully selected glass and metalwork components are all hand finished by skilled artisans and as such no two products are exactly the same - something that adds to the unique charm of this product.

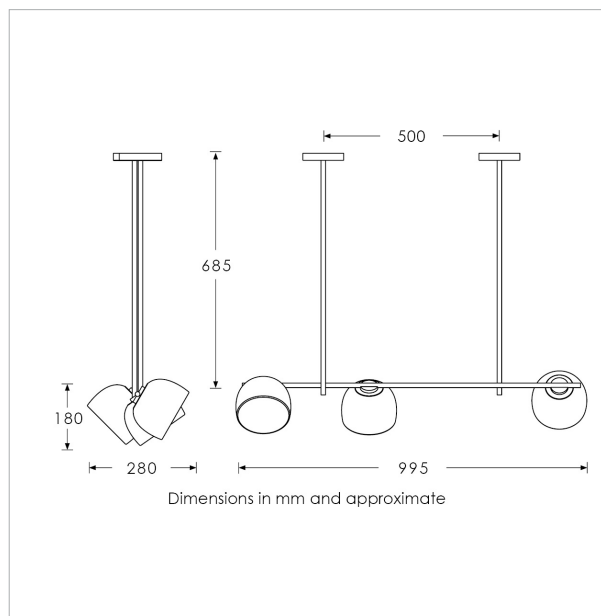
### CLEANING INSTRUCTIONS

The finishes on this luminaire only require regular cleaning with a soft dry duster. Abrasive or chemical cleaners may harm the finish and should not be used.

### FIXING NOTE

It is the buyer's responsibility to ensure that suitable fixings are used.

\*Please refer to our Terms & Conditions for further information.



H&  
CO

LIGHT BEYOND DESIGN

# Heathfield&Co

## Product Specification Sheet

CEILING LIGHT | ORLA 3 LIGHT HORIZONTAL BRONZE



### PRODUCT INFORMATION

Base Code: PD-ORLA-BRNZ-SPEC-0H3

Material: Bronze & Glass

Finish shown: Speckle

### TECHNICAL INFORMATION

Weight: 5.5kg / 12lbs

Switching & Plug: Hardwired

Lamping: 3x G9 lampholder

25W max. LED lamps recommended.

Lamps not included

TOTAL HEIGHT: 685 mm / 27"

TOTAL WIDTH: 995 mm / 39"

UKCA / CE / WIRED USING US COMPONENTS

### WARRANTY

10 years\*

### FINISHING NOTE

Our carefully selected glass and metalwork components are all hand finished by skilled artisans and as such no two products are exactly the same - something that adds to the unique charm of this product.

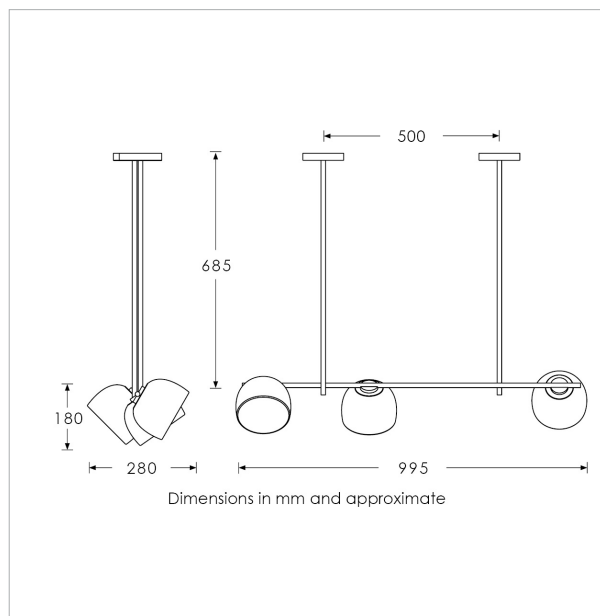
### CLEANING INSTRUCTIONS

The finishes on this luminaire only require regular cleaning with a soft dry duster. Abrasive or chemical cleaners may harm the finish and should not be used.

### FIXING NOTE

It is the buyer's responsibility to ensure that suitable fixings are used.

\*Please refer to our Terms & Conditions for further information.



H&CO

LIGHT BEYOND DESIGN

# Heathfield&Co

## Product Specification Sheet

CEILING LIGHT | ORLA 5 LIGHT HORIZONTAL SATIN BRASS



### PRODUCT INFORMATION

Base Code: PD-ORLA-SBRS-SPEC-OH5

Material: Brass & Glass

Finish shown: Speckle

### TECHNICAL INFORMATION

Weight: 8.5kg / 18.7lbs

Switching & Plug: Hardwired

Lamping: 5x G9 lampholder

25W max. LED lamps recommended.

Lamps not included

TOTAL HEIGHT: 685 mm / 27"

TOTAL WIDTH: 1695 mm / 66<sup>3/4</sup>"

UKCA / CE / WIRED USING US COMPONENTS

### WARRANTY

10 years\*

### FINISHING NOTE

Our carefully selected glass and metalwork components are all hand finished by skilled artisans and as such no two products are exactly the same - something that adds to the unique charm of this product.

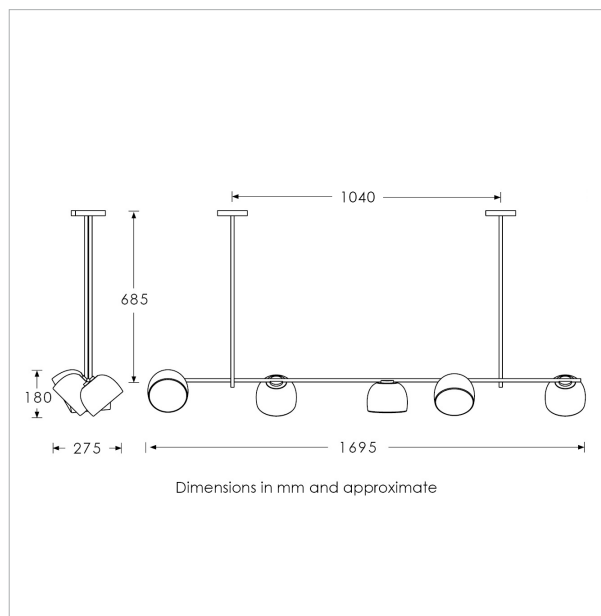
### CLEANING INSTRUCTIONS

The finishes on this luminaire only require regular cleaning with a soft dry duster. Abrasive or chemical cleaners may harm the finish and should not be used.

### FIXING NOTE

It is the buyer's responsibility to ensure that suitable fixings are used.

\*Please refer to our Terms & Conditions for further information.



H&CO

LIGHT BEYOND DESIGN

# Heathfield&Co

## Product Specification Sheet

CEILING LIGHT | ORLA 5 LIGHT HORIZONTAL BRONZE



### PRODUCT INFORMATION

Base Code: PD-ORLA-BRNZ-SPEC-OH5

Material: Bronze & Glass

Finish shown: Speckle

### TECHNICAL INFORMATION

Weight: 8.5kg / 18.7lbs

Switching & Plug: Hardwired

Lamping: 5x G9 lampholder

25W max. LED lamps recommended.

Lamps not included

TOTAL HEIGHT: 685 mm / 27"

TOTAL WIDTH: 1695 mm / 66<sup>3/4</sup>"

UKCA / CE / WIRED USING US COMPONENTS

### WARRANTY

10 years\*

### FINISHING NOTE

Our carefully selected glass and metalwork components are all hand finished by skilled artisans and as such no two products are exactly the same - something that adds to the unique charm of this product.

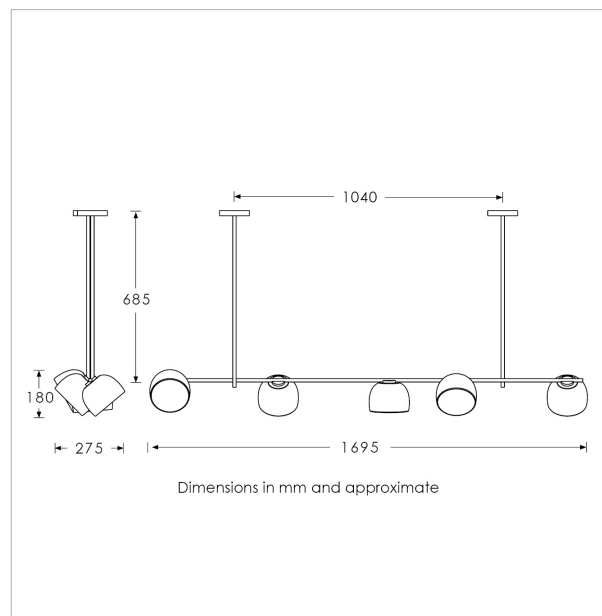
### CLEANING INSTRUCTIONS

The finishes on this luminaire only require regular cleaning with a soft dry duster. Abrasive or chemical cleaners may harm the finish and should not be used.

### FIXING NOTE

It is the buyer's responsibility to ensure that suitable fixings are used.

\*Please refer to our Terms & Conditions for further information.



H&CO

LIGHT BEYOND DESIGN