

Choose the language

English

Italiano

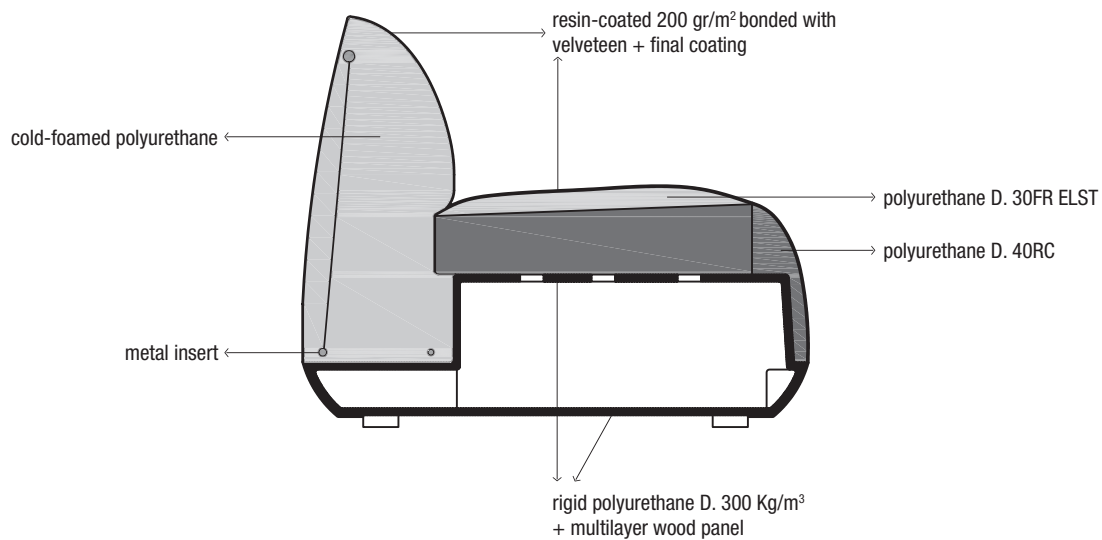
Deutsch

Français

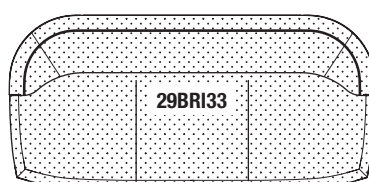
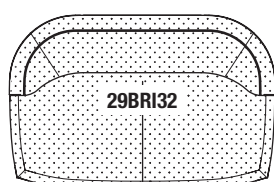
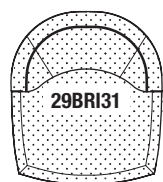
Español

BRIONI-UP

Info



Legend:



BRIONI-UP

Armchair

Finish of cover:

- A = Valencia (synthetic leather)
- B = Field 2, COM (Customer fabric)
- C = Clara 2, Merit, COL (Customer leather)
- D = Curmi, Patio, Remix 2
- E = Canvas 2, Hero, Melange Nap, Scuba
- F = Steelcut Trio 3
- G = Divina Melange 3, Hallingdal 65, Regal
- H = Twill Weave
- L1 = Coast (corrected grain leather)
- L2 = Elmosoft (semi-aniline leather)
- L3 = Elmotique (aniline leather)

Note:

REMOVABLE COVERS:

Removable upholstery (*): FIELD 2, COM, CLARA 2, MERIT, CURMI, PATIO, REMIX 2, CANVAS 2, HERO, MELANGE NAP, STEELCUT TRIO 3, DIVINA MELANGE 3, HALLINGDAL 65, REGAL, TWILL WEAVE.
Fixed upholstery: VALENCIA, COL, SCUBA, COAST, ELMOSOFT, ELMOTIQUE.

(*) The upholstery is TECHNICALLY REMOVABLE but in order to ensure correct adhesion, it must be replaced exclusively by personnel specialised in upholstery.

For info on fabric composition, see inside cover.

For COM/COL orders, see inside cover.

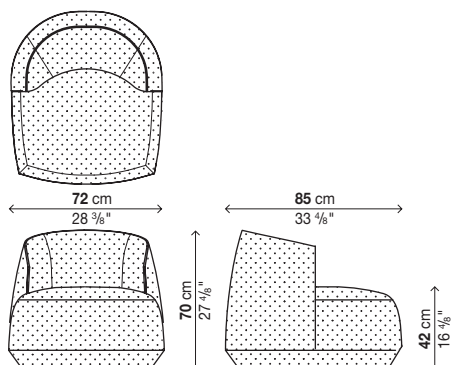
COM consumption: 2,6 ml (H. 140 cm).
COL consumption: 4,2 mq.

Reinforced packaging, see inside cover.

Code	Cover											pack	m ³	Kg		
	A	B	C	D	E	F	G	H	L1	L2	L3					
29BRI31																

Optionals

Code	Description	pack	m ³	Kg
29BRI31	Fire-retardant	-	-	-
	Cushions, see page 121	-	-	-



BRIONI-UP

2 seater sofa

Finish of cover:

- A = Valencia (synthetic leather)
- B = Field 2, COM (Customer fabric)
- C = Clara 2, Merit, COL (Customer leather)
- D = Curmi, Patio, Remix 2
- E = Canvas 2, Hero, Melange Nap, Scuba
- F = Steelcut Trio 3
- G = Divina Melange 3, Hallingdal 65, Regal
- H = Twill Weave
- L1 = Coast (corrected grain leather)
- L2 = Elmosoft (semi-aniline leather)
- L3 = Elmotique (aniline leather)

Note:

REMOVABLE COVERS:

Removable upholstery (*): FIELD 2, COM, CLARA 2, MERIT, CURMI, PATIO, REMIX 2, CANVAS 2, HERO, MELANGE NAP, STEELCUT TRIO 3, DIVINA MELANGE 3, HALLINGDAL 65, REGAL, TWILL WEAVE.
Fixed upholstery: VALENCIA, COL, SCUBA, COAST, ELMOSOFT, ELMOTIQUE.

(* The upholstery is TECHNICALLY REMOVABLE but in order to ensure correct adhesion, it must be replaced exclusively by personnel specialised in upholstery.

For info on fabric composition, see inside cover.

For COM/COL orders, see inside cover.

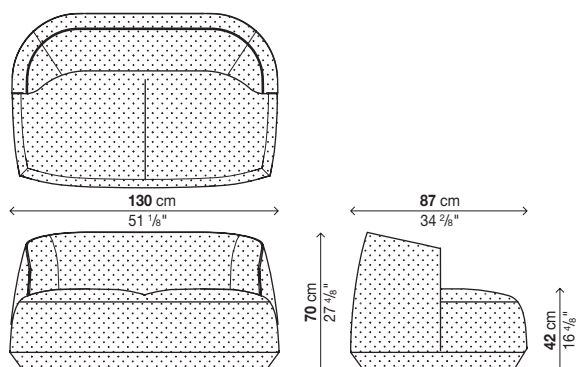
COM consumption: 3,7 ml (H. 140 cm).
COL consumption: 7,5 mq.

Reinforced packaging, see inside cover.

Code	Cover											pack	m ³	Kg		
	A	B	C	D	E	F	G	H	L1	L2	L3					
29BRI32																

Optionals

Code	Description	pack	m ³	Kg
29BRI32	Fire-retardant	-	-	-
	Cushions, see page 121	-	-	-



BRIONI-UP

3 seater sofa

Finish of cover:

- A = Valencia (synthetic leather)
- B = Field 2, COM (Customer fabric)
- C = Clara 2, Merit, COL (Customer leather)
- D = Curmi, Patio, Remix 2
- E = Canvas 2, Hero, Melange Nap, Scuba
- F = Steelcut Trio 3
- G = Divina Melange 3, Hallingdal 65, Regal
- H = Twill Weave
- L1 = Coast (corrected grain leather)
- L2 = Elmosoft (semi-aniline leather)
- L3 = Elmotique (aniline leather)

Note:

REMOVABLE COVERS:

Removable upholstery (*): FIELD 2, COM, CLARA 2, MERIT, CURMI, PATIO, REMIX 2, CANVAS 2, HERO, MELANGE NAP, STEELCUT TRIO 3, DIVINA MELANGE 3, HALLINGDAL 65, REGAL, TWILL WEAVE.

Fixed upholstery: VALENCIA, COL, SCUBA, COAST, ELMOSOFT, ELMOTIQUE.

(*) The upholstery is TECHNICALLY REMOVABLE but in order to ensure correct adhesion, it must be replaced exclusively by personnel specialised in upholstery.

For info on fabric composition, see inside cover.

For COM/COL orders, see inside cover.

COM consumption: 4,7 ml (H. 140 cm).

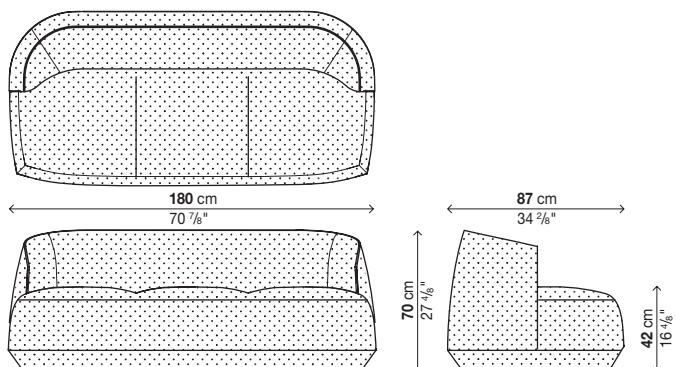
COL consumption: 9,5 mq.

Reinforced packaging, see inside cover.

Code	Cover											pack	m ³	Kg		
	A	B	C	D	E	F	G	H	L1	L2	L3					
29BRI33																

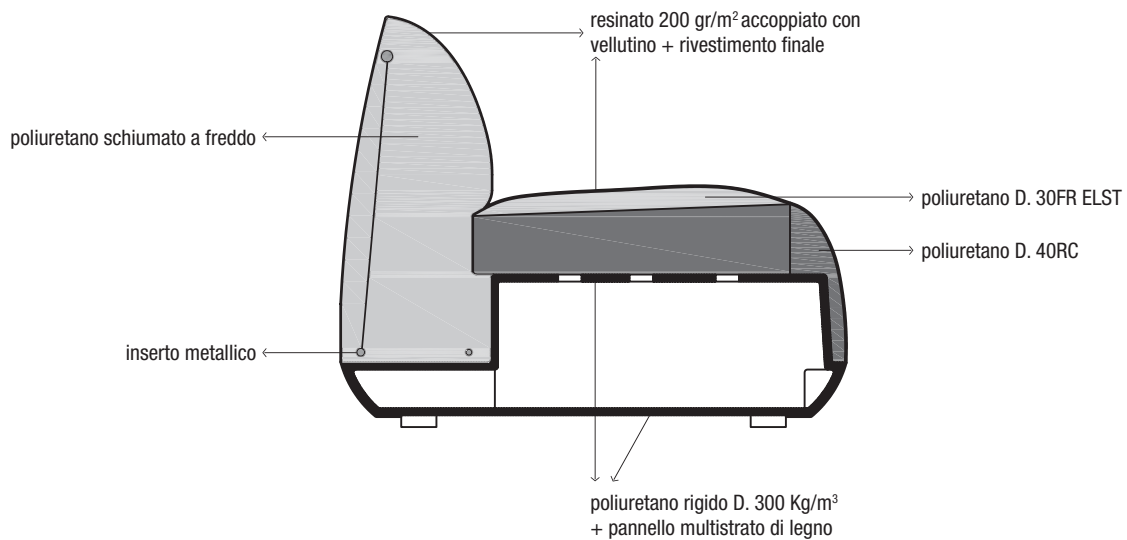
Optionals

Code	Description	pack	m ³	Kg
29BRI33	Fire-retardant	-	-	-
	Cushions, see page 121	-	-	-

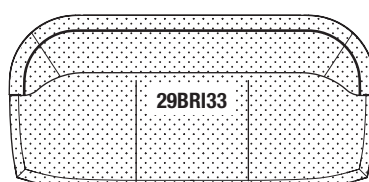
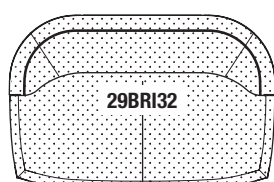
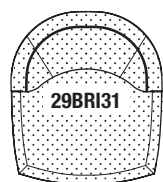


BRIONI-UP

Info



Legenda:



BRIONI-UP

Poltroncina

Finitura rivestimento:

- A = Valencia (pelle sintetica)
- B = Field 2, COM (tessuto Cliente)
- C = Clara 2, Merit, COL (pelle Cliente)
- D = Curmi, Patio, Remix 2
- E = Canvas 2, Hero, Melange Nap, Scuba
- F = Steelcut Trio 3
- G = Divina Melange 3, Hallingdal 65, Regal
- H = Twill Weave
- L1 = Coast (pelle fiore corretto)
- L2 = Elmosoft (pelle semi-anilina)
- L3 = Elmotique (pelle anilina)

Note:

SFODERABILITÀ:
 Rivestimenti sfoderabili (*): FIELD 2, COM, CLARA 2, MERIT, CURMI, PATIO, REMIX 2, CANVAS 2, HERO, MELANGE NAP, STEELCUT TRIO 3, DIVINA MELANGE 3, HALLINGDAL 65, REGAL, TWILL WEAVE.
 Rivestimenti fissi: VALENCIA, COL, SCUBA, COAST, ELMOSOFT, ELMOTIQUE.
 (*) Il rivestimento è TECNICAMENTE SFODERABILE, per garantire una corretta aderenza deve essere ricollocato esclusivamente da personale specializzato in tappezzeria.

Per informazioni su composizioni tessuti vedi interno di copertina.

Per ordini COM/COL vedi interno di copertina.

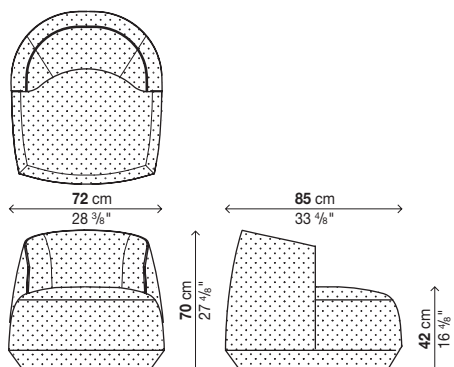
Consumo COM: 2,6 ml (H. 140 cm).
 Consumo COL: 4,2 mq.

Imballi rinforzati vedi interno di copertina.

Codice	Rivestimento											colli	m ³	Kg		
	A	B	C	D	E	F	G	H	L1	L2	L3					
29BRI31																

Optionals

Codice	Descrizione	colli	m ³	Kg
29BRI31	Ignifugo	-	-	-
	Cuscini vedi pag. 121	-	-	-



BRIONI-UP

Divano 2 posti

Finitura rivestimento:

- A = Valencia (pelle sintetica)
- B = Field 2, COM (tessuto Cliente)
- C = Clara 2, Merit, COL (pelle Cliente)
- D = Curmi, Patio, Remix 2
- E = Canvas 2, Hero, Melange Nap, Scuba
- F = Steelcut Trio 3
- G = Divina Melange 3, Hallingdal 65, Regal
- H = Twill Weave
- L1 = Coast (pelle fiore corretto)
- L2 = Elmosoft (pelle semi-anilina)

Note:

SFODERABILITÀ:

Rivestimenti sfoderabili (*): FIELD 2, COM, CLARA 2, MERIT, CURMI, PATIO, REMIX 2, CANVAS 2, HERO, MELANGE NAP, STEELCUT TRIO 3, DIVINA MELANGE 3, HALLINGDAL 65, REGAL, TWILL WEAVE.

Rivestimenti fissi: VALENCIA, COL, SCUBA, COAST, ELMOSOFT, ELMOTIQUE.

(*): Il rivestimento è TECNICAMENTE SFODERABILE, per garantire una corretta aderenza deve essere ricollocato esclusivamente da personale specializzato in tappezzeria.

Per informazioni su composizioni tessuti vedi interno di copertina.

Per ordini COM/COL vedi interno di copertina.

Consumo COM: 3,7 ml (H. 140 cm).

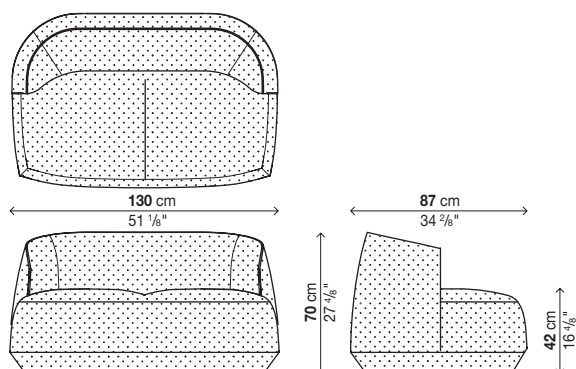
Consumo COL: 7,5 mq.

Imballi rinforzati vedi interno di copertina.

Codice	Rivestimento											colli	m ³	Kg		
	A	B	C	D	E	F	G	H	L1	L2	L3					
29BRI32																

Optionals

Codice	Descrizione	colli	m ³	Kg
29BRI32	Ignifugo	-	-	-
	Cuscini vedi pag. 121	-	-	-



BRIONI-UP

Divano 3 posti

Finitura rivestimento:

- A = Valencia (pelle sintetica)
- B = Field 2, COM (tessuto Cliente)
- C = Clara 2, Merit, COL (pelle Cliente)
- D = Curmi, Patio, Remix 2
- E = Canvas 2, Hero, Melange Nap, Scuba
- F = Steelcut Trio 3
- G = Divina Melange 3, Hallingdal 65, Regal
- H = Twill Weave
- L1 = Coast (pelle fiore corretto)
- L2 = Elmosoft (pelle semi-anilina)
- L3 = Elmotique (pelle anilina)

Note:

SFODERABILITÀ:

Rivestimenti sfoderabili (*): FIELD 2, COM, CLARA 2, MERIT, CURMI, PATIO, REMIX 2, CANVAS 2, HERO, MELANGE NAP, STEELCUT TRIO 3, DIVINA MELANGE 3, HALLINGDAL 65, REGAL, TWILL WEAVE.

Rivestimenti fissi: VALENCIA, COL, SCUBA, COAST, ELMOSOFT, ELMOTIQUE.

(*): Il rivestimento è TECNICAMENTE SFODERABILE, per garantire una corretta aderenza deve essere ricollocato esclusivamente da personale specializzato in tappezzeria.

Per informazioni su composizioni tessuti vedi interno di copertina.

Per ordini COM/COL vedi interno di copertina.

Consumo COM: 4,7 ml (H. 140 cm).

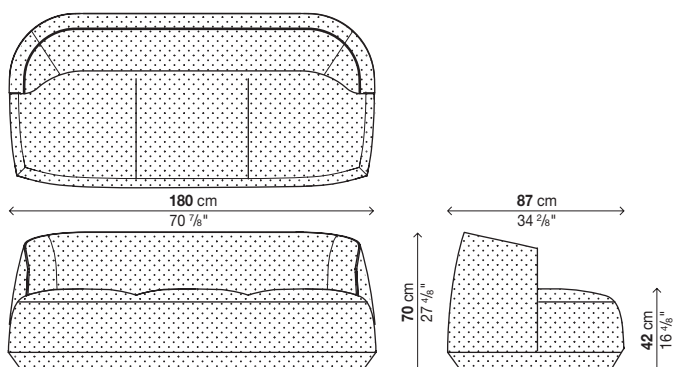
Consumo COL: 9,5 mq.

Imballi rinforzati vedi interno di copertina.

Codice	Rivestimento											colli	m ³	Kg		
	A	B	C	D	E	F	G	H	L1	L2	L3					
29BRI33																

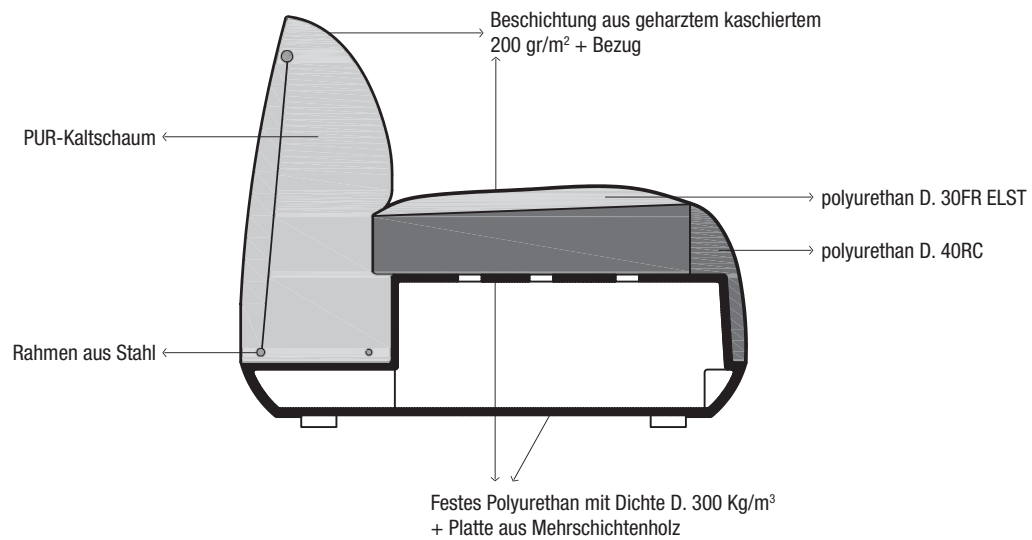
Optionals

Codice	Descrizione	colli	m ³	Kg
29BRI33	Ignifugo	-	-	-
	Cuscini vedi pag. 121	-	-	-

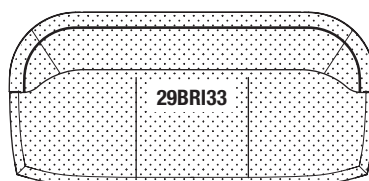
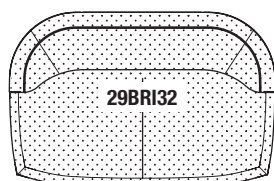
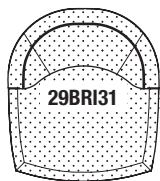


BRIONI-UP

Info



Legende:



BRIONI-UP

Sessel

Ausführung des Bezugs:

- A = Valencia (Synthetische Leder)
- B = Field 2, COM (Kundenstoff)
- C = Clara 2, Merit, COL (Kundenleder)
- D = Curmi, Patio, Remix 2
- E = Canvas 2, Hero, Melange Nap, Scuba
- F = Steelcut Trio 3
- G = Divina Melange 3, Hallingdal 65, Regal
- H = Twill Weave
- L1 = Coast (Nubukleder)
- L2 = Elmosoft (Semianilinleder)
- L3 = Elmotique (Anilinleder)

Anmerkung:

ABZIEHBAR:

Abziehbare Bezüge (*): FIELD 2, COM, CLARA 2, MERIT, CURMI, PATIO, REMIX 2, CANVAS 2, HERO, MELANGE NAP, STEELCUT TRIO 3, DIVINA MELANGE 3, HALLINGDAL 65, REGAL, TWILL WEAVE.

Fixe Bezüge: VALENCIA, COL, SCUBA, COAST, ELMOSOFT, ELMOTIQUE.

(*) Der Bezug ist TECHNISCH GESEHEN ABZIEHBAR, um seinen perfekten Sitz zu garantieren, sollte er jedoch ausschließlich von Fachkräften des Polsterhandwerks aufgezogen werden.

Für Informationen zur Zusammensetzung der Stoffe siehe Innenseite des Umschlags.

Für Aufträge mit COM/COL siehe Innenseite des Umschlags.

Verbrauch COM: 2,6 ml (H. 140 cm).

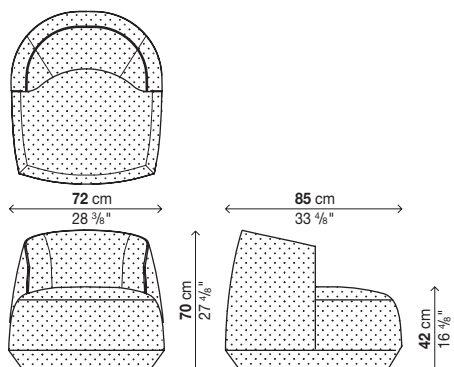
Verbrauch COL: 4,2 mq.

Für verstärkte Verpackungen siehe Innenseite des Umschlags.

Art.-Nr.	Bezug											koli	m ³	Kg		
	A	B	C	D	E	F	G	H	L1	L2	L3					
29BRI31																

Optionen

Art.-Nr.	Beschreibung	koli	m ³	Kg
29BRI31	Feuerfest	-	-	-
	Kissen, siehe Seite 121	-	-	-



BRIONI-UP

Zweisitzer-Sofa

Ausführung des Bezugs:

- A = Valencia (Synthetische Leder)
- B = Field 2, COM (Kundenstoff)
- C = Clara 2, Merit, COL (Kundenleder)
- D = Curmi, Patio, Remix 2
- E = Canvas 2, Hero, Melange Nap, Scuba
- F = Steelcut Trio 3
- G = Divina Melange 3, Hallingdal 65, Regal
- H = Twill Weave
- L1 = Coast (Nubukleder)
- L2 = Elmosoft (Semianilinleder)
- L3 = Elmotique (Anilinleder)

Anmerkung:

ABZIEHBAR:
 Abziehbare Bezüge (*): FIELD 2, COM, CLARA 2, MERIT, CURMI, PATIO, REMIX 2, CANVAS 2, HERO, MELANGE NAP, STEELCUT TRIO 3, DIVINA MELANGE 3, HALLINGDAL 65, REGAL, TWILL WEAVE.
 Fixe Bezüge: VALENCIA, COL, SCUBA, COAST, ELMOSOFT, ELMOTIQUE.
 (*) Der Bezug ist TECHNISCH GESEHEN ABZIEHBAR, um seinen perfekten Sitz zu garantieren, sollte er jedoch ausschließlich von Fachkräften des Polsterhandwerks aufgezogen werden.

Für Informationen zur Zusammensetzung der Stoffe siehe Innenseite des Umschlags.

Für Aufträge mit COM/COL siehe Innenseite des Umschlags.

Verbrauch COM: 3,7 ml (H. 140 cm).

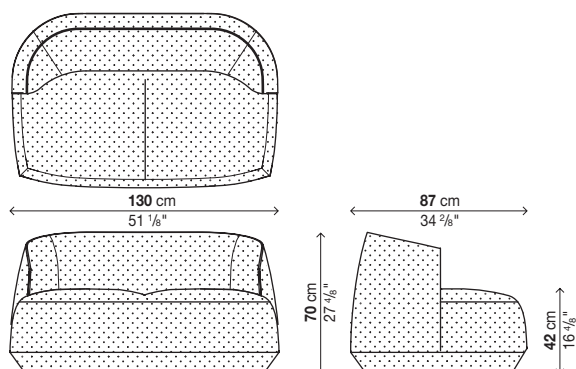
Verbrauch COL: 7,5 mq.

Für verstärkte Verpackungen siehe Innenseite des Umschlags.

Art.-Nr.	Bezug											kolli	m ³	Kg		
	A	B	C	D	E	F	G	H	L1	L2	L3					
29BRI32																

Optionen

Art.-Nr.	Beschreibung	kolli	m ³	Kg
29BRI32	Feuerfest	-	-	-
	Kissen, siehe Seite 121	-	-	-



BRIONI-UP

Dreisitzer-Sofa

Ausführung des Bezugs:

- A = Valencia (Synthetische Leder)
- B = Field 2, COM (Kundenstoff)
- C = Clara 2, Merit, COL (Kundenleder)
- D = Curmi, Patio, Remix 2
- E = Canvas 2, Hero, Melange Nap, Scuba
- F = Steelcut Trio 3
- G = Divina Melange 3, Hallingdal 65, Regal
- H = Twill Weave
- L1 = Coast (Nubukleder)
- L2 = Elmosoft (Semianilinleder)
- L3 = Elmotique (Anilinleder)

Anmerkung:

ABZIEHBAR:
 Abziehbare Bezüge (*): FIELD 2, COM, CLARA 2, MERIT, CURMI, PATIO, REMIX 2, CANVAS 2, HERO, MELANGE NAP, STEELCUT TRIO 3, DIVINA MELANGE 3, HALLINGDAL 65, REGAL, TWILL WEAVE.
 Fixe Bezüge: VALENCIA, COL, SCUBA, COAST, ELMOSOFT, ELMOTIQUE.
 (*) Der Bezug ist TECHNISCH GESEHEN ABZIEHBAR, um seinen perfekten Sitz zu garantieren, sollte er jedoch ausschließlich von Fachkräften des Polsterhandwerks aufgezogen werden.

Für Informationen zur Zusammensetzung der Stoffe siehe Innenseite des Umschlags.

Für Aufträge mit COM/COL siehe Innenseite des Umschlags.

Verbrauch COM: 4,7 ml (H. 140 cm).

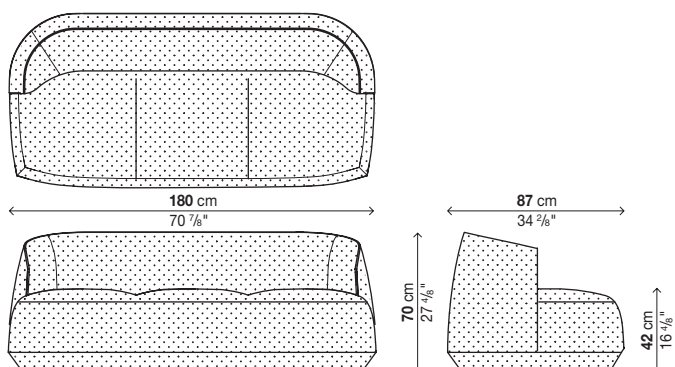
Verbrauch COL: 9,5 mq.

Für verstärkte Verpackungen siehe Innenseite des Umschlags.

Art.-Nr.	Bezug											kolli	m ³	Kg			
	A	B	C	D	E	F	G	H	L1	L2	L3						
29BRI33																	

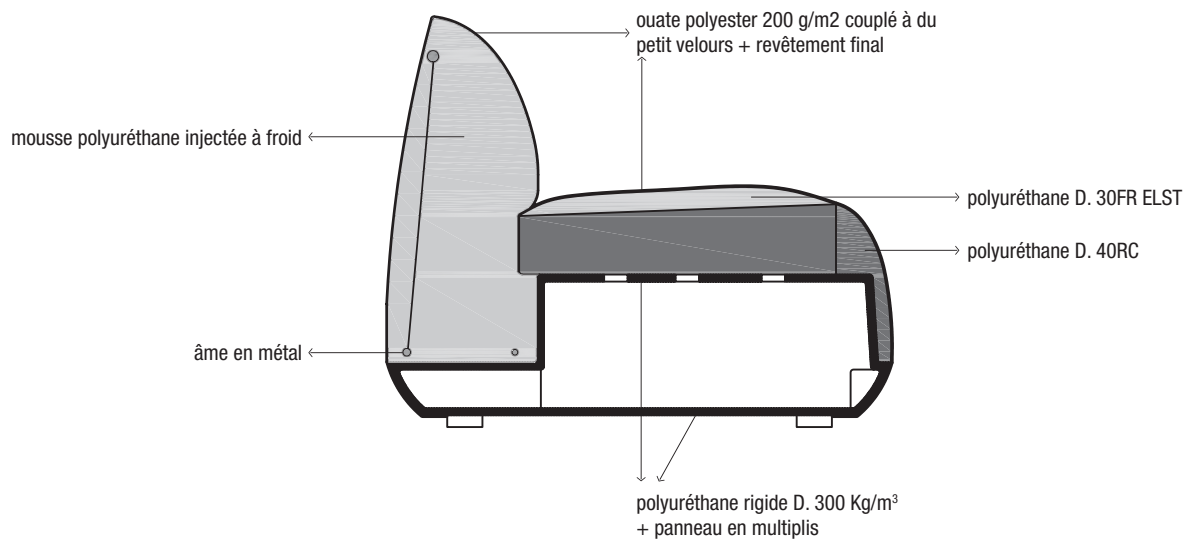
Optionen

Art.-Nr.	Beschreibung	kolli	m ³	Kg
29BRI33	Feuerfest	-	-	-
	Kissen, siehe Seite 121	-	-	-

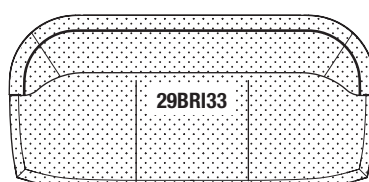
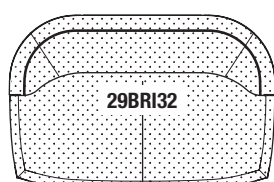
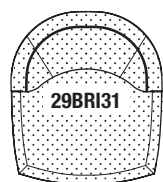


BRIONI-UP

Info



Légende:



BRIONI-UP

Fauteuil

Finition du revêtement:

- A = Valencia (cuir synthétique)
- B = Field 2, COM (tissu Client)
- C = Clara 2, Merit, COL (cuir du Client)
- D = Curmi, Patio, Remix 2
- E = Canvas 2, Hero, Melange Nap, Scuba
- F = Steelcut Trio 3
- G = Divina Melange 3, Hallingdal 65, Regal
- H = Twill Weave
- L1 = Coast (cuir fleur corrigé)
- L2 = Elmosoft (cuir semi-aniline)
- L3 = Elmotique (cuir aniline)

Notes:

DÉHOUSSABILITÉ:

Revêtements déhoussables (*): FIELD 2, COM, CLARA 2, MERIT, CURMI, PATIO, REMIX 2, CANVAS 2, HERO, MELANGE NAP, STEELCUT TRIO 3, DIVINA MELANGE 3, HALLINGDAL 65, REGAL, TWILL WEAVE.
Revêtements fixes: VALENCIA, COL, SCUBA, COAST, ELMOSOFT, ELMOTIQUE.

(* Le revêtement est TECHNIQUEMENT DÉHOUSSABLE. Toutefois, afin de garantir une parfaite adhérence, il devra être remis par un personnel spécialisé en tissus d'ameublement ou par un tapissier.

Pour toute information sur les compositions des tissus, voir intérieur de la couverture.

Pour les commandes COM/COL, voir intérieur de la couverture.

Consommation COM: 2,6 ml (H. 140 cm).

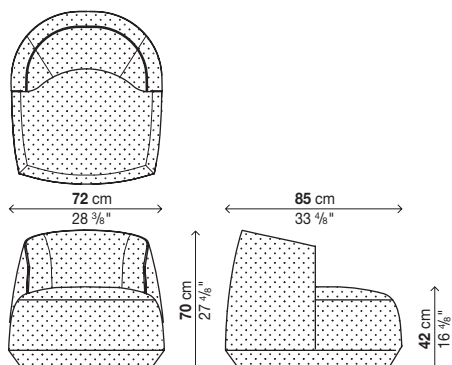
Consommation COL: 4,2 mq.

Emballages renforcés, voir intérieur de la couverture.

Code	Revêtement											colis	m ³	Kg		
	A	B	C	D	E	F	G	H	L1	L2	L3					
29BRI31																

Optionals

Code	Description	colis	m ³	Kg
29BRI31	Ignifuge	-	-	-
	Coussins, voir page 121	-	-	-



BRIONI-UP

Canapé 2 places

Finition du revêtement:

- A = Valencia (cuir synthétique)
- B = Field 2, COM (tissu Client)
- C = Clara 2, Merit, COL (cuir du Client)
- D = Curmi, Patio, Remix 2
- E = Canvas 2, Hero, Melange Nap, Scuba
- F = Steelcut Trio 3
- G = Divina Melange 3, Hallingdal 65, Regal
- H = Twill Weave
- L1 = Coast (cuir fleur corrigé)
- L2 = Elmosoft (cuir semi-aniline)
- L3 = Elmotique (cuir aniline)

Notes:

DÉHOUSSABILITÉ:

Revêtements déhoussables (*): FIELD 2, COM, CLARA 2, MERIT, CURMI, PATIO, REMIX 2, CANVAS 2, HERO, MELANGE NAP, STEELCUT TRIO 3, DIVINA MELANGE 3, HALLINGDAL 65, REGAL, TWILL WEAVE.
 Revêtements fixes: VALENCIA, COL, SCUBA, COAST, ELMOSOFT, ELMOTIQUE.

(*) Le revêtement est TECHNIQUEMENT DÉHOUSSABLE. Toutefois, afin de garantir une parfaite adhérence, il devra être remis par un personnel spécialisé en tissus d'ameublement ou par un tapissier.

Pour toute information sur les compositions des tissus, voir intérieur de la couverture.

Pour les commandes COM/COL, voir intérieur de la couverture.

Consommation COM: 3,7 ml (H. 140 cm).

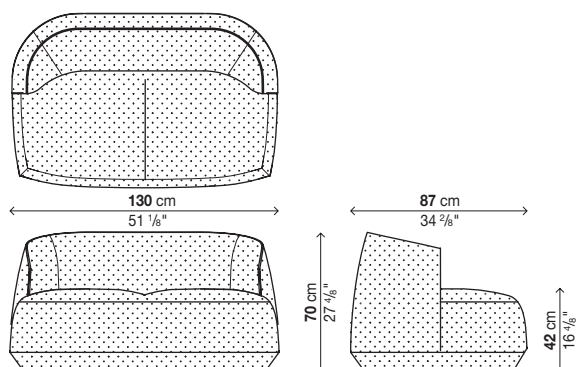
Consommation COL: 7,5 mq.

Emballages renforcés, voir intérieur de la couverture.

Code	Revêtement											colis	m ³	Kg		
	A	B	C	D	E	F	G	H	L1	L2	L3					
29BRI32																

Optionals

Code	Description	colis	m ³	Kg
29BRI32	Ignifuge	-	-	-
	Coussins, voir page 121	-	-	-



BRIONI-UP

Canapé 3 places

Finition du revêtement:

- A = Valencia (cuir synthétique)
- B = Field 2, COM (tissu Client)
- C = Clara 2, Merit, COL (cuir du Client)
- D = Curmi, Patio, Remix 2
- E = Canvas 2, Hero, Melange Nap, Scuba
- F = Steelcut Trio 3
- G = Divina Melange 3, Hallingdal 65, Regal
- H = Twill Weave
- L1 = Coast (cuir fleur corrigé)
- L2 = Elmosoft (cuir semi-aniline)
- L3 = Elmotique (cuir aniline)

Notes:

DÉHOUSSABILITÉ:

Revêtements déhoussables (*): FIELD 2, COM, CLARA 2, MERIT, CURMI, PATIO, REMIX 2, CANVAS 2, HERO, MELANGE NAP, STEELCUT TRIO 3, DIVINA MELANGE 3, HALLINGDAL 65, REGAL, TWILL WEAVE.
 Revêtements fixes: VALENCIA, COL, SCUBA, COAST, ELMOSOFT, ELMOTIQUE.

(*) Le revêtement est TECHNIQUEMENT DÉHOUSSABLE. Toutefois, afin de garantir une parfaite adhérence, il devra être remis par un personnel spécialisé en tissus d'ameublement ou par un tapissier.

Pour toute information sur les compositions des tissus, voir intérieur de la couverture.

Pour les commandes COM/COL, voir intérieur de la couverture.

Consommation COM: 4,7 ml (H. 140 cm).

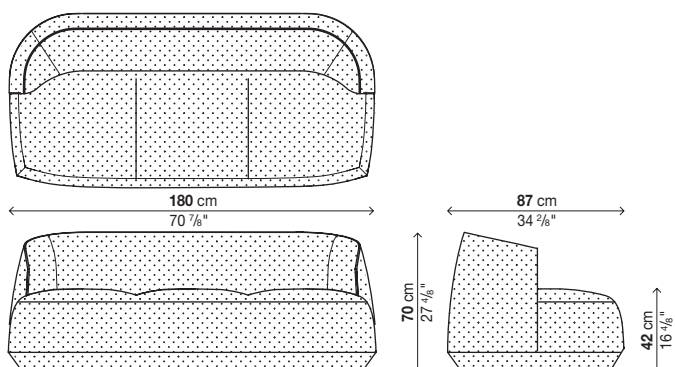
Consommation COL: 9,5 mq.

Emballages renforcés, voir intérieur de la couverture.

Code	Revêtement											colis	m ³	Kg		
	A	B	C	D	E	F	G	H	L1	L2	L3					
29BRI33																

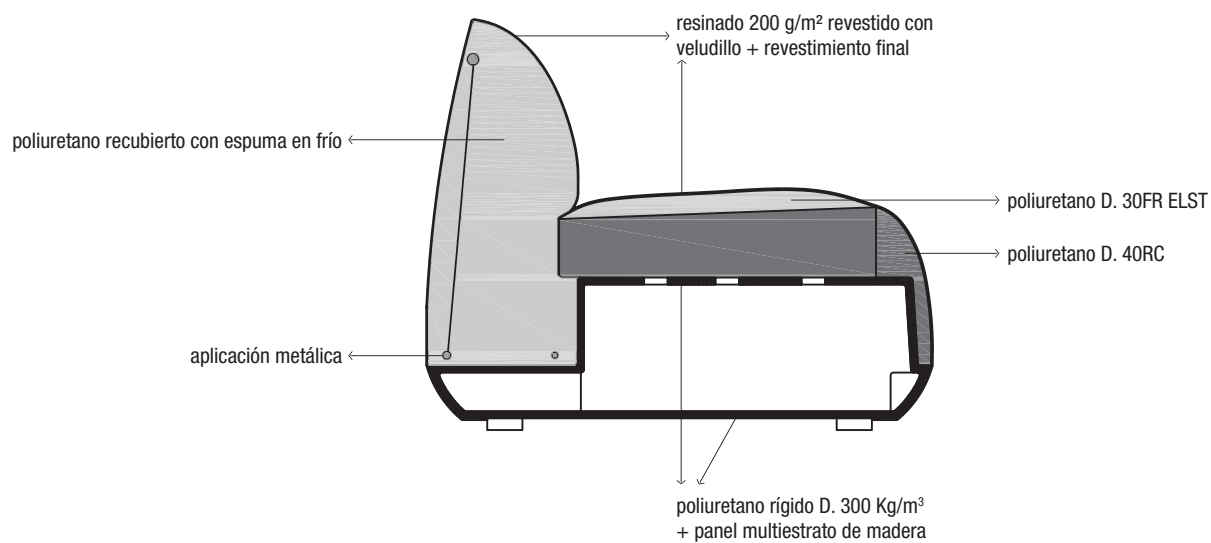
Optionals

Code	Description	colis	m ³	Kg
29BRI33	Ignifuge	-	-	-
	Coussins, voir page 121	-	-	-

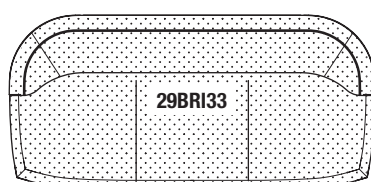
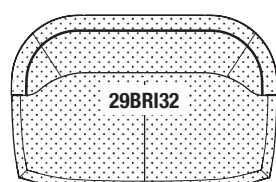
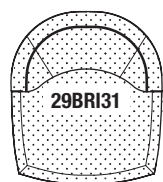


BRIONI-UP

Info



Leyenda:



BRIONI-UP

Butaca

Acabado revestimiento:

- A = Valencia (piel sintética)
- B = Field 2, COM (tejido Cliente)
- C = Clara 2, Merit, COL (piel del Cliente)
- D = Curmi, Patio, Remix 2
- E = Canvas 2, Hero, Melange Nap, Scuba
- F = Steelcut Trio 3
- G = Divina Melange 3, Hallingdal 65, Regal
- H = Twill Weave
- L1 = Coast (piel flor corregida)
- L2 = Elmosoft (piel semi-anilina)
- L3 = Elmotique (piel anilina)

Notas:

DESENFUNDABILIDAD:

Revestimientos desenfundables (*): FIELD 2, COM, CLARA 2, MERIT, CURMI, PATIO, REMIX 2, CANVAS 2, HERO, MELANGE NAP, STEELCUT TRIO 3, DIVINA MELANGE 3, HALLINGDAL 65, REGAL, TWILL WEAVE. Revestimientos fijos: VALENCIA, COL, SCUBA, COAST, ELMOSOFT, ELMOTIQUE.

(* El revestimiento es TÉCNICAMENTE DESENFUNDABLE, para garantizar una correcta adherencia debe ser recolocado exclusivamente por personal especializado en tapicería.

Para obtener información sobre las composiciones de los tejidos, ver lado interno de la portada.

Para pedidos COM/COL ver lado interno de la portada.

Consumo COM: 2,6 ml (H. 140 cm).

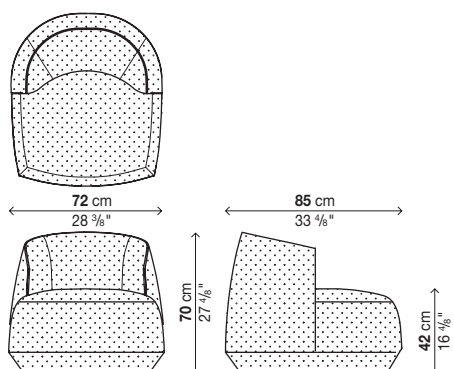
Consumo COL: 4,2 mq.

Embalajes reforzados, ver lado interno de la portada.

Código	Revestimiento											pack	m ³	Kg		
	A	B	C	D	E	F	G	H	L1	L2	L3					
29BRI31																

Opcionales

Código	Descripción	pack	m ³	Kg
29BRI31	Ignifugo	-	-	-
	Cojines, ver página 121	-	-	-



BRIONI-UP

Sofá 2 plazas

Acabado revestimiento:

- A = Valencia (piel sintética)
- B = Field 2, COM (tejido Cliente)
- C = Clara 2, Merit, COL (piel del Cliente)
- D = Curmi, Patio, Remix 2
- E = Canvas 2, Hero, Melange Nap, Scuba
- F = Steelcut Trio 3
- G = Divina Melange 3, Hallingdal 65, Regal
- H = Twill Weave
- L1 = Coast (piel flor corregida)
- L2 = Elmosoft (piel semi-anilina)
- L3 = Elmotique (piel anilina)

Notas:

DESENFUNDABILIDAD:

Revestimientos desenfundables (*): FIELD 2, COM, CLARA 2, MERIT, CURMI, PATIO, REMIX 2, CANVAS 2, HERO, MELANGE NAP, STEELCUT TRIO 3, DIVINA MELANGE 3, HALLINGDAL 65, REGAL, TWILL WEAVE.
 Revestimientos fijos: VALENCIA, COL, SCUBA, COAST, ELMOSOFT, ELMOTIQUE.

(*). El revestimiento es TÉCNICAMENTE DESENFUNDABLE, para garantizar una correcta adherencia debe ser recolocado exclusivamente por personal especializado en tapicería.

Para obtener información sobre las composiciones de los tejidos, ver lado interno de la portada.

Para pedidos COM/COL ver lado interno de la portada.

Consumo COM: 3,7 ml (H. 140 cm).

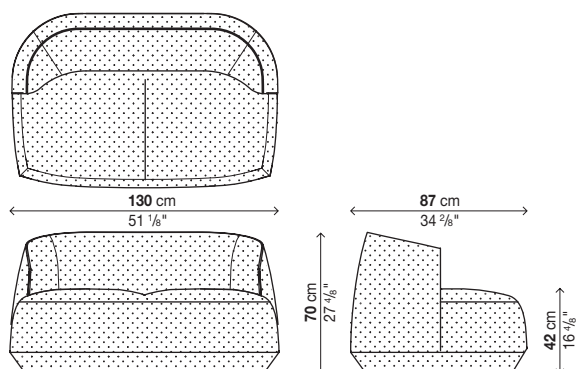
Consumo COL: 7,5 mq.

Embalajes reforzados, ver lado interno de la portada.

Código	Revestimiento											pack	m ³	Kg		
	A	B	C	D	E	F	G	H	L1	L2	L3					
29BRI32																

Opcionales

Código	Descripción	pack	m ³	Kg
29BRI32	Ignifugo	-	-	-
	Cojines, ver página 121	-	-	-



BRIONI-UP

Sofá 3 plazas

Acabado revestimiento:

- A = Valencia (piel sintética)
- B = Field 2, COM (tejido Cliente)
- C = Clara 2, Merit, COL (piel del Cliente)
- D = Curmi, Patio, Remix 2
- E = Canvas 2, Hero, Melange Nap, Scuba
- F = Steelcut Trio 3
- G = Divina Melange 3, Hallingdal 65, Regal
- H = Twill Weave
- L1 = Coast (piel flor corregida)
- L2 = Elmosoft (piel semi-anilina)
- L3 = Elmotique (piel anilina)

Notas:

DESENFUNDABILIDAD:

Revestimientos desenfundables (*): FIELD 2, COM, CLARA 2, MERIT, CURMI, PATIO, REMIX 2, CANVAS 2, HERO, MELANGE NAP, STEELCUT TRIO 3, DIVINA MELANGE 3, HALLINGDAL 65, REGAL, TWILL WEAVE. Revestimientos fijos: VALENCIA, COL, SCUBA, COAST, ELMOSOFT, ELMOTIQUE.

(* El revestimiento es TÉCNICAMENTE DESENFUNDABLE, para garantizar una correcta adherencia debe ser recolocado exclusivamente por personal especializado en tapicería.

Para obtener información sobre las composiciones de los tejidos, ver lado interno de la portada.

Para pedidos COM/COL ver lado interno de la portada.

Consumo COM: 4,7 ml (H. 140 cm).

Consumo COL: 9,5 mq.

Embalajes reforzados, ver lado interno de la portada.

Código	Revestimiento											pack	m ³	Kg		
	A	B	C	D	E	F	G	H	L1	L2	L3					
29BRI33																

Opcionales

Código	Descripción	pack	m ³	Kg
29BRI33	Ignifugo	-	-	-
	Cojines, ver página 121	-	-	-

