

Choose the language

English

Italiano

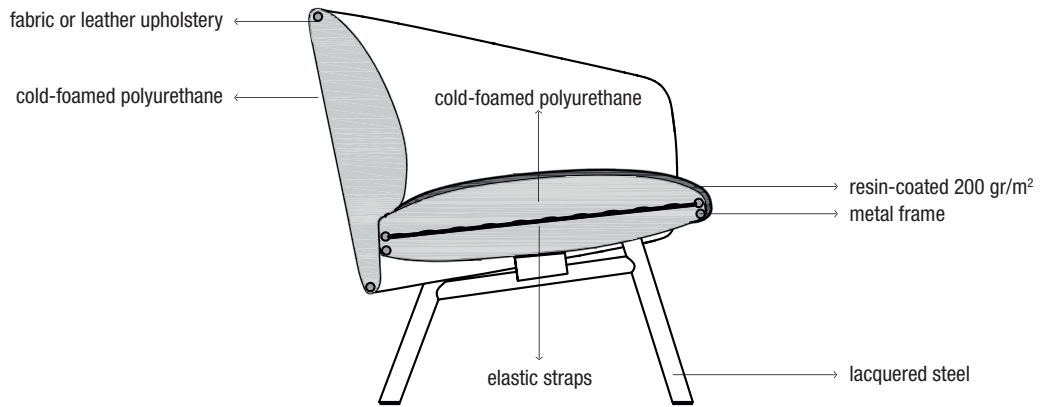
Deutsch

Français

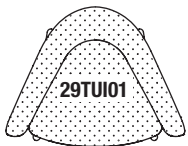
Español

TUILE

Info



Legend:



TUILE

3 seater sofa

Base finish:

White lacquered steel (colour reference "White polyurethane P001")
 Black lacquered steel (colour reference "Black polyurethane P003")
 Terracotta lacquered steel (colour reference "Terracotta polyurethane P006")
 Olive green lacquered steel (colour reference "Olive green polyurethane P008")
 London grey lacquered steel (colour reference "London grey 0718 Fenix-NTM®")

Finish of cover:

A = Valencia (synthetic leather)
 B = Field 2, COM (Customer fabric)
 C = Merit, COL (Customer leather)
 D = Clara 2, Patio, Regal, Remix 2
 E = Curmi, Hero, Melange Nap
 F = Canvas 2, Scuba, Steelcut trio 3
 G = Divina Melange 3, Hallingdal 65
 H = Twill Weave
 L1 = Coast (corrected grain leather)
 L2 = Elmosoft (semi-aniline leather)
 L3 = Elmotique (aniline leather)

Note:

REMOVABLE COVERS:
 Removable upholstery (*): FIELD 2, COM, CLARA 2, MERIT, CURMI, PATIO, REMIX 2, CANVAS 2, HERO, MELANGE NAP, STEELCUT TRIO 3, DIVINA MELANGE 3, HALLINGDAL 65, REGAL, TWILL WEAVE.
 Fixed upholstery: VALENCIA, COL, SCUBA, COAST, ELMOSOFT, ELMOTIQUE.
 (*) The upholstery is TECHNICALLY REMOVABLE but in order to ensure correct adhesion, it must be replaced exclusively by personnel specialised in upholstery.

For info on fabric composition, see inside cover.

For COM/COL orders, see inside cover.

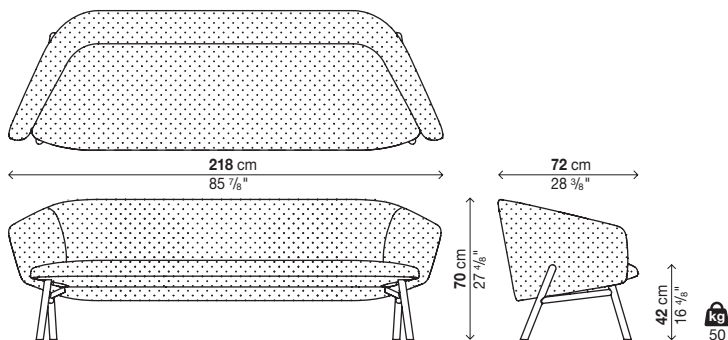
COM consumption: 4,8 ml (H. 140 cm).
 COL consumption: 9,1 mq.

Reinforced packaging, see inside cover.

Code	Base	Cover											pack	m ³	Kg			
		A	B	C	D	E	F	G	H	L1	L2	L3						
29TUI03	Lacquered steel															1	1,75	85

Optionals

Code	Description	pack	m ³	Kg
29TUI03	Fire-retardant	-	-	-
	Cushions, see page 121	-	-	-



TUILE

2 seater sofa

Base finish:

White lacquered steel (colour reference "White polyurethane P001")
 Black lacquered steel (colour reference "Black polyurethane P003")
 Terracotta lacquered steel (colour reference "Terracotta polyurethane P006")
 Olive green lacquered steel (colour reference "Olive green polyurethane P008")
 London grey lacquered steel (colour reference "London grey 0718 Fenix-NTM®")

Finish of cover:

A = Valencia (synthetic leather)
 B = Field 2, COM (Customer fabric)
 C = Merit, COL (Customer leather)
 D = Clara 2, Patio, Regal, Remix 2
 E = Curmi, Hero, Melange Nap
 F = Canvas 2, Scuba, Steelcut trio 3
 G = Divina Melange 3, Hallingdal 65
 H = Twill Weave
 L1 = Coast (corrected grain leather)
 L2 = Elmosoft (semi-aniline leather)
 L3 = Elmotique (aniline leather)

Note:

REMOVABLE COVERS:
 Removable upholstery (*): FIELD 2, COM, CLARA 2, MERIT, CURMI, PATIO, REMIX 2, CANVAS 2, HERO, MELANGE NAP, STEELCUT TRIO 3, DIVINA MELANGE 3, HALLINGDAL 65, REGAL, TWILL WEAVE.
 Fixed upholstery: VALENCIA, COL, SCUBA, COAST, ELMOSOFT, ELMOTIQUE.
 (*) The upholstery is TECHNICALLY REMOVABLE but in order to ensure correct adhesion, it must be replaced exclusively by personnel specialised in upholstery.

For info on fabric composition, see inside cover.

For COM/COL orders, see inside cover.

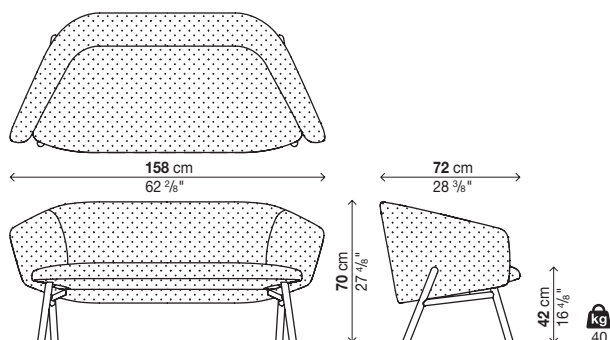
COM consumption: 3,6 ml (H. 140 cm).
 COL consumption: 6,8 mq.

Reinforced packaging, see inside cover.

Code	Base	Cover											pack	m ³	Kg			
		A	B	C	D	E	F	G	H	L1	L2	L3						
29TUI02	Lacquered steel															1	1,3	78

Optionals

Code	Description	pack	m ³	Kg
29TUI02	Fire-retardant	-	-	-
	Cushions, see page 121	-	-	-



TUILE

Armchair

Base finish:

White lacquered steel (colour reference "White polyurethane P001")
 Black lacquered steel (colour reference "Black polyurethane P003")
 Terracotta lacquered steel (colour reference "Terracotta polyurethane P006")
 Olive green lacquered steel (colour reference "Olive green polyurethane P008")
 London grey lacquered steel (colour reference "London grey 0718 Fenix-NTM®")

Finish of cover:

A = Valencia (synthetic leather)
 B = Field 2, COM (Customer fabric)
 C = Merit, COL (Customer leather)
 D = Clara 2, Patio, Regal, Remix 2
 E = Curmi, Hero, Melange Nap
 F = Canvas 2, Scuba, Steelcut trio 3
 G = Divina Melange 3, Hallingdal 65
 H = Twill Weave
 L1 = Coast (corrected grain leather)
 L2 = Elmosoft (semi-aniline leather)
 L3 = Elmotique (aniline leather)

Note:

REMOVABLE COVERS:
 Removable upholstery (*): FIELD 2, COM, CLARA 2, MERIT, CURMI, PATIO, REMIX 2, CANVAS 2, HERO, MELANGE NAP, STEELCUT TRIO 3, DIVINA MELANGE 3, HALLINGDAL 65, REGAL, TWILL WEAVE.
 Fixed upholstery: VALENCIA, COL, SCUBA, COAST, ELMOSOFT, ELMOTIQUE.
 (*) The upholstery is TECHNICALLY REMOVABLE but in order to ensure correct adhesion, it must be replaced exclusively by personnel specialised in upholstery.

For info on fabric composition, see inside cover.

For COM/COL orders, see inside cover.

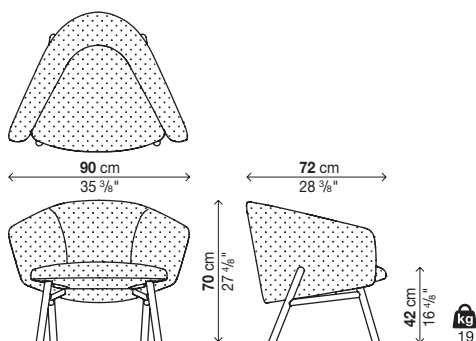
COM consumption: 2,2 ml (H. 140 cm).
 COL consumption: 4,2 mq.

Reinforced packaging, see inside cover.

Code	Base	Cover											pack	m ³	Kg			
		A	B	C	D	E	F	G	H	L1	L2	L3						
29TUI01	Lacquered steel															1	0,75	40

Optionals

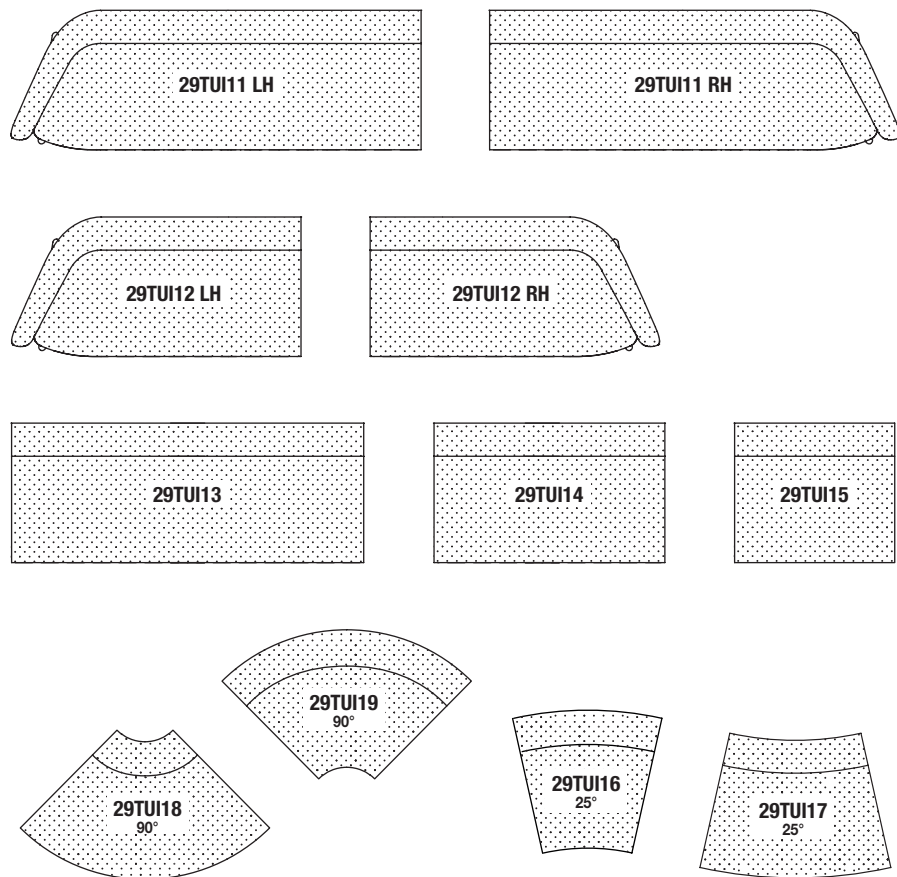
Code	Description	pack	m ³	Kg
29TUI01	Fire-retardant	-	-	-
	Cushions, see page 121	-	-	-



TUILE SYSTEM

Info

Legend:

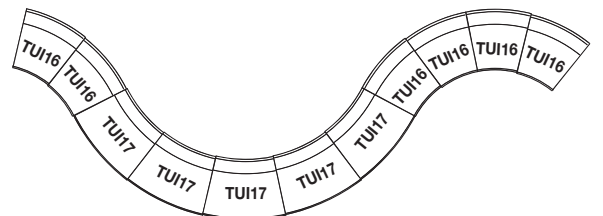
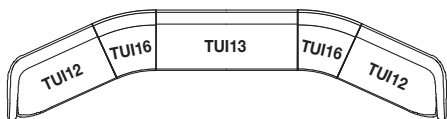
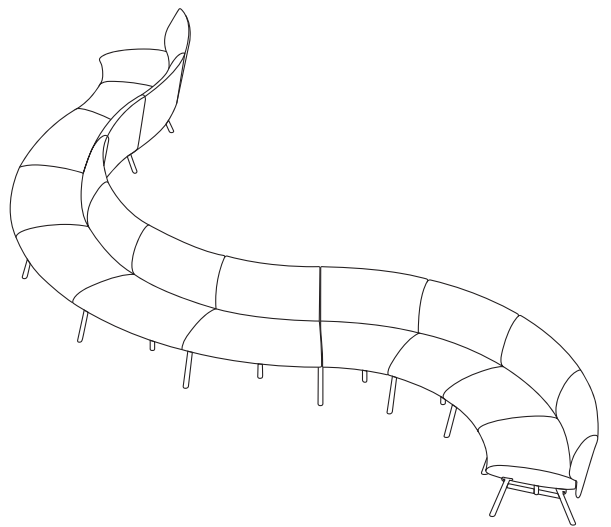
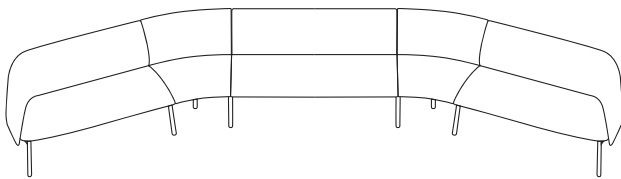
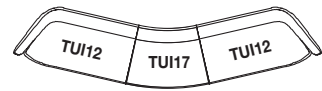
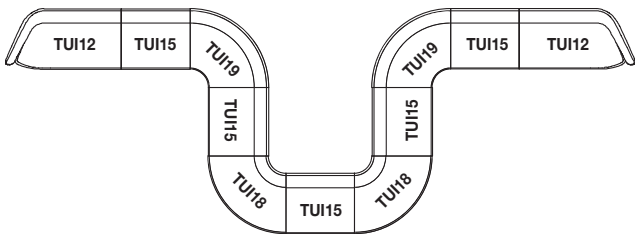
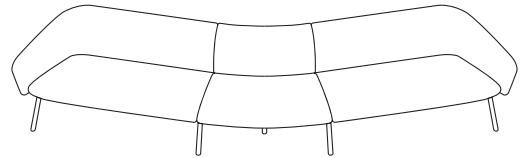
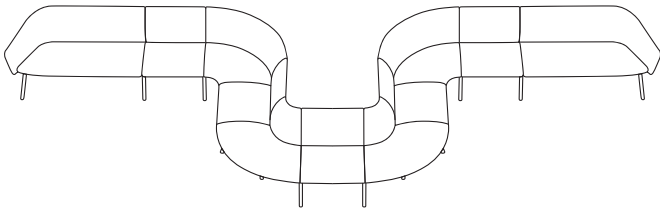
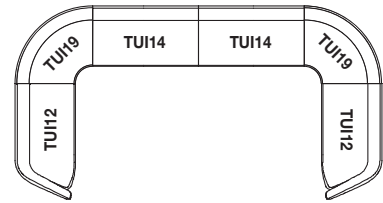
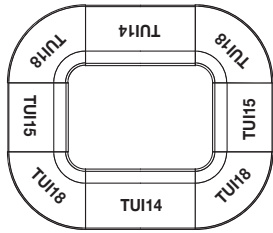
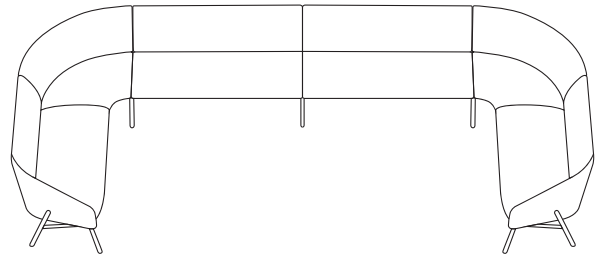
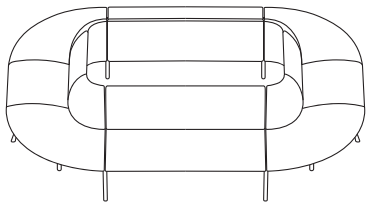


Attention:

Add the sketch of the arrangement with the list of each single element to the order.

TUILE SYSTEM

Examples of composition



TUILE SYSTEM

Terminal module 3 seat rh/lh

Base finish:

White lacquered steel (colour reference "White polyurethane P001")
 Black lacquered steel (colour reference "Black polyurethane P003")
 Terracotta lacquered steel (colour reference "Terracotta polyurethane P006")
 Olive green lacquered steel (colour reference "Olive green polyurethane P008")
 London grey lacquered steel (colour reference "London grey 0718 Fenix-NTM®")

Finish of cover:

A = Valencia (synthetic leather)
 B = Field 2, COM (Customer fabric)
 C = Merit, COL (Customer leather)
 D = Clara 2, Patio, Regal, Remix 2
 E = Curmi, Hero, Melange Nap
 F = Canvas 2, Scuba, Steelcut trio 3
 G = Divina Melange 3, Hallingdal 65
 H = Twill Weave
 L1 = Coast (corrected grain leather)
 L2 = Elmosoft (semi-aniline leather)
 L3 = Elmotique (aniline leather)

Note:

REMOVABLE COVERS:
 Removable upholstery (*): FIELD 2, COM, CLARA 2, MERIT, CURMI, PATIO, REMIX 2, CANVAS 2, HERO, MELANGE NAP, STEELCUT TRIO 3, DIVINA MELANGE 3, HALLINGDAL 65, REGAL, TWILL WEAVE.
 Fixed upholstery: VALENCIA, COL, SCUBA, COAST, ELMOSOFT, ELMOTIQUE.
 (*) The upholstery is TECHNICALLY REMOVABLE but in order to ensure correct adhesion, it must be replaced exclusively by personnel specialised in upholstery.

For info on fabric composition, see inside cover.

For COM/COL orders, see inside cover.

COM consumption: 4,9 ml (H. 140 cm).
 COL consumption: 9,8 mq.

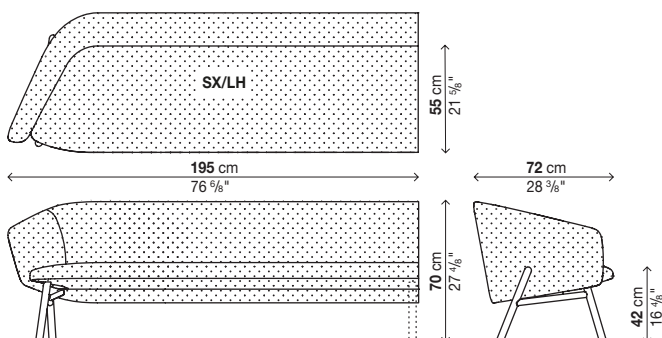
Reinforced packaging, see inside cover.

Code	Base	Cover											pack	m ³	Kg		
		A	B	C	D	E	F	G	H	L1	L2	L3					
29TUI11	Lacquered steel																

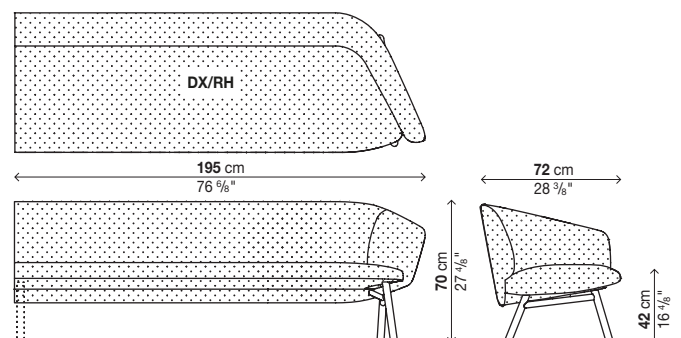
Optionals

Code	Description	pack	m ³	Kg
29TUI11	Fire-retardant	-	-	-
	Cushions, see page 121	-	-	-

20TUI11 SX/LH



20TUI11 DX/RH



TUILE SYSTEM

Terminal module 2 seat rh/lh

Base finish:

White lacquered steel (colour reference "White polyurethane P001")
 Black lacquered steel (colour reference "Black polyurethane P003")
 Terracotta lacquered steel (colour reference "Terracotta polyurethane P006")
 Olive green lacquered steel (colour reference "Olive green polyurethane P008")
 London grey lacquered steel (colour reference "London grey 0718 Fenix-NTM®")

Finish of cover:

A = Valencia (synthetic leather)
 B = Field 2, COM (Customer fabric)
 C = Merit, COL (Customer leather)
 D = Clara 2, Patio, Regal, Remix 2
 E = Curmi, Hero, Melange Nap
 F = Canvas 2, Scuba, Steelcut trio 3
 G = Divina Melange 3, Hallingdal 65
 H = Twill Weave
 L1 = Coast (corrected grain leather)
 L2 = Elmosoft (semi-aniline leather)
 L3 = Elmotique (aniline leather)

Note:

REMOVABLE COVERS:
 Removable upholstery (*): FIELD 2, COM, CLARA 2, MERIT, CURMI, PATIO, REMIX 2, CANVAS 2, HERO, MELANGE NAP, STEELCUT TRIO 3, DIVINA MELANGE 3, HALLINGDAL 65, REGAL, TWILL WEAVE.
 Fixed upholstery: VALENCIA, COL, SCUBA, COAST, ELMOSOFT, ELMOTIQUE.
 (*) The upholstery is TECHNICALLY REMOVABLE but in order to ensure correct adhesion, it must be replaced exclusively by personnel specialised in upholstery.

For info on fabric composition, see inside cover.

For COM/COL orders, see inside cover.

COM consumption: 3,7 ml (H. 140 cm).
 COL consumption: 7,4 mq.

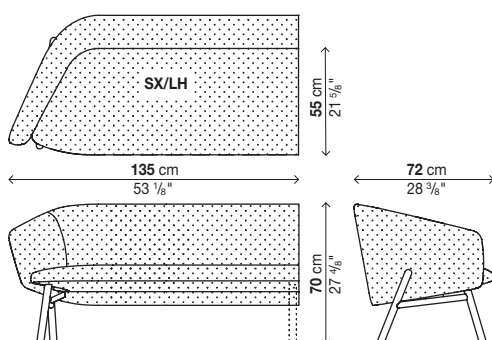
Reinforced packaging, see inside cover.

Code	Base	Cover											pack	m ³	Kg		
		A	B	C	D	E	F	G	H	L1	L2	L3					
29TUI12	Lacquered steel																

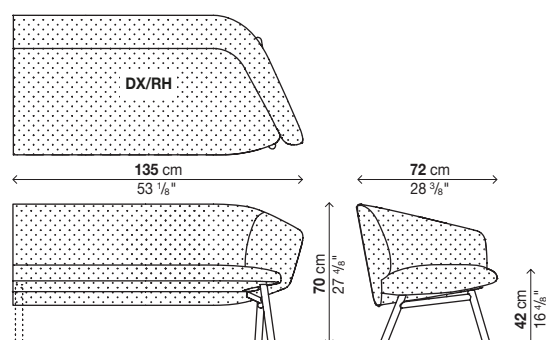
Optionals

Code	Description	pack	m ³	Kg
29TUI12	Fire-retardant	-	-	-
	Cushions, see page 121	-	-	-

20TUI12 SX/LH



20TUI12 DX/RH



TUILE SYSTEM

Intermediate module 3 seats

Base finish:

White lacquered steel (colour reference "White polyurethane P001")
 Black lacquered steel (colour reference "Black polyurethane P003")
 Terracotta lacquered steel (colour reference "Terracotta polyurethane P006")
 Olive green lacquered steel (colour reference "Olive green polyurethane P008")
 London grey lacquered steel (colour reference "London grey 0718 Fenix-NTM®")

Finish of cover:

A = Valencia (synthetic leather)
 B = Field 2, COM (Customer fabric)
 C = Merit, COL (Customer leather)
 D = Clara 2, Patio, Regal, Remix 2
 E = Curmi, Hero, Melange Nap
 F = Canvas 2, Scuba, Steelcut trio 3
 G = Divina Melange 3, Hallingdal 65
 H = Twill Weave
 L1 = Coast (corrected grain leather)
 L2 = Elmosoft (semi-aniline leather)
 L3 = Elmotique (aniline leather)

Note:

REMOVABLE COVERS:
 Removable upholstery (*): FIELD 2, COM, CLARA 2, MERIT, CURMI, PATIO, REMIX 2, CANVAS 2, HERO, MELANGE NAP, STEELCUT TRIO 3, DIVINA MELANGE 3, HALLINGDAL 65, REGAL, TWILL WEAVE.
 Fixed upholstery: VALENCIA, COL, SCUBA, COAST, ELMOSOFT, ELMOTIQUE.
 (*) The upholstery is TECHNICALLY REMOVABLE but in order to ensure correct adhesion, it must be replaced exclusively by personnel specialised in upholstery.

For info on fabric composition, see inside cover.

For COM/COL orders, see inside cover.

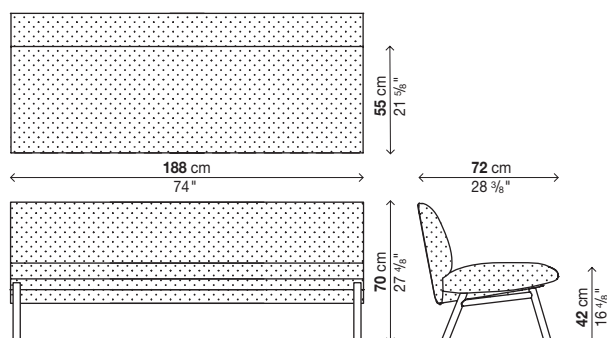
COM consumption: 4,2 ml (H. 140 cm).
 COL consumption: 8,4 mq.

Reinforced packaging, see inside cover.

Code	Base	Cover											pack	m ³	Kg		
		A	B	C	D	E	F	G	H	L1	L2	L3					
29TUI13	Lacquered steel																

Optionals

Code	Description	pack	m ³	Kg
29TUI13	Fire-retardant	-	-	-
	Cushions, see page 121	-	-	-



TUILE SYSTEM

Intermediate module 2 seats

Base finish:

White lacquered steel (colour reference "White polyurethane P001")
 Black lacquered steel (colour reference "Black polyurethane P003")
 Terracotta lacquered steel (colour reference "Terracotta polyurethane P006")
 Olive green lacquered steel (colour reference "Olive green polyurethane P008")
 London grey lacquered steel (colour reference "London grey 0718 Fenix-NTM®")

Finish of cover:

A = Valencia (synthetic leather)
 B = Field 2, COM (Customer fabric)
 C = Merit, COL (Customer leather)
 D = Clara 2, Patio, Regal, Remix 2
 E = Curmi, Hero, Melange Nap
 F = Canvas 2, Scuba, Steelcut trio 3
 G = Divina Melange 3, Hallingdal 65
 H = Twill Weave
 L1 = Coast (corrected grain leather)
 L2 = Elmosoft (semi-aniline leather)
 L3 = Elmotique (aniline leather)

Note:

REMOVABLE COVERS:
 Removable upholstery (*): FIELD 2, COM, CLARA 2, MERIT, CURMI, PATIO, REMIX 2, CANVAS 2, HERO, MELANGE NAP, STEELCUT TRIO 3, DIVINA MELANGE 3, HALLINGDAL 65, REGAL, TWILL WEAVE.
 Fixed upholstery: VALENCIA, COL, SCUBA, COAST, ELMOSOFT, ELMOTIQUE.
 (*) The upholstery is TECHNICALLY REMOVABLE but in order to ensure correct adhesion, it must be replaced exclusively by personnel specialised in upholstery.

For info on fabric composition, see inside cover.

For COM/COL orders, see inside cover.

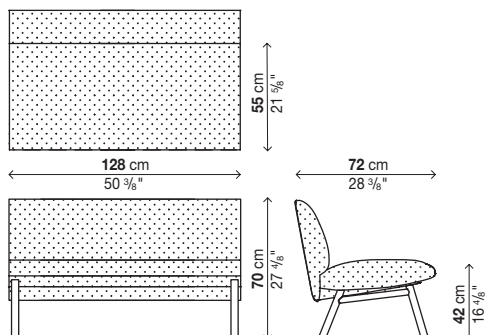
COM consumption: 3,1 ml (H. 140 cm).
 COL consumption: 6,2 mq.

Reinforced packaging, see inside cover.

Code	Base	Cover											pack	m ³	Kg		
		A	B	C	D	E	F	G	H	L1	L2	L3					
29TUI14	Lacquered steel																

Optionals

Code	Description	pack	m ³	Kg
29TUI14	Fire-retardant	-	-	-
	Cushions, see page 121	-	-	-



TUILE SYSTEM

Intermediate module 1 seat

Base finish:

White lacquered steel (colour reference "White polyurethane P001")
 Black lacquered steel (colour reference "Black polyurethane P003")
 Terracotta lacquered steel (colour reference "Terracotta polyurethane P006")
 Olive green lacquered steel (colour reference "Olive green polyurethane P008")
 London grey lacquered steel (colour reference "London grey 0718 Fenix-NTM®")

Finish of cover:

A = Valencia (synthetic leather)
 B = Field 2, COM (Customer fabric)
 C = Merit, COL (Customer leather)
 D = Clara 2, Patio, Regal, Remix 2
 E = Curmi, Hero, Melange Nap
 F = Canvas 2, Scuba, Steelcut trio 3
 G = Divina Melange 3, Hallingdal 65
 H = Twill Weave
 L1 = Coast (corrected grain leather)
 L2 = Elmosoft (semi-aniline leather)
 L3 = Elmotique (aniline leather)

Note:

REMOVABLE COVERS:
 Removable upholstery (*): FIELD 2, COM, CLARA 2, MERIT, CURMI, PATIO, REMIX 2, CANVAS 2, HERO, MELANGE NAP, STEELCUT TRIO 3, DIVINA MELANGE 3, HALLINGDAL 65, REGAL, TWILL WEAVE.
 Fixed upholstery: VALENCIA, COL, SCUBA, COAST, ELMOSOFT, ELMOTIQUE.
 (*) The upholstery is TECHNICALLY REMOVABLE but in order to ensure correct adhesion, it must be replaced exclusively by personnel specialised in upholstery.

For info on fabric composition, see inside cover.

For COM/COL orders, see inside cover.

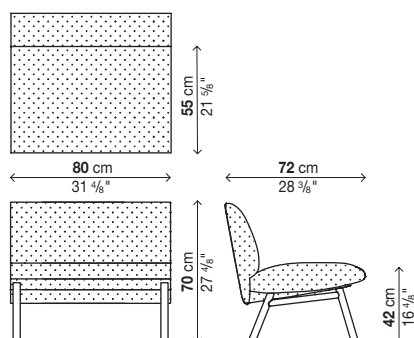
COM consumption: 2,1 ml (H. 140 cm).
 COL consumption: 4 mq.

Reinforced packaging, see inside cover.

Code	Base	Cover											pack	m ³	Kg		
		A	B	C	D	E	F	G	H	L1	L2	L3					
29TUI15	Lacquered steel																

Optionals

Code	Description	pack	m ³	Kg
29TUI15	Fire-retardant	-	-	-
	Cushions, see page 121	-	-	-



TUILE SYSTEM

Corner element 90°

Base finish:

White lacquered steel (colour reference "White polyurethane P001")
 Black lacquered steel (colour reference "Black polyurethane P003")
 Terracotta lacquered steel (colour reference "Terracotta polyurethane P006")
 Olive green lacquered steel (colour reference "Olive green polyurethane P008")
 London grey lacquered steel (colour reference "London grey 0718 Fenix-NTM®")

Finish of cover:

A = Valencia (synthetic leather)
 B = Field 2, COM (Customer fabric)
 C = Merit, COL (Customer leather)
 D = Clara 2, Patio, Regal, Remix 2
 E = Curmi, Hero, Melange Nap
 F = Canvas 2, Scuba, Steelcut trio 3
 G = Divina Melange 3, Hallingdal 65
 H = Twill Weave
 L1 = Coast (corrected grain leather)
 L2 = Elmosoft (semi-aniline leather)
 L3 = Elmotique (aniline leather)

Note:

REMOVABLE COVERS:
 Removable upholstery (*): FIELD 2, COM, CLARA 2, MERIT, CURMI, PATIO, REMIX 2, CANVAS 2, HERO, MELANGE NAP, STEELCUT TRIO 3, DIVINA MELANGE 3, HALLINGDAL 65, REGAL, TWILL WEAVE.
 Fixed upholstery: VALENCIA, COL, SCUBA, COAST, ELMOSOFT, ELMOTIQUE.
 (*) The upholstery is TECHNICALLY REMOVABLE but in order to ensure correct adhesion, it must be replaced exclusively by personnel specialised in upholstery.

For info on fabric composition, see inside cover.

For COM/COL orders, see inside cover.

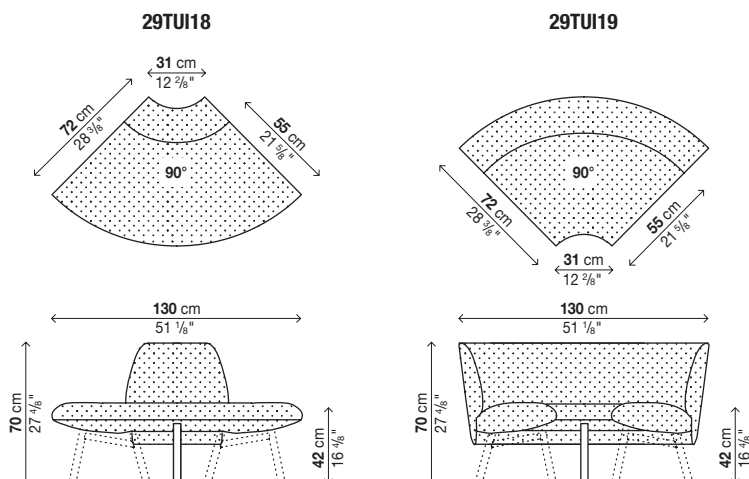
Consumption corner element 90° open:
 COM consumption: 3,1 ml (H. 140 cm).
 COL consumption: 5,9 mq.
 Consumption corner element 90° close:
 COM consumption: 4 ml (H. 140 cm).
 COL consumption: 7,7 mq.

Reinforced packaging, see inside cover.

Code	Description	Base	Cover											pack	m ³	Kg	
			A	B	C	D	E	F	G	H	L1	L2	L3				
29TUI18	90° corner open	Lacquered steel															
29TUI19	90° corner close	Lacquered steel															

Optionals

Code	Description	pack	m ³	Kg
29TUI18	Fire-retardant	-	-	-
29TUI19	Fire-retardant	-	-	-
	Cushions, see page 121	-	-	-



TUILE SYSTEM

Corner element 25°

Base finish:

- White lacquered steel (colour reference "White polyurethane P001")
- Black lacquered steel (colour reference "Black polyurethane P003")
- Terracotta lacquered steel (colour reference "Terracotta polyurethane P006")
- Olive green lacquered steel (colour reference "Olive green polyurethane P008")
- London grey lacquered steel (colour reference "London grey 0718 Fenix-NTM®")

Finish of cover:

- A = Valencia (synthetic leather)
- B = Field 2, COM (Customer fabric)
- C = Merit, COL (Customer leather)
- D = Clara 2, Patio, Regal, Remix 2
- E = Curmi, Hero, Melange Nap
- F = Canvas 2, Scuba, Steelcut trio 3
- G = Divina Melange 3, Hallingdal 65
- H = Twill Weave
- L1 = Coast (corrected grain leather)
- L2 = Elmosoft (semi-aniline leather)
- L3 = Elmotique (aniline leather)

Note:

REMOVABLE COVERS:
 Removable upholstery (*): FIELD 2, COM, CLARA 2, MERIT, CURMI, PATIO, REMIX 2, CANVAS 2, HERO, MELANGE NAP, STEELCUT TRIO 3, DIVINA MELANGE 3, HALLINGDAL 65, REGAL, TWILL WEAVE.
 Fixed upholstery: VALENCIA, COL, SCUBA, COAST, ELMOSOFT, ELMOTIQUE.
 (*) The upholstery is TECHNICALLY REMOVABLE but in order to ensure correct adhesion, it must be replaced exclusively by personnel specialised in upholstery.

For info on fabric composition, see inside cover.

For COM/COL orders, see inside cover.

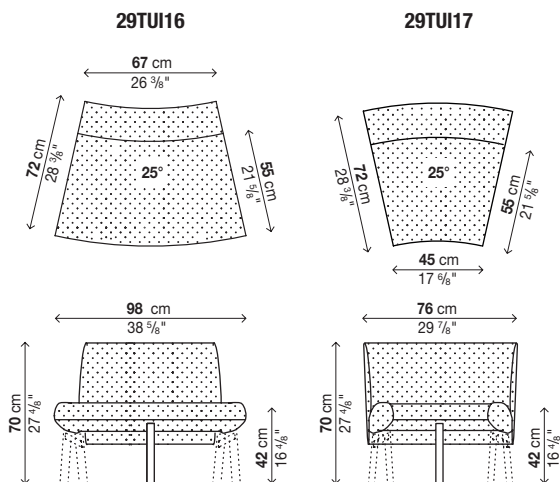
Consumption corner element 25° open:
 COM consumption: 2,7 ml (H. 140 cm).
 COL consumption: 5,2 mq.
 Consumption corner element 25° close:
 COM consumption: 2 ml (H. 140 cm).
 COL consumption: 3,9 mq.

Reinforced packaging, see inside cover.

Code	Description	Base	Cover											pack	m ²	Kg	
			A	B	C	D	E	F	G	H	L1	L2	L3				
29TUI16	25° corner open	Lacquered steel															
29TUI17	25° corner close	Lacquered steel															

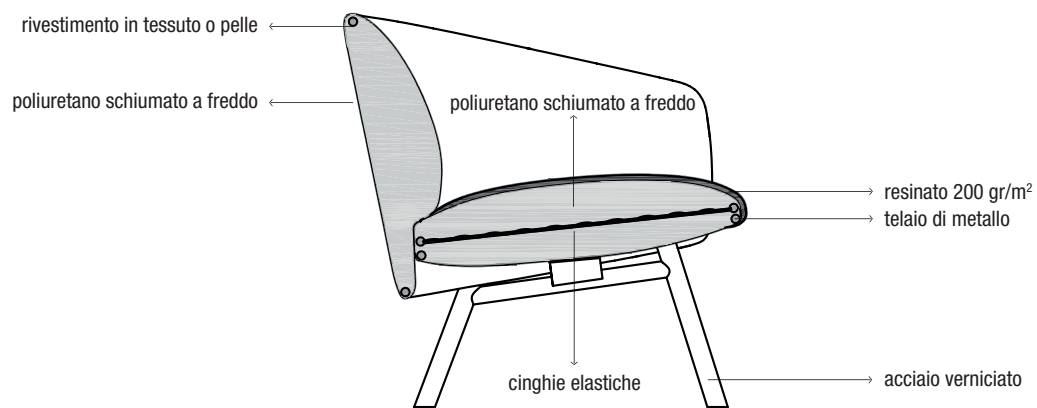
Optionals

Code	Description	pack	m ²	Kg
29TUI16	Fire-retardant	-	-	-
29TUI17	Fire-retardant	-	-	-
	Cushions, see page 121	-	-	-



TUILE

Info



Legenda:



TUILE

Divano 3 posti

Finitura base:

- Acciaio verniciato bianco (riferimento colore "Poliuretano bianco P001")
- Acciaio verniciato nero (riferimento colore "Poliuretano nero P003")
- Acciaio verniciato terracotta (riferimento colore "Poliuretano terracotta P006")
- Acciaio verniciato verde oliva (riferimento colore "Poliuretano verde oliva P008")
- Acciaio verniciato grigio Londra (riferimento colore "Grigio Londra 0718 Fenix-NTM®")

Finitura rivestimento:

- A = Valencia (pelle sintetica)
- B = Field 2, COM (tessuto Cliente)
- C = Merit, COL (pelle Cliente)
- D = Clara 2, Patio, Regal, Remix 2
- E = Curmi, Hero, Melange Nap
- F = Canvas 2, Scuba, Steelcut Trio 3
- G = Divina Melange 3, Hallingdal 65
- H = Twill Weave
- L1 = Coast (pelle fiore corretto)
- L2 = Elmosoft (pelle semi-anilina)
- L3 = Elmotique (pelle anilina)

Note:

SFODERABILITÀ:
 Rivestimenti sfoderabili (*): FIELD 2, COM, CLARA 2, MERIT, CURMI, PATIO, REMIX 2, CANVAS 2, HERO, MELANGE NAP, STEELCUT TRIO 3, DIVINA MELANGE 3, HALLINGDAL 65, REGAL, TWILL WEAVE.
 Rivestimenti fissi: VALENCIA, COL, SCUBA, COAST, ELMOSOFT, ELMOTIQUE.
 (*) Il rivestimento è TECNICAMENTE SFODERABILE, per garantire una corretta aderenza deve essere ricollocato esclusivamente da personale specializzato in tappezzeria.

Per informazioni su composizioni tessuti vedi interno di copertina.

Per ordini COM/COL vedi interno di copertina.

Consumo COM: 4,8 ml (H. 140 cm).

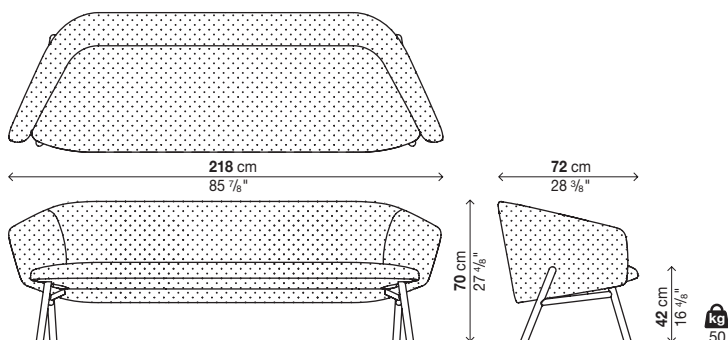
Consumo COL: 9,1 mq.

Imballi rinforzati vedi interno di copertina.

Codice	Base	Rivestimento											colli	m ³	Kg			
		A	B	C	D	E	F	G	H	L1	L2	L3						
29TUI03	Acciaio verniciato															1	1,75	85

Optionals

Codice	Descrizione	colli	m ³	Kg
29TUI03	Ignifugo	-	-	-
	Cuscini vedi pag. 121	-	-	-



TUILE

Divano 2 posti

Finitura base:

- Acciaio verniciato bianco (riferimento colore "Poliuretano bianco P001")
- Acciaio verniciato nero (riferimento colore "Poliuretano nero P003")
- Acciaio verniciato terracotta (riferimento colore "Poliuretano terracotta P006")
- Acciaio verniciato verde oliva (riferimento colore "Poliuretano verde oliva P008")
- Acciaio verniciato grigio Londra (riferimento colore "Grigio Londra 0718 Fenix-NTM®")

Finitura rivestimento:

- A = Valencia (pelle sintetica)
- B = Field 2, COM (tessuto Cliente)
- C = Merit, COL (pelle Cliente)
- D = Clara 2, Patio, Regal, Remix 2
- E = Curmi, Hero, Melange Nap
- F = Canvas 2, Scuba, Steelcut Trio 3
- G = Divina Melange 3, Hallingdal 65
- H = Twill Weave
- L1 = Coast (pelle fiore corretto)
- L2 = Elmosoft (pelle semi-anilina)
- L3 = Elmotique (pelle anilina)

Note:

SFODERABILITÀ:
 Rivestimenti sfoderabili (*): FIELD 2, COM, CLARA 2, MERIT, CURMI, PATIO, REMIX 2, CANVAS 2, HERO, MELANGE NAP, STEELCUT TRIO 3, DIVINA MELANGE 3, HALLINGDAL 65, REGAL, TWILL WEAVE.
 Rivestimenti fissi: VALENCIA, COL, SCUBA, COAST, ELMOSOFT, ELMOTIQUE.
 (*) Il rivestimento è TECNICAMENTE SFODERABILE, per garantire una corretta aderenza deve essere ricollocato esclusivamente da personale specializzato in tappezzeria.

Per informazioni su composizioni tessuti vedi interno di copertina.

Per ordini COM/COL vedi interno di copertina.

Consumo COM: 3,6 ml (H. 140 cm).

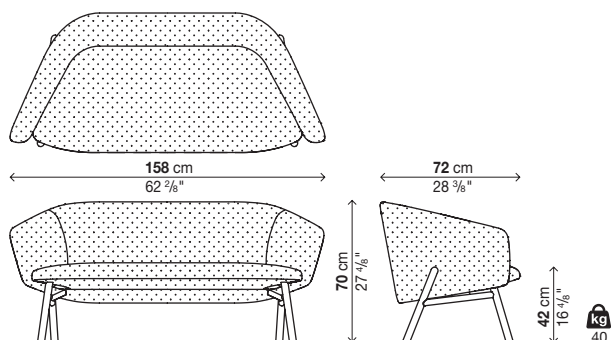
Consumo COL: 6,8 mq.

Imballi rinforzati vedi interno di copertina.

Codice	Base	Rivestimento											colli	m³	Kg			
		A	B	C	D	E	F	G	H	L1	L2	L3						
29TUI02	Acciaio verniciato															1	1,3	78

Optionals

Codice	Descrizione	colli	m³	Kg
29TUI02	Ignifugo	-	-	-
	Cuscini vedi pag. 121	-	-	-



TUILE

Poltroncina

Finitura base:

Acciaio verniciato bianco (riferimento colore "Poliuretano bianco P001")
 Acciaio verniciato nero (riferimento colore "Poliuretano nero P003")
 Acciaio verniciato terracotta (riferimento colore "Poliuretano terracotta P006")
 Acciaio verniciato verde oliva (riferimento colore "Poliuretano verde oliva P008")
 Acciaio verniciato grigio Londra (riferimento colore "Grigio Londra 0718 Fenix-NTM®")

Finitura rivestimento:

A = Valencia (pelle sintetica)
 B = Field 2, COM (tessuto Cliente)
 C = Merit, COL (pelle Cliente)
 D = Clara 2, Patio, Regal, Remix 2
 E = Curmi, Hero, Melange Nap
 F = Canvas 2, Scuba, Steelcut Trio 3
 G = Divina Melange 3, Hallingdal 65
 H = Twill Weave
 L1 = Coast (pelle fiore corretto)
 L2 = Elmosoft (pelle semi-anilina)
 L3 = Elmotique (pelle anilina)

Note:

SFODERABILITÀ:
 Rivestimenti sfoderabili (*): FIELD 2, COM, CLARA 2, MERIT, CURMI, PATIO, REMIX 2, CANVAS 2, HERO, MELANGE NAP, STEELCUT TRIO 3, DIVINA MELANGE 3, HALLINGDAL 65, REGAL, TWILL WEAVE.
 Rivestimenti fissi: VALENCIA, COL, SCUBA, COAST, ELMOSOFT, ELMOTIQUE.

(*) Il rivestimento è TECNICAMENTE SFODERABILE, per garantire una corretta aderenza deve essere ricollocato esclusivamente da personale specializzato in tappezzeria.

Per informazioni su composizioni tessuti vedi interno di copertina.

Per ordini COM/COL vedi interno di copertina.

Consumo COM: 2,2 ml (H. 140 cm).

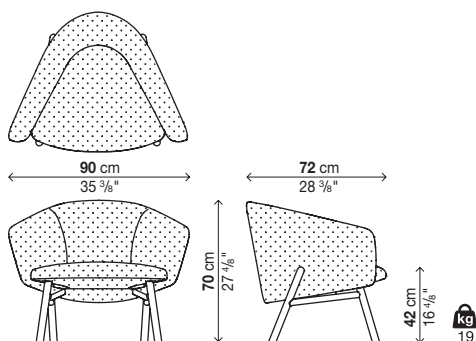
Consumo COL: 4,2 mq.

Imballi rinforzati vedi interno di copertina.

Codice	Base	Rivestimento											colli	m ³	Kg			
		A	B	C	D	E	F	G	H	L1	L2	L3						
29TUI01	Acciaio verniciato															1	0,75	40

Optionals

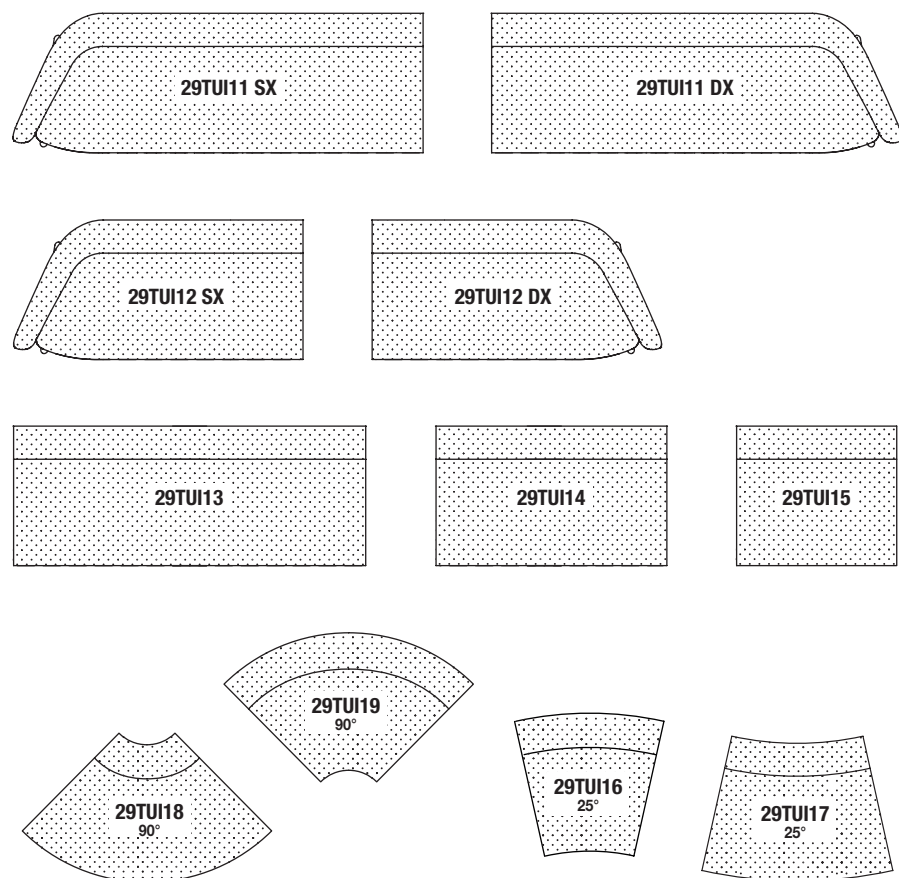
Codice	Descrizione	colli	m ³	Kg
29TUI01	Ignifugo	-	-	-
	Cuscini vedi pag. 121	-	-	-



TUILE SYSTEM

Info

Legenda:

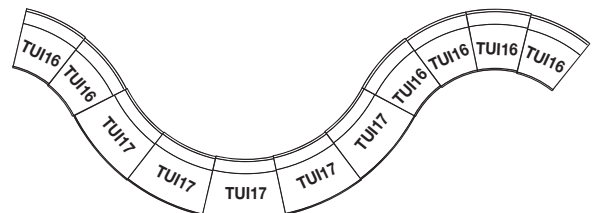
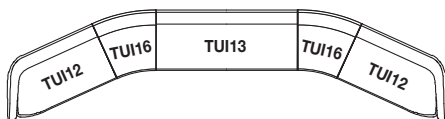
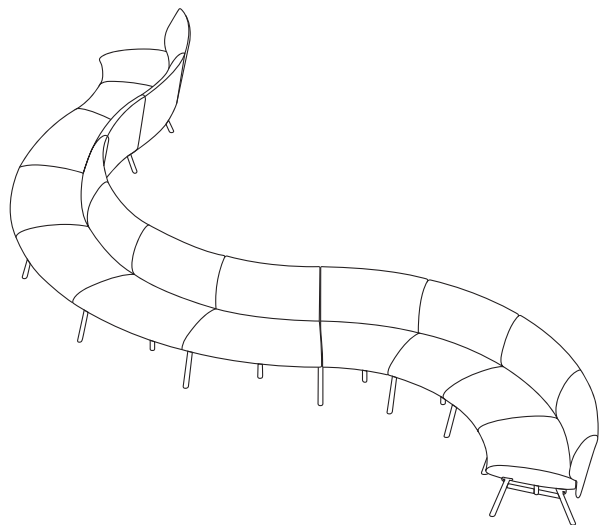
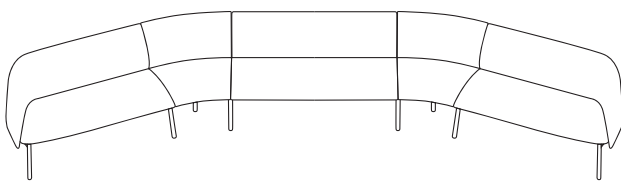
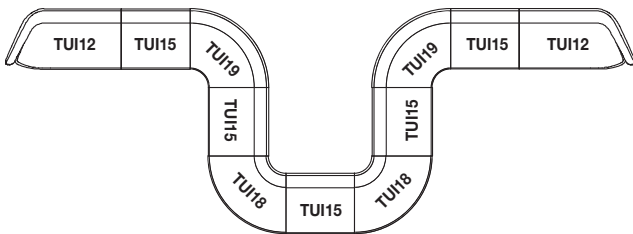
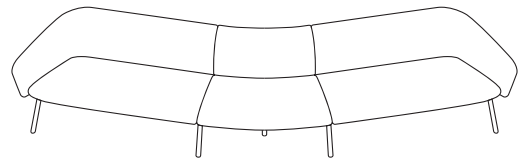
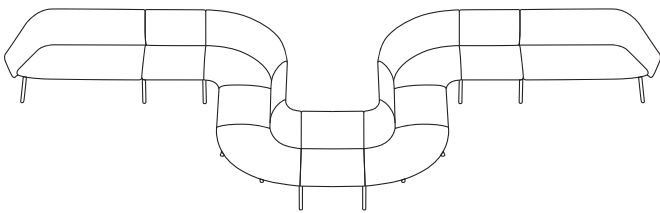
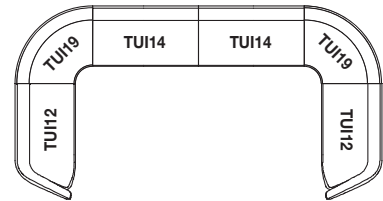
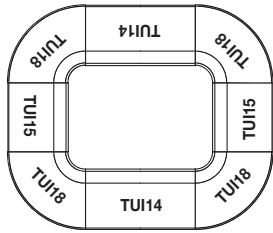
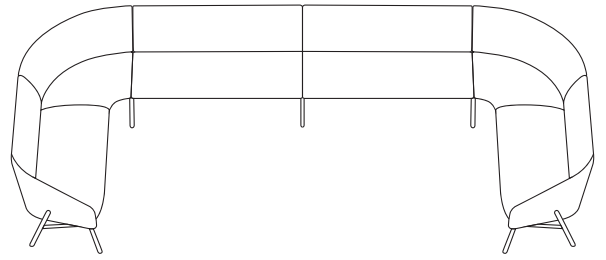
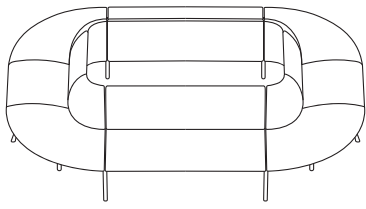


Attenzione:

Unire all'ordine il grafico della composizione con l'elenco dei singoli elementi.

TUILE SYSTEM

Esempi di composizione



TUILE SYSTEM

Modulo terminale 3 posti dx/sx

Finitura base:

Acciaio verniciato bianco (riferimento colore "Poliuretano bianco P001")
 Acciaio verniciato nero (riferimento colore "Poliuretano nero P003")
 Acciaio verniciato terracotta (riferimento colore "Poliuretano terracotta P006")
 Acciaio verniciato verde oliva (riferimento colore "Poliuretano verde oliva P008")
 Acciaio verniciato grigio Londra (riferimento colore "Grigio Londra 0718 Fenix-NTM®")

Finitura rivestimento:

A = Valencia (pelle sintetica)
 B = Field 2, COM (tessuto Cliente)
 C = Merit, COL (pelle Cliente)
 D = Clara 2, Patio, Regal, Remix 2
 E = Curmi, Hero, Melange Nap
 F = Canvas 2, Scuba, Steelcut Trio 3
 G = Divina Melange 3, Hallingdal 65
 H = Twill Weave
 L1 = Coast (pelle fiore corretto)
 L2 = Elmosoft (pelle semi-anilina)
 L3 = Elmotique (pelle anilina)

Note:

SFODERABILITÀ:
 Rivestimenti sfoderabili (*): FIELD 2, COM, CLARA 2, MERIT, CURMI, PATIO, REMIX 2, CANVAS 2, HERO, MELANGE NAP, STEELCUT TRIO 3, DIVINA MELANGE 3, HALLINGDAL 65, REGAL, TWILL WEAVE.
 Rivestimenti fissi: VALENCIA, COL, SCUBA, COAST, ELMOSOFT, ELMOTIQUE.
 (*) Il rivestimento è TECNICAMENTE SFODERABILE, per garantire una corretta aderenza deve essere ricollocato esclusivamente da personale specializzato in tappezzeria.

Per informazioni su composizioni tessuti vedi interno di copertina.

Per ordini COM/COL vedi interno di copertina.

Consumo COM: 4,9 ml (H. 140 cm).

Consumo COL: 9,8 mq.

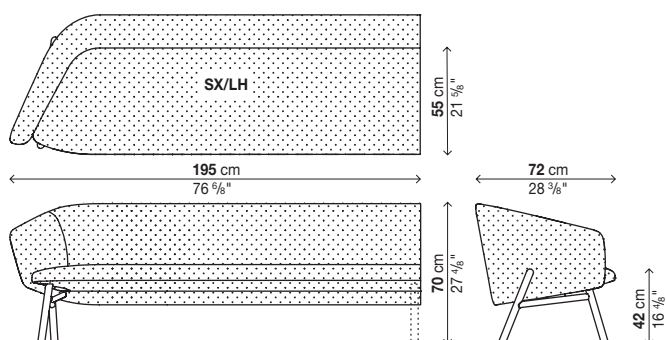
Imballi rinforzati vedi interno di copertina.

Codice	Base	Rivestimento											colli	m ³	Kg		
		A	B	C	D	E	F	G	H	L1	L2	L3					
29TUI11	Acciaio verniciato																

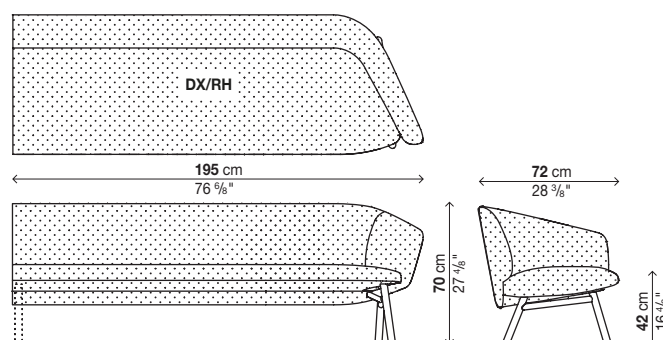
Optionals

Codice	Descrizione	colli	m ³	Kg
29TUI11	Ignifugo	-	-	-
	Cuscini vedi pag. 121	-	-	-

20TUI11 SX/LH



20TUI11 DX/RH



TUILE SYSTEM

Modulo terminale 2 posti dx/sx

Finitura base:

- Acciaio verniciato bianco (riferimento colore "Poliuretano bianco P001")
- Acciaio verniciato nero (riferimento colore "Poliuretano nero P003")
- Acciaio verniciato terracotta (riferimento colore "Poliuretano terracotta P006")
- Acciaio verniciato verde oliva (riferimento colore "Poliuretano verde oliva P008")
- Acciaio verniciato grigio Londra (riferimento colore "Grigio Londra 0718 Fenix-NTM®")

Finitura rivestimento:

- A = Valencia (pelle sintetica)
- B = Field 2, COM (tessuto Cliente)
- C = Merit, COL (pelle Cliente)
- D = Clara 2, Patio, Regal, Remix 2
- E = Curmi, Hero, Melange Nap
- F = Canvas 2, Scuba, Steelcut Trio 3
- G = Divina Melange 3, Hallingdal 65
- H = Twill Weave
- L1 = Coast (pelle fiore corretto)
- L2 = Elmosoft (pelle semi-anilina)
- L3 = Elmotique (pelle anilina)

Note:

SFODERABILITÀ:
 Rivestimenti sfoderabili (*): FIELD 2, COM, CLARA 2, MERIT, CURMI, PATIO, REMIX 2, CANVAS 2, HERO, MELANGE NAP, STEELCUT TRIO 3, DIVINA MELANGE 3, HALLINGDAL 65, REGAL, TWILL WEAVE.
 Rivestimenti fissi: VALENCIA, COL, SCUBA, COAST, ELMOSOFT, ELMOTIQUE.
 (*) Il rivestimento è TECNICAMENTE SFODERABILE, per garantire una corretta aderenza deve essere ricollocato esclusivamente da personale specializzato in tappezzeria.

Per informazioni su composizioni tessuti vedi interno di copertina.

Per ordini COM/COL vedi interno di copertina.

Consumo COM: 3,7 ml (H. 140 cm).

Consumo COL: 7,4 mq.

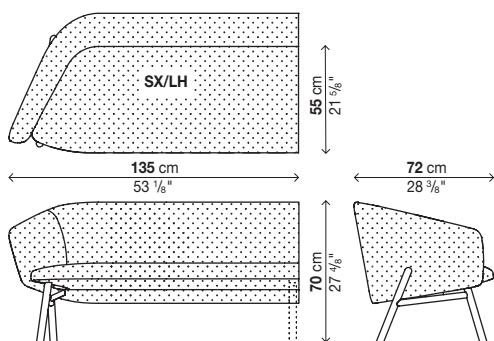
Imballi rinforzati vedi interno di copertina.

Codice	Base	Rivestimento											colli	m ³	Kg		
		A	B	C	D	E	F	G	H	L1	L2	L3					
29TUI12	Acciaio verniciato																

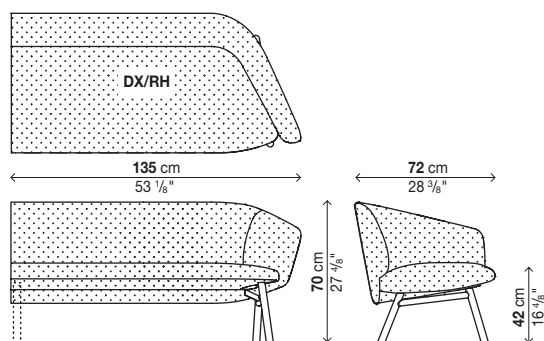
Optionals

Codice	Descrizione	colli	m ³	Kg
29TUI12	Ignifugo	-	-	-
	Cuscini vedi pag. 121	-	-	-

20TUI12 SX/LH



20TUI12 DX/RH



TUILE SYSTEM

Modulo intermedio 3 posti

Finitura base:

Acciaio verniciato bianco (riferimento colore "Poliuretano bianco P001")
 Acciaio verniciato nero (riferimento colore "Poliuretano nero P003")
 Acciaio verniciato terracotta (riferimento colore "Poliuretano terracotta P006")
 Acciaio verniciato verde oliva (riferimento colore "Poliuretano verde oliva P008")
 Acciaio verniciato grigio Londra (riferimento colore "Grigio Londra 0718 Fenix-NTM®")

Finitura rivestimento:

A = Valencia (pelle sintetica)
 B = Field 2, COM (tessuto Cliente)
 C = Merit, COL (pelle Cliente)
 D = Clara 2, Patio, Regal, Remix 2
 E = Curmi, Hero, Melange Nap
 F = Canvas 2, Scuba, Steelcut Trio 3
 G = Divina Melange 3, Hallingdal 65
 H = Twill Weave
 L1 = Coast (pelle fiore corretto)
 L2 = Elmosoft (pelle semi-anilina)
 L3 = Elmotique (pelle anilina)

Note:

SFODERABILITÀ:
 Rivestimenti sfoderabili (*): FIELD 2, COM, CLARA 2, MERIT, CURMI, PATIO, REMIX 2, CANVAS 2, HERO, MELANGE NAP, STEELCUT TRIO 3, DIVINA MELANGE 3, HALLINGDAL 65, REGAL, TWILL WEAVE.
 Rivestimenti fissi: VALENCIA, COL, SCUBA, COAST, ELMOSOFT, ELMOTIQUE.
 (*) Il rivestimento è TECNICAMENTE SFODERABILE, per garantire una corretta aderenza deve essere ricollocato esclusivamente da personale specializzato in tappezzeria.

Per informazioni su composizioni tessuti vedi interno di copertina.

Per ordini COM/COL vedi interno di copertina.

Consumo COM: 4,2 ml (H. 140 cm).

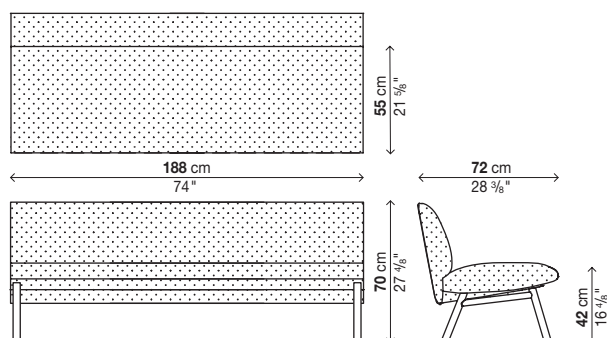
Consumo COL: 8,4 mq.

Imballi rinforzati vedi interno di copertina.

Codice	Base	Rivestimento											colli	m ³	Kg		
		A	B	C	D	E	F	G	H	L1	L2	L3					
29TUI13	Acciaio verniciato																

Optionals

Codice	Descrizione	colli	m ³	Kg
29TUI13	Ignifugo	-	-	-
	Cuscini vedi pag. 121	-	-	-



TUILE SYSTEM

Modulo intermedio 2 posti

Finitura base:

- Acciaio verniciato bianco (riferimento colore "Poliuretano bianco P001")
- Acciaio verniciato nero (riferimento colore "Poliuretano nero P003")
- Acciaio verniciato terracotta (riferimento colore "Poliuretano terracotta P006")
- Acciaio verniciato verde oliva (riferimento colore "Poliuretano verde oliva P008")
- Acciaio verniciato grigio Londra (riferimento colore "Grigio Londra 0718 Fenix-NTM®")

Finitura rivestimento:

- A = Valencia (pelle sintetica)
- B = Field 2, COM (tessuto Cliente)
- C = Merit, COL (pelle Cliente)
- D = Clara 2, Patio, Regal, Remix 2
- E = Curmi, Hero, Melange Nap
- F = Canvas 2, Scuba, Steelcut Trio 3
- G = Divina Melange 3, Hallingdal 65
- H = Twill Weave
- L1 = Coast (pelle fiore corretto)
- L2 = Elmosoft (pelle semi-anilina)
- L3 = Elmotique (pelle anilina)

Note:

SFODERABILITÀ:
 Rivestimenti sfoderabili (*): FIELD 2, COM, CLARA 2, MERIT, CURMI, PATIO, REMIX 2, CANVAS 2, HERO, MELANGE NAP, STEELCUT TRIO 3, DIVINA MELANGE 3, HALLINGDAL 65, REGAL, TWILL WEAVE.
 Rivestimenti fissi: VALENCIA, COL, SCUBA, COAST, ELMOSOFT, ELMOTIQUE.
 (*) Il rivestimento è TECNICAMENTE SFODERABILE, per garantire una corretta aderenza deve essere ricollocato esclusivamente da personale specializzato in tappezzeria.

Per informazioni su composizioni tessuti vedi interno di copertina.

Per ordini COM/COL vedi interno di copertina.

Consumo COM: 3,1 ml (H. 140 cm).

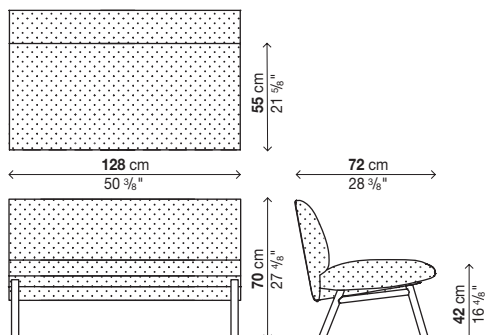
Consumo COL: 6,2 mq.

Imballi rinforzati vedi interno di copertina.

Codice	Base	Rivestimento											colli	m ³	Kg		
		A	B	C	D	E	F	G	H	L1	L2	L3					
29TUI14	Acciaio verniciato																

Optionals

Codice	Descrizione	colli	m ³	Kg
29TUI14	Ignifugo	-	-	-
	Cuscini vedi pag. 121	-	-	-



TUILE SYSTEM

Modulo intermedio 1 posto

Finitura base:

Acciaio verniciato bianco (riferimento colore "Poliuretano bianco P001")
 Acciaio verniciato nero (riferimento colore "Poliuretano nero P003")
 Acciaio verniciato terracotta (riferimento colore "Poliuretano terracotta P006")
 Acciaio verniciato verde oliva (riferimento colore "Poliuretano verde oliva P008")
 Acciaio verniciato grigio Londra (riferimento colore "Grigio Londra 0718 Fenix-NTM®")

Finitura rivestimento:

A = Valencia (pelle sintetica)
 B = Field 2, COM (tessuto Cliente)
 C = Merit, COL (pelle Cliente)
 D = Clara 2, Patio, Regal, Remix 2
 E = Curmi, Hero, Melange Nap
 F = Canvas 2, Scuba, Steelcut Trio 3
 G = Divina Melange 3, Hallingdal 65
 H = Twill Weave
 L1 = Coast (pelle fiore corretto)
 L2 = Elmosoft (pelle semi-anilina)
 L3 = Elmotique (pelle anilina)

Note:

SFODERABILITÀ:
 Rivestimenti sfoderabili (*): FIELD 2, COM, CLARA 2, MERIT, CURMI, PATIO, REMIX 2, CANVAS 2, HERO, MELANGE NAP, STEELCUT TRIO 3, DIVINA MELANGE 3, HALLINGDAL 65, REGAL, TWILL WEAVE.
 Rivestimenti fissi: VALENCIA, COL, SCUBA, COAST, ELMOSOFT, ELMOTIQUE.
 (*) Il rivestimento è TECNICAMENTE SFODERABILE, per garantire una corretta aderenza deve essere ricollocato esclusivamente da personale specializzato in tappezzeria.

Per informazioni su composizioni tessuti vedi interno di copertina.

Per ordini COM/COL vedi interno di copertina.

Consumo COM: 2,1 ml (H. 140 cm).

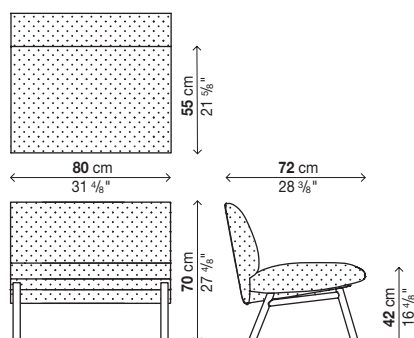
Consumo COL: 4 mq.

Imballi rinforzati vedi interno di copertina.

Codice	Base	Rivestimento											colli	m ³	Kg		
		A	B	C	D	E	F	G	H	L1	L2	L3					
29TUI15	Acciaio verniciato																

Optionals

Codice	Descrizione	colli	m ³	Kg
29TUI15	Ignifugo	-	-	-
	Cuscini vedi pag. 121	-	-	-



TUILE SYSTEM

Modulo angolo 90°

Finitura base:

- Acciaio verniciato bianco (riferimento colore "Poliuretano bianco P001")
- Acciaio verniciato nero (riferimento colore "Poliuretano nero P003")
- Acciaio verniciato terracotta (riferimento colore "Poliuretano terracotta P006")
- Acciaio verniciato verde oliva (riferimento colore "Poliuretano verde oliva P008")
- Acciaio verniciato grigio Londra (riferimento colore "Grigio Londra 0718 Fenix-NTM®")

Finitura rivestimento:

- A = Valencia (pelle sintetica)
- B = Field 2, COM (tessuto Cliente)
- C = Merit, COL (pelle Cliente)
- D = Clara 2, Patio, Regal, Remix 2
- E = Curmi, Hero, Melange Nap
- F = Canvas 2, Scuba, Steelcut Trio 3
- G = Divina Melange 3, Hallingdal 65
- H = Twill Weave
- L1 = Coast (pelle fiore corretto)
- L2 = Elmosoft (pelle semi-anilina)
- L3 = Elmotique (pelle anilina)

Note:

SFODERABILITÀ:
 Rivestimenti sfoderabili (*): FIELD 2, COM, CLARA 2, MERIT, CURMI, PATIO, REMIX 2, CANVAS 2, HERO, MELANGE NAP, STEELCUT TRIO 3, DIVINA MELANGE 3, HALLINGDAL 65, REGAL, TWILL WEAVE.
 Rivestimenti fissi: VALENCIA, COL, SCUBA, COAST, ELMOSOFT, ELMOTIQUE.
 (*) Il rivestimento è TECNICAMENTE SFODERABILE, per garantire una corretta aderenza deve essere ricollocato esclusivamente da personale specializzato in tappezzeria.

Per informazioni su composizioni tessuti vedi interno di copertina.

Per ordini COM/COL vedi interno di copertina.

Consumo modulo angolo 90° aperto:

COM: 3,1 ml (H. 140 cm).

COL: 5,9 mq.

Consumo modulo angolo 90° chiuso:

COM: 4 ml (H. 140 cm).

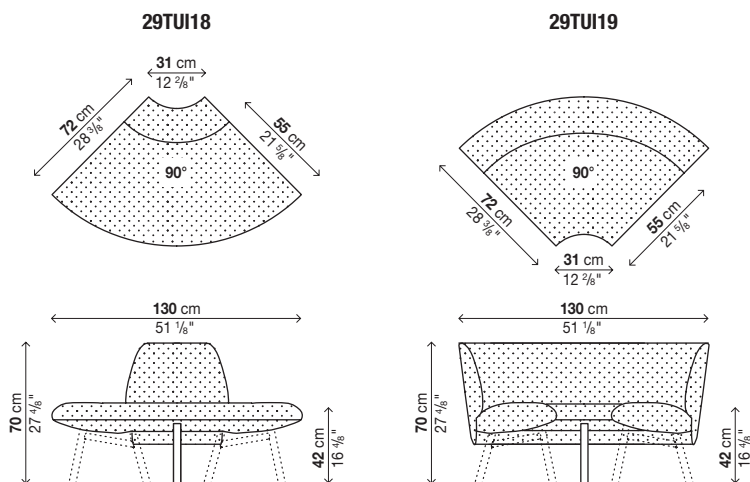
COL: 7,7 mq.

Imballi rinforzati vedi interno di copertina.

Codice	Descrizione	Base	Rivestimento											colli	m ³	Kg	
			A	B	C	D	E	F	G	H	L1	L2	L3				
29TUI18	Angolo 90° aperto	Acciaio verniciato															
29TUI19	Angolo 90° chiuso	Acciaio verniciato															

Optionals

Codice	Descrizione	colli	m ³	Kg
29TUI18	Ignifugo	-	-	-
29TUI19	Ignifugo	-	-	-
	Cuscini vedi pag. 121	-	-	-



TUILE SYSTEM

Modulo angolo 25°

Finitura base:

Acciaio verniciato bianco (riferimento colore "Poliuretano bianco P001")
 Acciaio verniciato nero (riferimento colore "Poliuretano nero P003")
 Acciaio verniciato terracotta (riferimento colore "Poliuretano terracotta P006")
 Acciaio verniciato verde oliva (riferimento colore "Poliuretano verde oliva P008")
 Acciaio verniciato grigio Londra (riferimento colore "Grigio Londra 0718 Fenix-NTM®")

Finitura rivestimento:

A = Valencia (pelle sintetica)
 B = Field 2, COM (tessuto Cliente)
 C = Merit, COL (pelle Cliente)
 D = Clara 2, Patio, Regal, Remix 2
 E = Curmi, Hero, Melange Nap
 F = Canvas 2, Scuba, Steelcut Trio 3
 G = Divina Melange 3, Hallingdal 65
 H = Twill Weave
 L1 = Coast (pelle fiore corretto)
 L2 = Elmosoft (pelle semi-anilina)
 L3 = Elmotique (pelle anilina)

Note:

SFODERABILITÀ:
 Rivestimenti sfoderabili (*): FIELD 2, COM, CLARA 2, MERIT, CURMI, PATIO, REMIX 2, CANVAS 2, HERO, MELANGE NAP, STEELCUT TRIO 3, DIVINA MELANGE 3, HALLINGDAL 65, REGAL, TWILL WEAVE.
 Rivestimenti fissi: VALENCIA, COL, SCUBA, COAST, ELMOSOFT, ELMOTIQUE.
 (*) Il rivestimento è TECNICAMENTE SFODERABILE, per garantire una corretta aderenza deve essere ricollocato esclusivamente da personale specializzato in tappezzeria.

Per informazioni su composizioni tessuti vedi interno di copertina.

Per ordini COM/COL vedi interno di copertina.

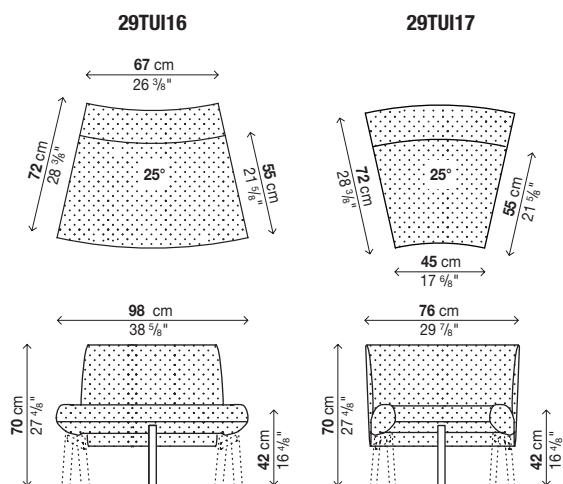
Consumo modulo angolo 25° aperto:
 COM: 2,7 mq (H. 140 cm).
 COL: 5,2 mq.
 Consumo modulo angolo 25° chiuso:
 COM: 2 mq (H. 140 cm).
 COL: 3,9 mq.

Imballi rinforzati vedi interno di copertina.

Codice	Descrizione	Base	Rivestimento											colli	m ²	Kg	
			A	B	C	D	E	F	G	H	L1	L2	L3				
29TUI16	Angolo 25° aperto	Acciaio verniciato															
29TUI17	Angolo 25° chiuso	Acciaio verniciato															

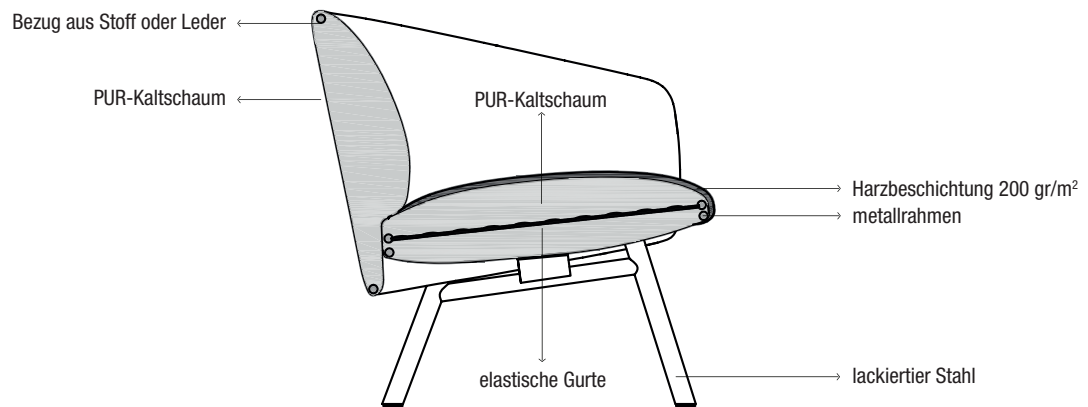
Optionals

Codice	Descrizione	colli	m ²	Kg
29TUI16	Ignifugo	-	-	-
29TUI17	Ignifugo	-	-	-
	Cuscini vedi pag. 121	-	-	-



TUILE

Info



Legende:



TUILE

Dreisitzer-Sofa

Ausführung Gestell:

Weiß lackierter Stahl (farbähnlich wie "Polyurethan Weiß P001")
 Schwarz lackierter Stahl (farbähnlich wie "Polyurethan Schwarz P003")
 Terracottabraun lackierter Stahl (farbähnlich wie "Polyurethan Terracotta P006")
 Olivgrün lackierter Stahl (farbähnlich wie "Polyurethan Olivgrün P008")
 Grau London lackierter Stahl (farbähnlich wie "Grau London 0718 Fenix-NTM®")

Ausführung des Bezugs:

A = Valencia (Synthetische Leder)
 B = Field 2, COM (Kundenstoff)
 C = Merit, COL (Kundenleder)
 D = Clara 2, Patio, Regal, Remix 2
 E = Curmi, Hero, Melange Nap
 F = Canvas 2, Scuba, Steelcut Trio 3
 G = Divina Melange 3, Hallingdal 65
 H = Twill Weave
 L1 = Coast (Nubukleder)
 L2 = Elmosoft (Semianilinleder)
 L3 = Elmotique (Anilinleder)

Anmerkung:

ABZIEHBAR:
 Abziehbare Bezüge (*): FIELD 2, COM, CLARA 2, MERIT, CURMI, PATIO, REMIX 2, CANVAS 2, HERO, MELANGE NAP, STEELCUT TRIO 3, DIVINA MELANGE 3, HALLINGDAL 65, REGAL, TWILL WEAVE.
 Fixe Bezüge: VALENCIA, COL, SCUBA, COAST, ELMOSOFT, ELMOTIQUE.
 (*) Der Bezug ist TECHNISCH GESEHEN ABZIEHBAR, um seinen perfekten Sitz zu garantieren, sollte er jedoch ausschließlich von Fachkräften des Polsterhandwerks aufgezogen werden.

Für Informationen zur Zusammensetzung der Stoffe siehe Innenseite des Umschlags.

Für Aufträge mit COM/COL siehe Innenseite des Umschlags.

Verbrauch COM: 4,8 ml (H. 140 cm).

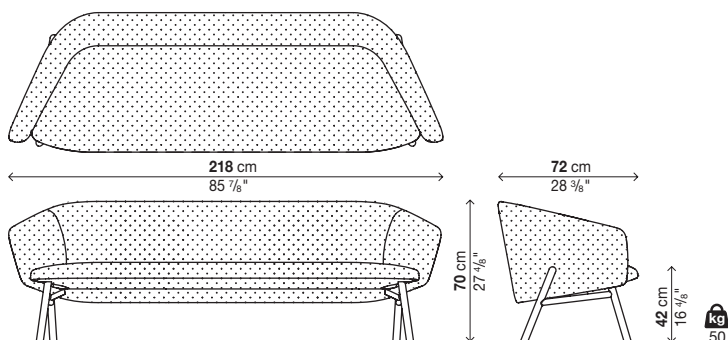
Verbrauch COL: 9,1 mq.

Für verstärkte Verpackungen siehe Innenseite des Umschlags.

Art.-Nr.	Gestell	Bezug											kolli	m ³	Kg			
		A	B	C	D	E	F	G	H	L1	L2	L3						
29TUI03	Lackierter Stahl															1	1,75	85

Optionen

Art.-Nr.	Beschreibung	kolli	m ³	Kg
29TUI03	Feuerfest	-	-	-
	Kissen, siehe Seite 121	-	-	-



TUILE

Zweisitzer-Sofa

Ausführung Gestell:

Weiß lackierter Stahl (farbähnlich wie "Polyurethan Weiß P001")
 Schwarz lackierter Stahl (farbähnlich wie "Polyurethan Schwarz P003")
 Terracottabraun lackierter Stahl (farbähnlich wie "Polyurethan Terracotta P006")
 Olivgrün lackierter Stahl (farbähnlich wie "Polyurethan Olivgrün P008")
 Grau London lackierter Stahl (farbähnlich wie "Grau London 0718 Fenix-NTM®")

Ausführung des Bezugs:

A = Valencia (Synthetische Leder)
 B = Field 2, COM (Kundenstoff)
 C = Merit, COL (Kundenleder)
 D = Clara 2, Patio, Regal, Remix 2
 E = Curmi, Hero, Melange Nap
 F = Canvas 2, Scuba, Steelcut Trio 3
 G = Divina Melange 3, Hallingdal 65
 H = Twill Weave
 L1 = Coast (Nubukleder)
 L2 = Elmosoft (Semianilinleder)
 L3 = Elmotique (Anilinleder)

Anmerkung:

ABZIEHBAR:
 Abziehbare Bezüge (*): FIELD 2, COM, CLARA 2, MERIT, CURMI, PATIO, REMIX 2, CANVAS 2, HERO, MELANGE NAP, STEELCUT TRIO 3, DIVINA MELANGE 3, HALLINGDAL 65, REGAL, TWILL WEAVE.
 Fixe Bezüge: VALENCIA, COL, SCUBA, COAST, ELMOSOFT, ELMOTIQUE.
 (*) Der Bezug ist TECHNISCH GESEHEN ABZIEHBAR, um seinen perfekten Sitz zu garantieren, sollte er jedoch ausschließlich von Fachkräften des Polsterhandwerks aufgezogen werden.

Für Informationen zur Zusammensetzung der Stoffe siehe Innenseite des Umschlags.

Für Aufträge mit COM/COL siehe Innenseite des Umschlags.

Verbrauch COM: 3,6 ml (H. 140 cm).

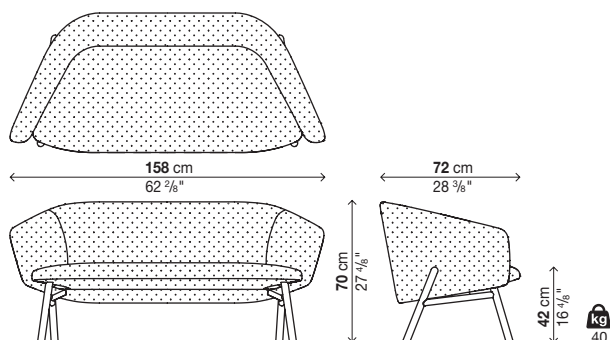
Verbrauch COL: 6,8 mq.

Für verstärkte Verpackungen siehe Innenseite des Umschlags.

Art.-Nr.	Gestell	Bezug											kolli	m³	Kg		
		A	B	C	D	E	F	G	H	L1	L2	L3					
29TUI02	Lackierter Stahl														1	1,3	78

Optionen

Art.-Nr.	Beschreibung	kolli	m³	Kg
29TUI02	Feuerfest	-	-	-
	Kissen, siehe Seite 121	-	-	-



TUILE

Sessel

Ausführung Gestell:

Weiß lackierter Stahl (farbähnlich wie "Polyurethan Weiß P001")
 Schwarz lackierter Stahl (farbähnlich wie "Polyurethan Schwarz P003")
 Terracottabraun lackierter Stahl (farbähnlich wie "Polyurethan Terracotta P006")
 Olivgrün lackierter Stahl (farbähnlich wie "Polyurethan Olivgrün P008")
 Grau London lackierter Stahl (farbähnlich wie "Grau London 0718 Fenix-NTM®")

Ausführung des Bezugs:

A = Valencia (Synthetische Leder)
 B = Field 2, COM (Kundenstoff)
 C = Merit, COL (Kundenleder)
 D = Clara 2, Patio, Regal, Remix 2
 E = Curmi, Hero, Melange Nap
 F = Canvas 2, Scuba, Steelcut Trio 3
 G = Divina Melange 3, Hallingdal 65
 H = Twill Weave
 L1 = Coast (Nubukleder)
 L2 = Elmosoft (Semianilinleder)
 L3 = Elmotique (Anilinleder)

Anmerkung:

ABZIEHBAR:
 Abziehbare Bezüge (*): FIELD 2, COM, CLARA 2, MERIT, CURMI, PATIO, REMIX 2, CANVAS 2, HERO, MELANGE NAP, STEELCUT TRIO 3, DIVINA MELANGE 3, HALLINGDAL 65, REGAL, TWILL WEAVE.
 Fixe Bezüge: VALENCIA, COL, SCUBA, COAST, ELMOSOFT, ELMOTIQUE.
 (*) Der Bezug ist TECHNISCH GESEHEN ABZIEHBAR, um seinen perfekten Sitz zu garantieren, sollte er jedoch ausschließlich von Fachkräften des Polsterhandwerks aufgezogen werden.

Für Informationen zur Zusammensetzung der Stoffe siehe Innenseite des Umschlags.

Für Aufträge mit COM/COL siehe Innenseite des Umschlags.

Verbrauch COM: 2,2 ml (H. 140 cm).

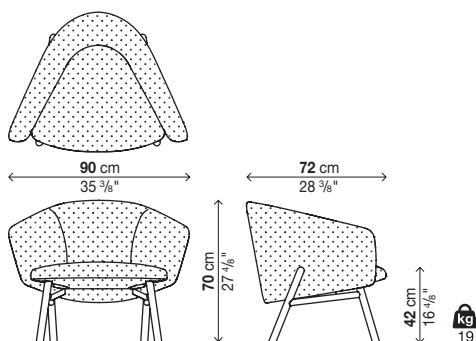
Verbrauch COL: 4,2 mq.

Für verstärkte Verpackungen siehe Innenseite des Umschlags.

Art.-Nr.	Gestell	Bezug											kolli	m ³	Kg			
		A	B	C	D	E	F	G	H	L1	L2	L3						
29TUI01	Lackierter Stahl															1	0,75	40

Optionen

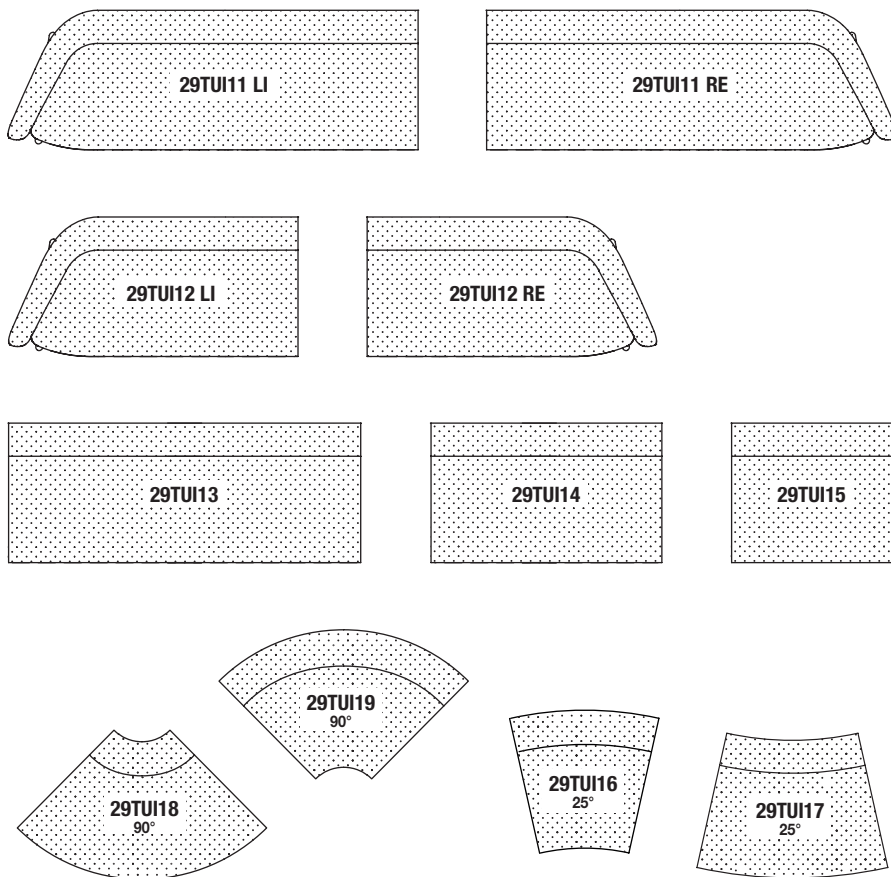
Art.-Nr.	Beschreibung	kolli	m ³	Kg
29TUI01	Feuerfest	-	-	-
	Kissen, siehe Seite 121	-	-	-



TUILE SYSTEM

Info

Legende:

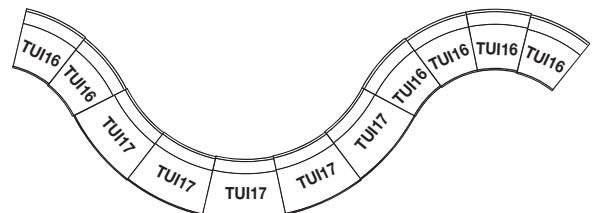
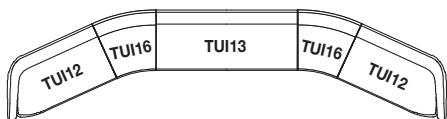
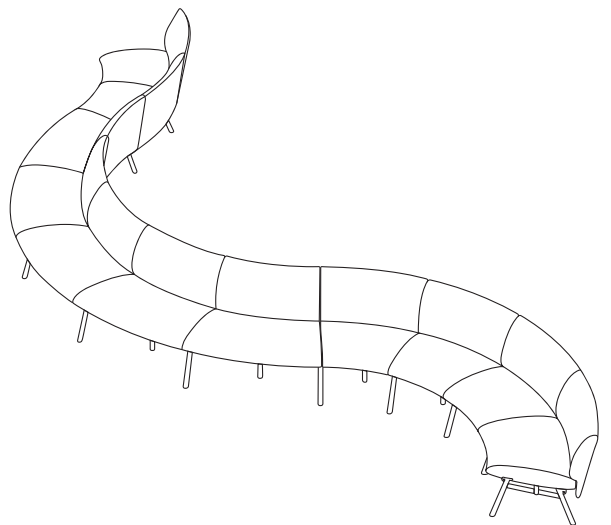
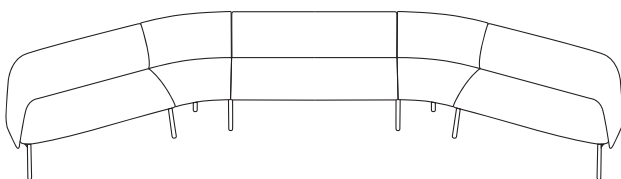
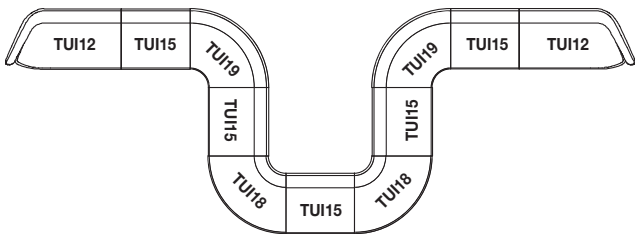
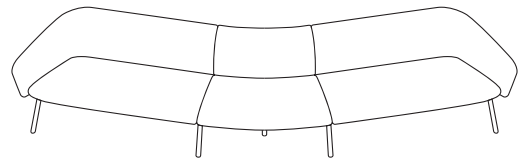
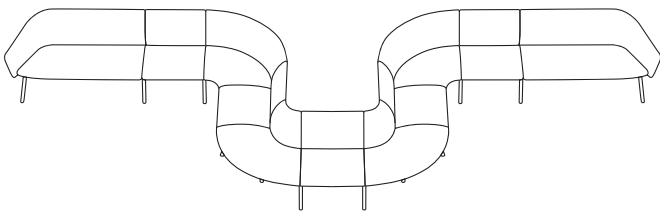
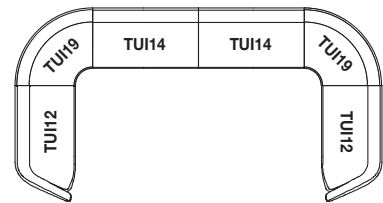
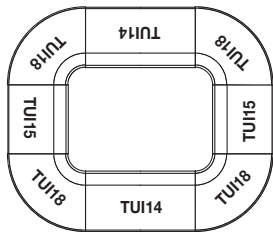
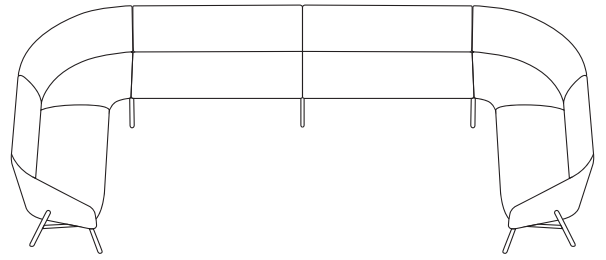
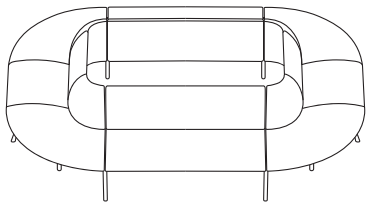


Achtung:

Dem Auftrag ist eine Grafik der Zusammenstellung und eine Liste der einzelnen Elemente beizulegen.

TUILE SYSTEM

Beispiele



TUILE SYSTEM

Dreisitzer Terminalmodul rt/lk

Ausführung Gestell:

Weiß lackierter Stahl (farbähnlich wie "Polyurethan Weiß P001")
 Schwarz lackierter Stahl (farbähnlich wie "Polyurethan Schwarz P003")
 Terracottabraun lackierter Stahl (farbähnlich wie "Polyurethan Terracotta P006")
 Olivgrün lackierter Stahl (farbähnlich wie "Polyurethan Olivgrün P008")
 Grau London lackierter Stahl (farbähnlich wie "Grau London 0718 Fenix-NTM®")

Ausführung des Bezugs:

A = Valencia (Synthetische Leder)
 B = Field 2, COM (Kundenstoff)
 C = Merit, COL (Kundenleder)
 D = Clara 2, Patio, Regal, Remix 2
 E = Curmi, Hero, Melange Nap
 F = Canvas 2, Scuba, Steelcut Trio 3
 G = Divina Melange 3, Hallingdal 65
 H = Twill Weave
 L1 = Coast (Nubukleder)
 L2 = Elmosoft (Semianilinleder)
 L3 = Elmotique (Anilinleder)

Anmerkung:

ABZIEHBAR:
 Abziehbare Bezüge (*): FIELD 2, COM, CLARA 2, MERIT, CURMI, PATIO, REMIX 2, CANVAS 2, HERO, MELANGE NAP, STEELCUT TRIO 3, DIVINA MELANGE 3, HALLINGDAL 65, REGAL, TWILL WEAVE.
 Fixe Bezüge: VALENCIA, COL, SCUBA, COAST, ELMOSOFT, ELMOTIQUE.
 (*) Der Bezug ist TECHNISCH GESEHEN ABZIEHBAR, um seinen perfekten Sitz zu garantieren, sollte er jedoch ausschließlich von Fachkräften des Polsterhandwerks aufgezogen werden.

Für Informationen zur Zusammensetzung der Stoffe siehe Innenseite des Umschlags.

Für Aufträge mit COM/COL siehe Innenseite des Umschlags.

Verbrauch COM: 4,9 ml (H. 140 cm).

Verbrauch COL: 9,8 mq.

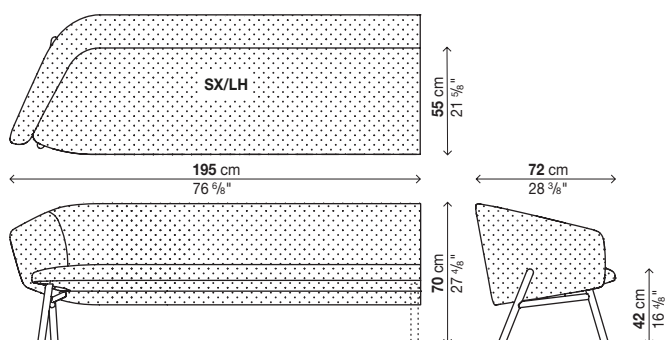
Für verstärkte Verpackungen siehe Innenseite des Umschlags.

Art.-Nr.	Gestell	Bezug											kolli	m ³	Kg		
		A	B	C	D	E	F	G	H	L1	L2	L3					
29TUI11	Lackierter Stahl																

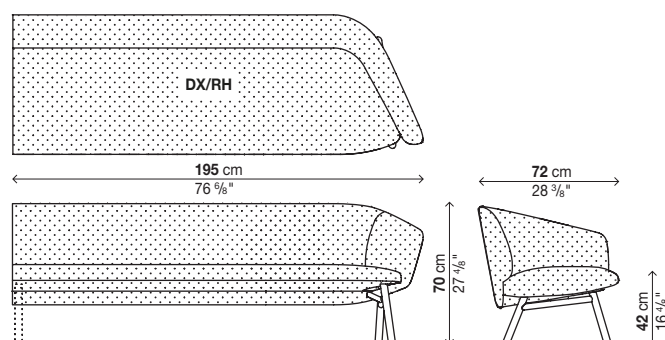
Optionen

Art.-Nr.	Beschreibung	kolli	m ³	Kg
29TUI11	Feuerfest	-	-	-
	Kissen, siehe Seite 121	-	-	-

20TUI11 SX/LH



20TUI11 DX/RH



TUILE SYSTEM

Zweisitzer Terminalmodul rt/lk

Ausführung Gestell:

Weiß lackierter Stahl (farbähnlich wie "Polyurethan Weiß P001")
 Schwarz lackierter Stahl (farbähnlich wie "Polyurethan Schwarz P003")
 Terracottabraun lackierter Stahl (farbähnlich wie "Polyurethan Terracotta P006")
 Olivgrün lackierter Stahl (farbähnlich wie "Polyurethan Olivgrün P008")
 Grau London lackierter Stahl (farbähnlich wie "Grau London 0718 Fenix-NTM®")

Ausführung des Bezugs:

A = Valencia (Synthetische Leder)
 B = Field 2, COM (Kundenstoff)
 C = Merit, COL (Kundenleder)
 D = Clara 2, Patio, Regal, Remix 2
 E = Curmi, Hero, Melange Nap
 F = Canvas 2, Scuba, Steelcut Trio 3
 G = Divina Melange 3, Hallingdal 65
 H = Twill Weave
 L1 = Coast (Nubukleder)
 L2 = Elmosoft (Semianilinleder)
 L3 = Elmotique (Anilinleder)

Anmerkung:

ABZIEHBAR:
 Abziehbare Bezüge (*): FIELD 2, COM, CLARA 2, MERIT, CURMI, PATIO, REMIX 2, CANVAS 2, HERO, MELANGE NAP, STEELCUT TRIO 3, DIVINA MELANGE 3, HALLINGDAL 65, REGAL, TWILL WEAVE.
 Fixe Bezüge: VALENCIA, COL, SCUBA, COAST, ELMOSOFT, ELMOTIQUE.
 (*) Der Bezug ist TECHNISCH GESEHEN ABZIEHBAR, um seinen perfekten Sitz zu garantieren, sollte er jedoch ausschließlich von Fachkräften des Polsterhandwerks aufgezogen werden.

Für Informationen zur Zusammensetzung der Stoffe siehe Innenseite des Umschlags.

Für Aufträge mit COM/COL siehe Innenseite des Umschlags.

Verbrauch COM: 3,7 ml (H. 140 cm).

Verbrauch COL: 7,4 mq.

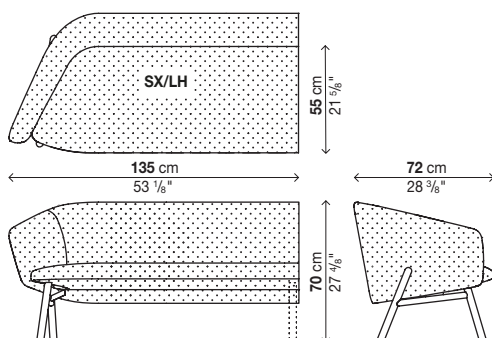
Für verstärkte Verpackungen siehe Innenseite des Umschlags.

Art.-Nr.	Gestell	Bezug											kolli	m ³	Kg		
		A	B	C	D	E	F	G	H	L1	L2	L3					
29TUI12	Lackierter Stahl																

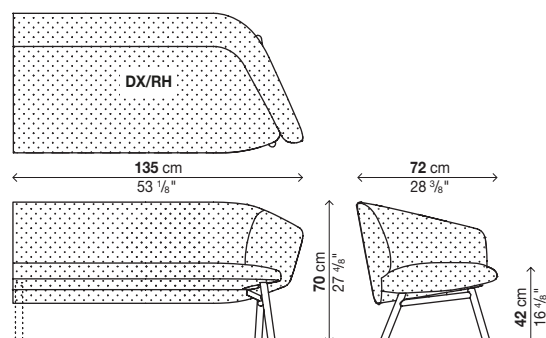
Optionen

Art.-Nr.	Beschreibung	kolli	m ³	Kg
29TUI12	Feuerfest	-	-	-
	Kissen, siehe Seite 121	-	-	-

20TUI12 SX/LH



20TUI12 DX/RH



TUILE SYSTEM

Dreisitzer Zwischenmodul

Ausführung Gestell:

Weiß lackierter Stahl (farbähnlich wie "Polyurethan Weiß P001")
 Schwarz lackierter Stahl (farbähnlich wie "Polyurethan Schwarz P003")
 Terracottabraun lackierter Stahl (farbähnlich wie "Polyurethan Terracotta P006")
 Olivgrün lackierter Stahl (farbähnlich wie "Polyurethan Olivgrün P008")
 Grau London lackierter Stahl (farbähnlich wie "Grau London 0718 Fenix-NTM®")

Ausführung des Bezugs:

A = Valencia (Synthetische Leder)
 B = Field 2, COM (Kundenstoff)
 C = Merit, COL (Kundenleder)
 D = Clara 2, Patio, Regal, Remix 2
 E = Curmi, Hero, Melange Nap
 F = Canvas 2, Scuba, Steelcut Trio 3
 G = Divina Melange 3, Hallingdal 65
 H = Twill Weave
 L1 = Coast (Nubukleder)
 L2 = Elmosoft (Semianilinleder)
 L3 = Elmotique (Anilinleder)

Anmerkung:

ABZIEHBAR:
 Abziehbare Bezüge (*): FIELD 2, COM, CLARA 2, MERIT, CURMI, PATIO, REMIX 2, CANVAS 2, HERO, MELANGE NAP, STEELCUT TRIO 3, DIVINA MELANGE 3, HALLINGDAL 65, REGAL, TWILL WEAVE.
 Fixe Bezüge: VALENCIA, COL, SCUBA, COAST, ELMOSOFT, ELMOTIQUE.
 (*) Der Bezug ist TECHNISCH GESEHEN ABZIEHBAR, um seinen perfekten Sitz zu garantieren, sollte er jedoch ausschließlich von Fachkräften des Polsterhandwerks aufgezogen werden.

Für Informationen zur Zusammensetzung der Stoffe siehe Innenseite des Umschlags.

Für Aufträge mit COM/COL siehe Innenseite des Umschlags.

Verbrauch COM: 4,2 ml (H. 140 cm).

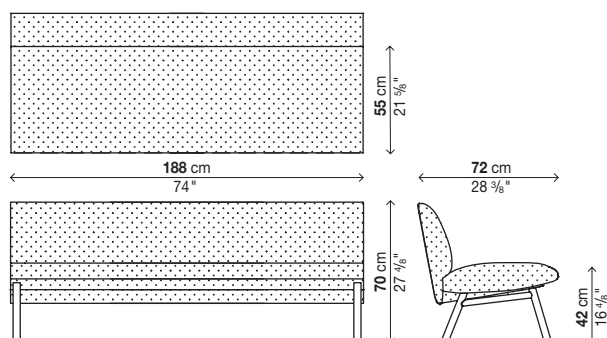
Verbrauch COL: 8,4 mq.

Für verstärkte Verpackungen siehe Innenseite des Umschlags.

Art.-Nr.	Gestell	Bezug											kolli	m ³	Kg		
		A	B	C	D	E	F	G	H	L1	L2	L3					
29TUI13	Lackierter Stahl																

Optionen

Art.-Nr.	Beschreibung	kolli	m ³	Kg
29TUI13	Feuerfest	-	-	-
	Kissen, siehe Seite 121	-	-	-



TUILE SYSTEM

Zweisitzer Zwischenmodul

Ausführung Gestell:

Weiß lackierter Stahl (farbähnlich wie "Polyurethan Weiß P001")
 Schwarz lackierter Stahl (farbähnlich wie "Polyurethan Schwarz P003")
 Terracottabraun lackierter Stahl (farbähnlich wie "Polyurethan Terracotta P006")
 Olivgrün lackierter Stahl (farbähnlich wie "Polyurethan Olivgrün P008")
 Grau London lackierter Stahl (farbähnlich wie "Grau London 0718 Fenix-NTM®")

Ausführung des Bezugs:

A = Valencia (Synthetische Leder)
 B = Field 2, COM (Kundenstoff)
 C = Merit, COL (Kundenleder)
 D = Clara 2, Patio, Regal, Remix 2
 E = Curmi, Hero, Melange Nap
 F = Canvas 2, Scuba, Steelcut Trio 3
 G = Divina Melange 3, Hallingdal 65
 H = Twill Weave
 L1 = Coast (Nubukleder)
 L2 = Elmosoft (Semianilinleder)
 L3 = Elmotique (Anilinleder)

Anmerkung:

ABZIEHBAR:
 Abziehbare Bezüge (*): FIELD 2, COM, CLARA 2, MERIT, CURMI, PATIO, REMIX 2, CANVAS 2, HERO, MELANGE NAP, STEELCUT TRIO 3, DIVINA MELANGE 3, HALLINGDAL 65, REGAL, TWILL WEAVE.
 Fixe Bezüge: VALENCIA, COL, SCUBA, COAST, ELMOSOFT, ELMOTIQUE.
 (*) Der Bezug ist TECHNISCH GESEHEN ABZIEHBAR, um seinen perfekten Sitz zu garantieren, sollte er jedoch ausschließlich von Fachkräften des Polsterhandwerks aufgezogen werden.

Für Informationen zur Zusammensetzung der Stoffe siehe Innenseite des Umschlags.

Für Aufträge mit COM/COL siehe Innenseite des Umschlags.

Verbrauch COM: 3,1 ml (H. 140 cm).

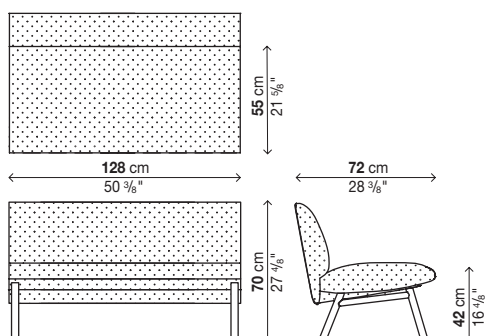
Verbrauch COL: 6,2 mq.

Für verstärkte Verpackungen siehe Innenseite des Umschlags.

Art.-Nr.	Gestell	Bezug											kolli	m ³	Kg		
		A	B	C	D	E	F	G	H	L1	L2	L3					
29TUI14	Lackierter Stahl																

Optionen

Art.-Nr.	Beschreibung	kolli	m ³	Kg
29TUI14	Feuerfest	-	-	-
	Kissen, siehe Seite 121	-	-	-



TUILE SYSTEM

Einsitzer Zwischenmodul

Ausführung Gestell:

Weiß lackierter Stahl (farbähnlich wie "Polyurethan Weiß P001")
 Schwarz lackierter Stahl (farbähnlich wie "Polyurethan Schwarz P003")
 Terracottabraun lackierter Stahl (farbähnlich wie "Polyurethan Terracotta P006")
 Olivgrün lackierter Stahl (farbähnlich wie "Polyurethan Olivgrün P008")
 Grau London lackierter Stahl (farbähnlich wie "Grau London 0718 Fenix-NTM®")

Ausführung des Bezugs:

A = Valencia (Synthetische Leder)
 B = Field 2, COM (Kundenstoff)
 C = Merit, COL (Kundenleder)
 D = Clara 2, Patio, Regal, Remix 2
 E = Curmi, Hero, Melange Nap
 F = Canvas 2, Scuba, Steelcut Trio 3
 G = Divina Melange 3, Hallingdal 65
 H = Twill Weave
 L1 = Coast (Nubukleder)
 L2 = Elmosoft (Semianilinleder)
 L3 = Elmotique (Anilinleder)

Anmerkung:

ABZIEHBAR:
 Abziehbare Bezüge (*): FIELD 2, COM, CLARA 2, MERIT, CURMI, PATIO, REMIX 2, CANVAS 2, HERO, MELANGE NAP, STEELCUT TRIO 3, DIVINA MELANGE 3, HALLINGDAL 65, REGAL, TWILL WEAVE.
 Fixe Bezüge: VALENCIA, COL, SCUBA, COAST, ELMOSOFT, ELMOTIQUE.
 (*) Der Bezug ist TECHNISCH GESEHEN ABZIEHBAR, um seinen perfekten Sitz zu garantieren, sollte er jedoch ausschließlich von Fachkräften des Polsterhandwerks aufgezogen werden.

Für Informationen zur Zusammensetzung der Stoffe siehe Innenseite des Umschlags.

Für Aufträge mit COM/COL siehe Innenseite des Umschlags.

Verbrauch COM: 2,1 ml (H. 140 cm).

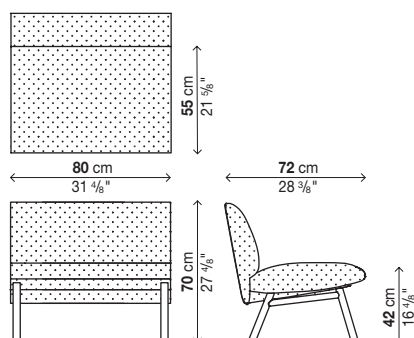
Verbrauch COL: 4 mq.

Für verstärkte Verpackungen siehe Innenseite des Umschlags.

Art.-Nr.	Gestell	Bezug											kolli	m ³	Kg		
		A	B	C	D	E	F	G	H	L1	L2	L3					
29TUI15	Lackierter Stahl																

Optionen

Art.-Nr.	Beschreibung	kolli	m ³	Kg
29TUI15	Feuerfest	-	-	-
	Kissen, siehe Seite 121	-	-	-



TUILE SYSTEM

Eckelement 90°

Ausführung Gestell:

Weiß lackierter Stahl (farbähnlich wie "Polyurethan Weiß P001")
 Schwarz lackierter Stahl (farbähnlich wie "Polyurethan Schwarz P003")
 Terracottabraun lackierter Stahl (farbähnlich wie "Polyurethan Terracotta P006")
 Olivgrün lackierter Stahl (farbähnlich wie "Polyurethan Olivgrün P008")
 Grau London lackierter Stahl (farbähnlich wie "Grau London 0718 Fenix-NTM®")

Ausführung des Bezugs:

A = Valencia (Synthetische Leder)
 B = Field 2, COM (Kundenstoff)
 C = Merit, COL (Kundenleder)
 D = Clara 2, Patio, Regal, Remix 2
 E = Curmi, Hero, Melange Nap
 F = Canvas 2, Scuba, Steelcut Trio 3
 G = Divina Melange 3, Hallingdal 65
 H = Twill Weave
 L1 = Coast (Nubukleder)
 L2 = Elmosoft (Semianilinleder)
 L3 = Elmotique (Anilinleder)

Anmerkung:

ABZIEHBAR:
 Abziehbare Bezüge (*): FIELD 2, COM, CLARA 2, MERIT, CURMI, PATIO, REMIX 2, CANVAS 2, HERO, MELANGE NAP, STEELCUT TRIO 3, DIVINA MELANGE 3, HALLINGDAL 65, REGAL, TWILL WEAVE.
 Fixe Bezüge: VALENCIA, COL, SCUBA, COAST, ELMOSOFT, ELMOTIQUE.
 (*) Der Bezug ist TECHNISCH GESEHEN ABZIEHBAR, um seinen perfekten Sitz zu garantieren, sollte er jedoch ausschließlich von Fachkräften des Polsterhandwerks aufgezogen werden.

Für Informationen zur Zusammensetzung der Stoffe siehe Innenseite des Umschlags.

Für Aufträge mit COM/COL siehe Innenseite des Umschlags.

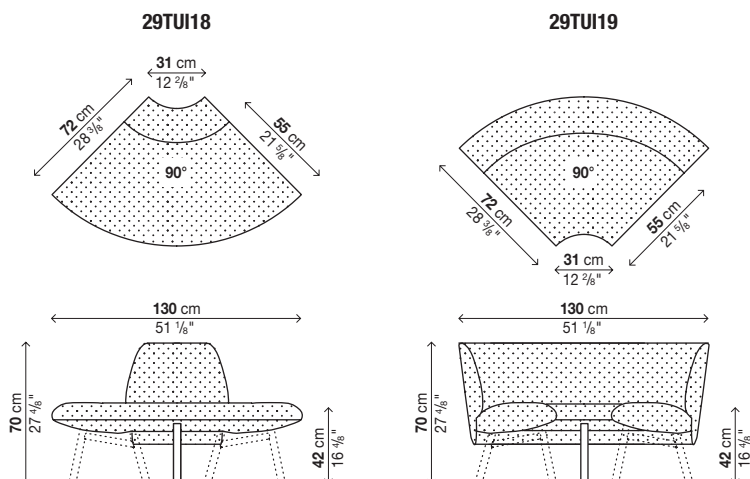
Verbrauch modulo angolo 90° aperto:
 COM: 3,1 ml (H. 140 cm).
 COL: 5,9 mq.
 Verbrauch modulo angolo 90° chiuso:
 COM: 4 ml (H. 140 cm).
 COL: 7,7 mq.

Für verstärkte Verpackungen siehe Innenseite des Umschlags.

Art.-Nr.	Beschreibung	Gestell	Bezug											koli	m ³	Kg	
			A	B	C	D	E	F	G	H	L1	L2	L3				
29TUI18	90° ecke offen	Lackierter Stahl															
29TUI19	90° ecke schließen	Lackierter Stahl															

Optionen

Art.-Nr.	Beschreibung	koli	m ³	Kg
29TUI18	Feuerfest	-	-	-
29TUI19	Feuerfest	-	-	-
	Kissen, siehe Seite 121	-	-	-



TUILE SYSTEM

Eckelement 25°

Ausführung Gestell:

Weiß lackierter Stahl (farbähnlich wie "Polyurethan Weiß P001")
 Schwarz lackierter Stahl (farbähnlich wie "Polyurethan Schwarz P003")
 Terracottabraun lackierter Stahl (farbähnlich wie "Polyurethan Terracotta P006")
 Olivgrün lackierter Stahl (farbähnlich wie "Polyurethan Olivgrün P008")
 Grau London lackierter Stahl (farbähnlich wie "Grau London 0718 Fenix-NTM®")

Ausführung des Bezugs:

A = Valencia (Synthetische Leder)
 B = Field 2, COM (Kundenstoff)
 C = Merit, COL (Kundenleder)
 D = Clara 2, Patio, Regal, Remix 2
 E = Curmi, Hero, Melange Nap
 F = Canvas 2, Scuba, Steelcut Trio 3
 G = Divina Melange 3, Hallingdal 65
 H = Twill Weave
 L1 = Coast (Nubukleder)
 L2 = Elmosoft (Semianilinleder)
 L3 = Elmotique (Anilinleder)

Anmerkung:

ABZIEHBAR:
 Abziehbare Bezüge (*): FIELD 2, COM, CLARA 2, MERIT, CURMI, PATIO, REMIX 2, CANVAS 2, HERO, MELANGE NAP, STEELCUT TRIO 3, DIVINA MELANGE 3, HALLINGDAL 65, REGAL, TWILL WEAVE.
 Fixe Bezüge: VALENCIA, COL, SCUBA, COAST, ELMOSOFT, ELMOTIQUE.
 (*) Der Bezug ist TECHNISCH GESEHEN ABZIEHBAR, um seinen perfekten Sitz zu garantieren, sollte er jedoch ausschließlich von Fachkräften des Polsterhandwerks aufgezogen werden.

Für Informationen zur Zusammensetzung der Stoffe siehe Innenseite des Umschlags.

Für Aufträge mit COM/COL siehe Innenseite des Umschlags.

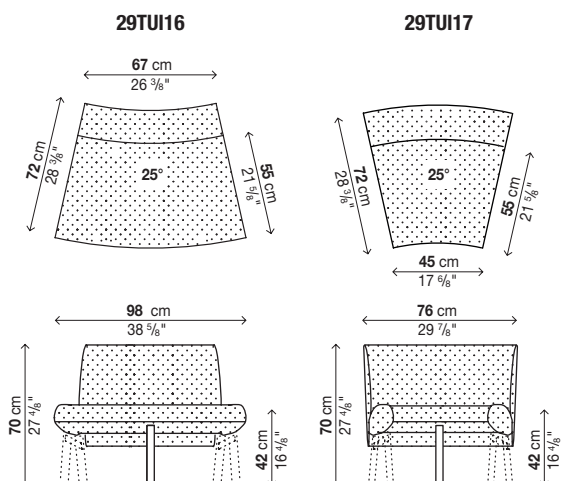
Verbrauch modulo angolo 25° aperto:
 COM: 2,7 ml (H. 140 cm).
 COL: 5,2 mq.
 Verbrauch modulo angolo 25° chiuso:
 COM: 2 ml (H. 140 cm).
 COL: 3,9 mq.

Für verstärkte Verpackungen siehe Innenseite des Umschlags.

Art.-Nr.	Beschreibung	Gestell	Bezug											kolli	m ²	Kg	
			A	B	C	D	E	F	G	H	L1	L2	L3				
29TUI16	25° ecke offen	Lackierter Stahl															
29TUI17	25° ecke schließen	Lackierter Stahl															

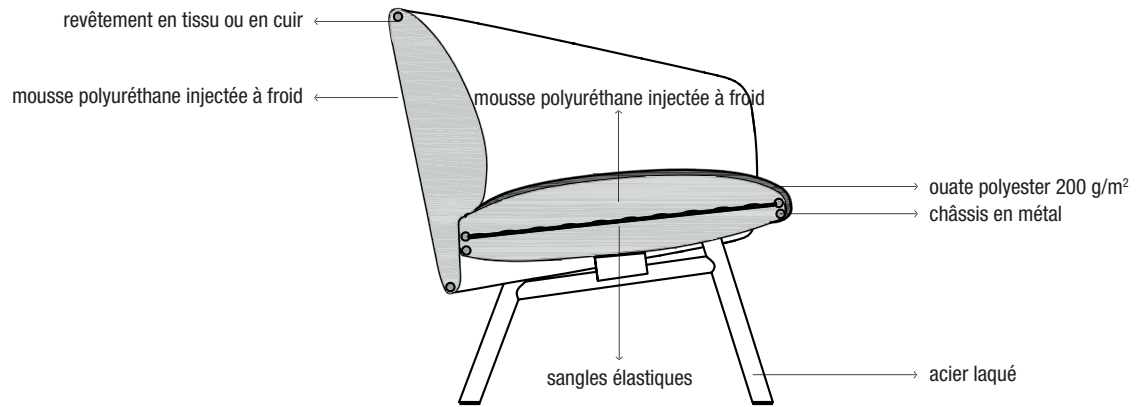
Optionen

Art.-Nr.	Beschreibung		kolli	m ²	Kg
29TUI16	Feuerfest		-	-	-
29TUI17	Feuerfest		-	-	-
	Kissen, siehe Seite 121		-	-	-



TUILE

Info



Légende:



TUILE

Canapé 3 places

Finition piètement:

Acier laqué blanc (reference couleur "Polyuréthane blanc P001")
 Acier laqué noir (reference couleur "Polyuréthane noir P003")
 Acier laqué terre cuite (reference couleur "Polyuréthane terre cuite P006")
 Acier laqué vert olive (reference couleur "Polyuréthane vert olive P008")
 Acier laqué gris Londres (reference couleur "gris Londres 0718 Fenix-NTM®")

Finition du revêtement:

A = Valencia (cuir synthétique)
 B = Field 2, COM (tissu Client)
 C = Merit, COL (cuir du Client)
 D = Clara 2, Patio, Regal, Remix 2
 E = Curmi, Hero, Melange Nap
 F = Canvas 2, Scuba, Steelcut Trio 3
 G = Divina Melange 3, Hallingdal 65
 H = Twill Weave
 L1 = Coast (cuir fleur corrigé)
 L2 = Elmosoft (cuir semi-aniline)
 L3 = Elmotique (cuir aniline)

Notes:

DÉHOUSSABILITÉ:
 Revêtements déhoussables (*): FIELD 2, COM, CLARA 2, MERIT, CURMI, PATIO, REMIX 2, CANVAS 2, HERO, MELANGE NAP, STEELCUT TRIO 3, DIVINA MELANGE 3, HALLINGDAL 65, REGAL, TWILL WEAVE.
 Revêtements fixes: VALENCIA, COL, SCUBA, COAST, ELMOSOFT, ELMOTIQUE.
 (*) Le revêtement est TECHNIQUEMENT DÉHOUSSABLE. Toutefois, afin de garantir une parfaite adhérence, il devra être remis par un personnel spécialisé en tissus d'ameublement ou par un tapissier.

Pour toute information sur les compositions des tissus, voir intérieur de la couverture.

Pour les commandes COM/COL, voir intérieur de la couverture.

Consommation COM: 4,8 ml (H. 140 cm).

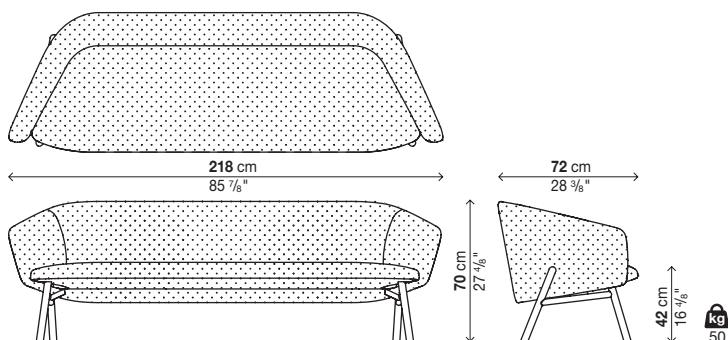
Consommation COL: 9,1 mq.

Emballages renforcés, voir intérieur de la couverture.

Code	Piètement	Revêtement											colis	m ³	Kg			
		A	B	C	D	E	F	G	H	L1	L2	L3						
29TUI03	Acier laqué															1	1,75	85

Optionals

Code	Description	colis	m ³	Kg
29TUI03	Ignifuge	-	-	-
	Coussins, voir page 121	-	-	-



TUILE

Canapé 2 places

Finition piètement:

Acier laqué blanc (reference couleur "Polyuréthane blanc P001")
 Acier laqué noir (reference couleur "Polyuréthane noir P003")
 Acier laqué terre cuite (reference couleur "Polyuréthane terre cuite P006")
 Acier laqué vert olive (reference couleur "Polyuréthane vert olive P008")
 Acier laqué gris Londres (reference couleur "gris Londres 0718 Fenix-NTM®")

Finition du revêtement:

A = Valencia (cuir synthétique)
 B = Field 2, COM (tissu Client)
 C = Merit, COL (cuir du Client)
 D = Clara 2, Patio, Regal, Remix 2
 E = Curmi, Hero, Melange Nap
 F = Canvas 2, Scuba, Steelcut Trio 3
 G = Divina Melange 3, Hallingdal 65
 H = Twill Weave
 L1 = Coast (cuir fleur corrigé)
 L2 = Elmosoft (cuir semi-aniline)
 L3 = Elmotique (cuir aniline)

Notes:

DÉHOUSSABILITÉ:
 Revêtements déhoussables (*): FIELD 2, COM, CLARA 2, MERIT, CURMI, PATIO, REMIX 2, CANVAS 2, HERO, MELANGE NAP, STEELCUT TRIO 3, DIVINA MELANGE 3, HALLINGDAL 65, REGAL, TWILL WEAVE.
 Revêtements fixes: VALENCIA, COL, SCUBA, COAST, ELMOSOFT, ELMOTIQUE.

(*) Le revêtement est TECHNIQUEMENT DÉHOUSSABLE. Toutefois, afin de garantir une parfaite adhérence, il devra être remis par un personnel spécialisé en tissus d'ameublement ou par un tapissier.

Pour toute information sur les compositions des tissus, voir intérieur de la couverture.

Pour les commandes COM/COL, voir intérieur de la couverture.

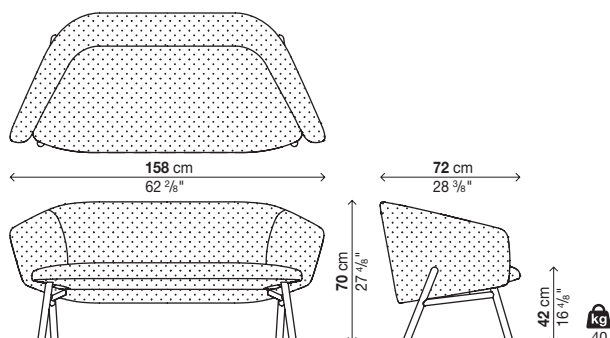
Consommation COM: 3,6 ml (H. 140 cm).
 Consommation COL: 6,8 mq.

Emballages renforcés, voir intérieur de la couverture.

Code	Piètement	Revêtement											colis	m ³	Kg			
		A	B	C	D	E	F	G	H	L1	L2	L3						
29TUI02	Acier laqué															1	1,3	78

Optionals

Code	Description	colis	m ³	Kg
29TUI02	Ignifuge	-	-	-
	Coussins, voir page 121	-	-	-



TUILE

Fauteuil

Finition piètement:

Acier laqué blanc (reference couleur "Polyuréthane blanc P001")
 Acier laqué noir (reference couleur "Polyuréthane noir P003")
 Acier laqué terre cuite (reference couleur "Polyuréthane terre cuite P006")
 Acier laqué vert olive (reference couleur "Polyuréthane vert olive P008")
 Acier laqué gris Londres (reference couleur "gris Londres 0718 Fenix-NTM®")

Finition du revêtement:

A = Valencia (cuir synthétique)
 B = Field 2, COM (tissu Client)
 C = Merit, COL (cuir du Client)
 D = Clara 2, Patio, Regal, Remix 2
 E = Curmi, Hero, Melange Nap
 F = Canvas 2, Scuba, Steelcut Trio 3
 G = Divina Melange 3, Hallingdal 65
 H = Twill Weave
 L1 = Coast (cuir fleur corrigé)
 L2 = Elmosoft (cuir semi-aniline)
 L3 = Elmotique (cuir aniline)

Notes:

DÉHOUSSABILITÉ:
 Revêtements déhoussables (*): FIELD 2, COM, CLARA 2, MERIT, CURMI, PATIO, REMIX 2, CANVAS 2, HERO, MELANGE NAP, STEELCUT TRIO 3, DIVINA MELANGE 3, HALLINGDAL 65, REGAL, TWILL WEAVE.
 Revêtements fixes: VALENCIA, COL, SCUBA, COAST, ELMOFOFT, ELMOTIQUE.

(* Le revêtement est TECHNIQUEMENT DÉHOUSSABLE. Toutefois, afin de garantir une parfaite adhérence, il devra être remis par un personnel spécialisé en tissus d'ameublement ou par un tapissier.

Pour toute information sur les compositions des tissus, voir intérieur de la couverture.

Pour les commandes COM/COL, voir intérieur de la couverture.

Consommation COM: 2,2 ml (H. 140 cm).

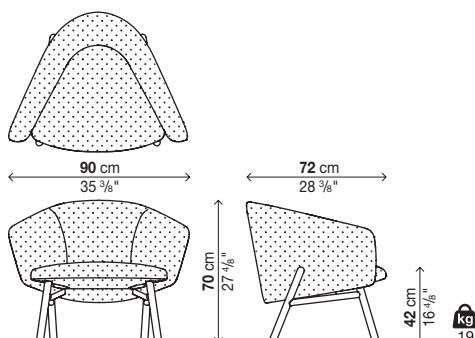
Consommation COL: 4,2 mq.

Emballages renforcés, voir intérieur de la couverture.

Code	Piètement	Revêtement											colis	m ³	Kg			
		A	B	C	D	E	F	G	H	L1	L2	L3						
29TUI01	Acier laqué															1	0,75	40

Optionals

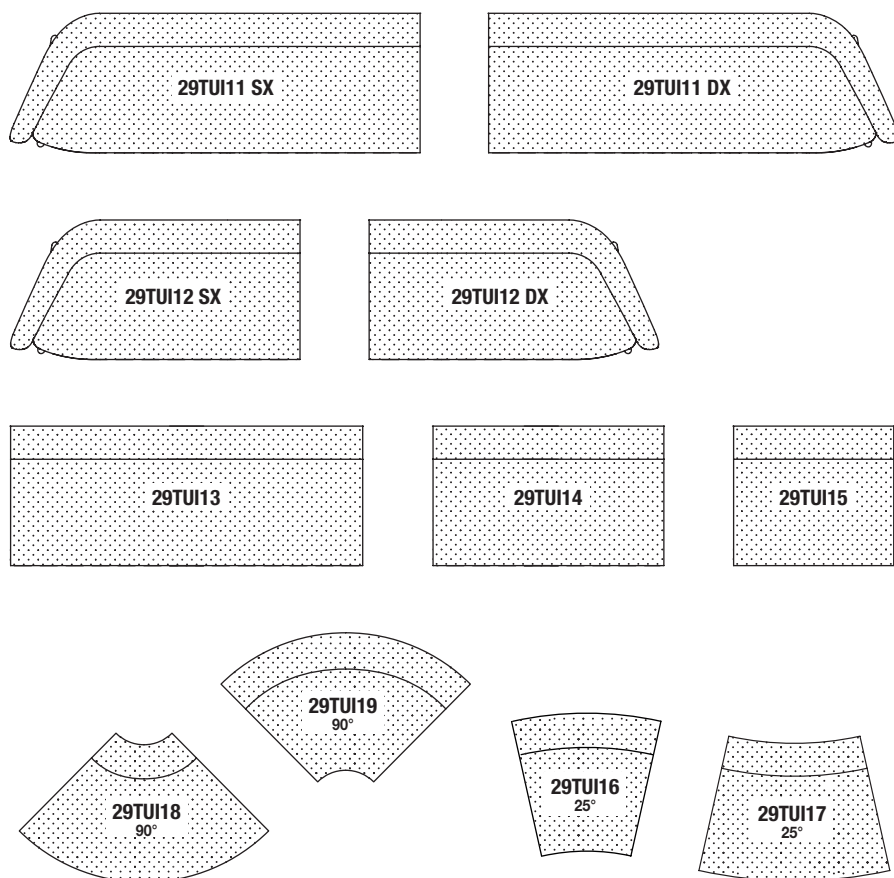
Code	Description	colis	m ³	Kg
29TUI01	Ignifuge	-	-	-
	Coussins, voir page 121	-	-	-



TUILE SYSTEM

Info

Légende:

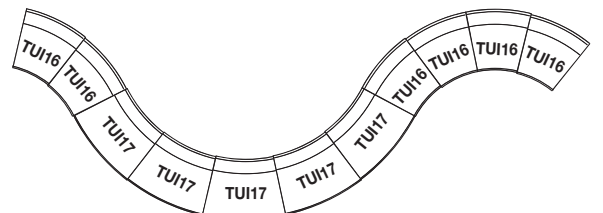
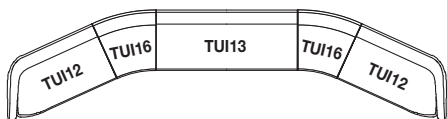
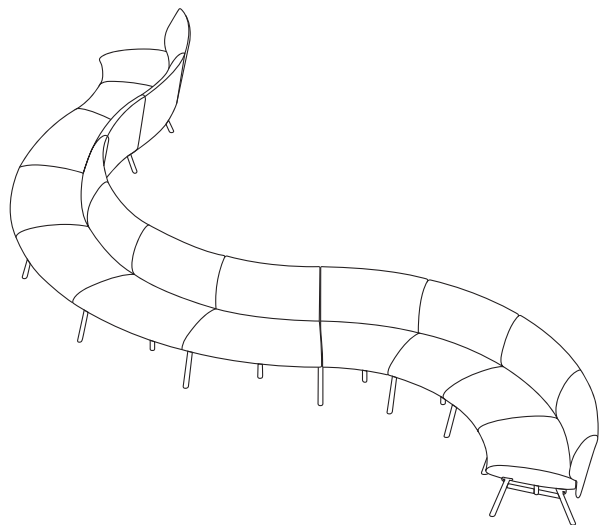
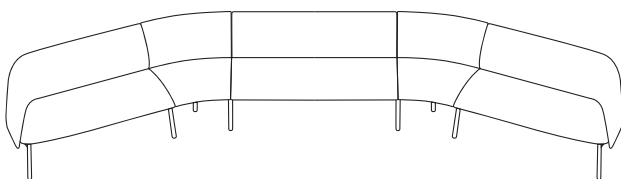
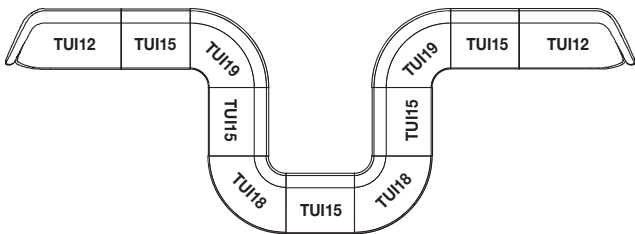
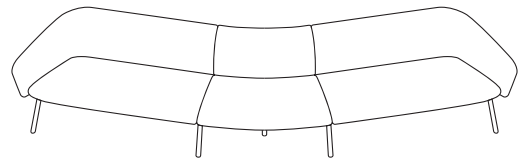
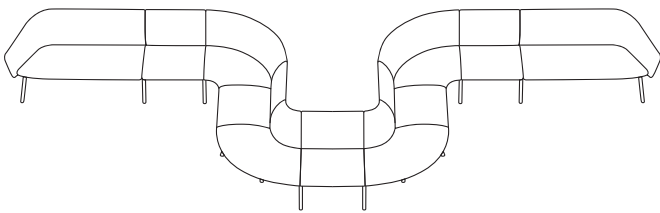
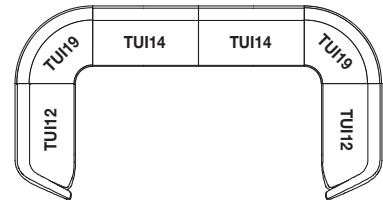
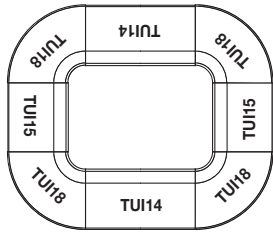
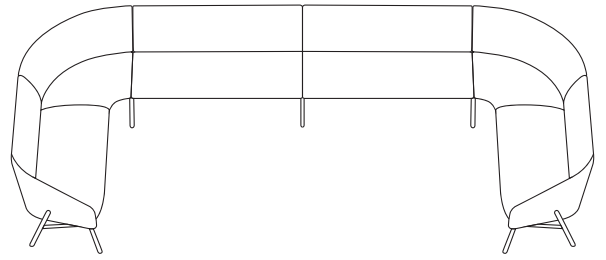
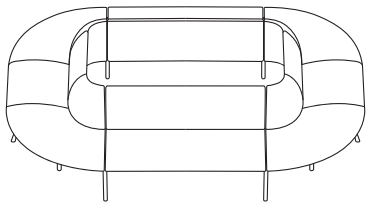


Attention:

Accompagner la commande avec un graphique de la composition et avec une liste de chaque élément.

TUILE SYSTEM

Exemples de composition



TUILE SYSTEM

Module terminal 3 places droit/gauche

Finition piètement:

Acier laqué blanc (reference couleur "Polyuréthane blanc P001")
 Acier laqué noir (reference couleur "Polyuréthane noir P003")
 Acier laqué terre cuite (reference couleur "Polyuréthane terre cuite P006")
 Acier laqué vert olive (reference couleur "Polyuréthane vert olive P008")
 Acier laqué gris Londres (reference couleur "gris Londres 0718 Fenix-NTM®")

Finition du revêtement:

A = Valencia (cuir synthétique)
 B = Field 2, COM (tissu Client)
 C = Merit, COL (cuir du Client)
 D = Clara 2, Patio, Regal, Remix 2
 E = Curmi, Hero, Melange Nap
 F = Canvas 2, Scuba, Steelcut Trio 3
 G = Divina Melange 3, Hallingdal 65
 H = Twill Weave
 L1 = Coast (cuir fleur corrigé)
 L2 = Elmosoft (cuir semi-aniline)
 L3 = Elmotique (cuir aniline)

Notes:

DÉHOUSSABILITÉ:
 Revêtements déhoussables (*): FIELD 2, COM, CLARA 2, MERIT, CURMI, PATIO, REMIX 2, CANVAS 2, HERO, MELANGE NAP, STEELCUT TRIO 3, DIVINA MELANGE 3, HALLINGDAL 65, REGAL, TWILL WEAVE.
 Revêtements fixes: VALENCIA, COL, SCUBA, COAST, ELMOSOFT, ELMOTIQUE.
 (*) Le revêtement est TECHNIQUEMENT DÉHOUSSABLE. Toutefois, afin de garantir une parfaite adhérence, il devra être remis par un personnel spécialisé en tissus d'ameublement ou par un tapissier.

Pour toute information sur les compositions des tissus, voir intérieur de la couverture.

Pour les commandes COM/COL, voir intérieur de la couverture.

Consommation COM: 4,9 ml (H. 140 cm).

Consommation COL: 9,8 mq.

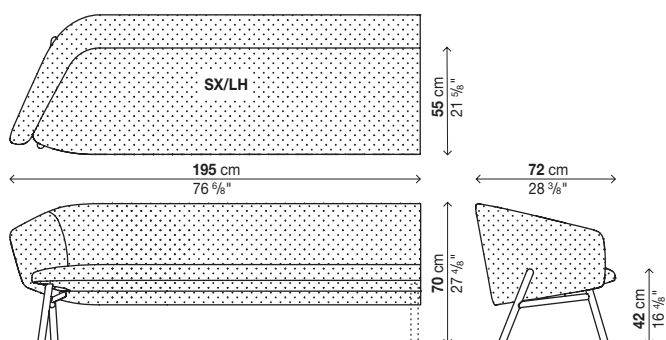
Emballages renforcés, voir intérieur de la couverture.

Code	Piètement	Revêtement											colis	m ³	Kg		
		A	B	C	D	E	F	G	H	L1	L2	L3					
29TUI11	Acier laqué																

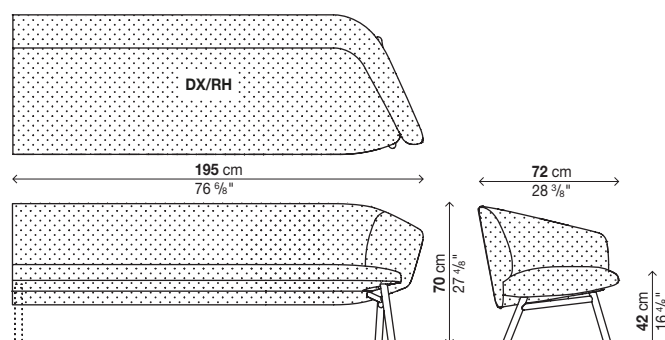
Optionals

Code	Description	colis	m ³	Kg
29TUI11	Ignifuge	-	-	-
	Coussins, voir page 121	-	-	-

20TUI11 SX/LH



20TUI11 DX/RH



TUILE SYSTEM

Module terminal 2 places droit/gauche

Finition piètement:

- Acier laqué blanc (reference couleur "Polyuréthane blanc P001")
- Acier laqué noir (reference couleur "Polyuréthane noir P003")
- Acier laqué terre cuite (reference couleur "Polyuréthane terre cuite P006")
- Acier laqué vert olive (reference couleur "Polyuréthane vert olive P008")
- Acier laqué gris Londres (reference couleur "gris Londres 0718 Fenix-NTM®")

Finition du revêtement:

- A = Valencia (cuir synthétique)
- B = Field 2, COM (tissu Client)
- C = Merit, COL (cuir du Client)
- D = Clara 2, Patio, Regal, Remix 2
- E = Curmi, Hero, Melange Nap
- F = Canvas 2, Scuba, Steelcut Trio 3
- G = Divina Melange 3, Hallingdal 65
- H = Twill Weave
- L1 = Coast (cuir fleur corrigé)
- L2 = Elmosoft (cuir semi-aniline)
- L3 = Elmotique (cuir aniline)

Notes:

DÉHOUSSABILITÉ:
 Revêtements déhoussables (*): FIELD 2, COM, CLARA 2, MERIT, CURMI, PATIO, REMIX 2, CANVAS 2, HERO, MELANGE NAP, STEELCUT TRIO 3, DIVINA MELANGE 3, HALLINGDAL 65, REGAL, TWILL WEAVE.
 Revêtements fixes: VALENCIA, COL, SCUBA, COAST, ELMOSOFT, ELMOTIQUE.

(*) Le revêtement est TECHNIQUEMENT DÉHOUSSABLE. Toutefois, afin de garantir une parfaite adhérence, il devra être remis par un personnel spécialisé en tissus d'ameublement ou par un tapissier.

Pour toute information sur les compositions des tissus, voir intérieur de la couverture.

Pour les commandes COM/COL, voir intérieur de la couverture.

Consommation COM: 3,7 ml (H. 140 cm).

Consommation COL: 7,4 mq.

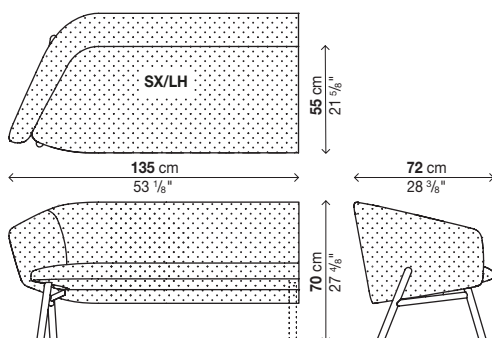
Emballages renforcés, voir intérieur de la couverture.

Code	Piètement	Revêtement											colis	m ³	Kg		
		A	B	C	D	E	F	G	H	L1	L2	L3					
29TUI12	Acier laqué																

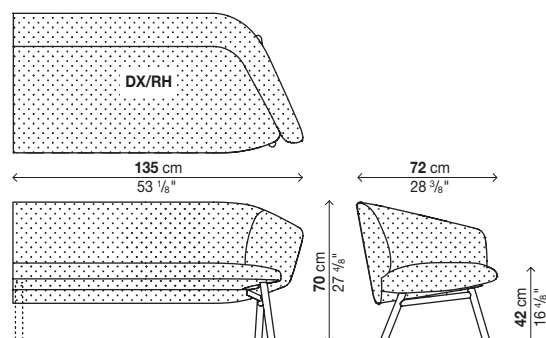
Optionals

Code	Description	colis	m ³	Kg
29TUI12	Ignifuge	-	-	-
	Coussins, voir page 121	-	-	-

20TUI12 SX/LH



20TUI12 DX/RH



TUILE SYSTEM

Module intermédiaire 3 places

Finition piètement:

Acier laqué blanc (reference couleur "Polyuréthane blanc P001")
 Acier laqué noir (reference couleur "Polyuréthane noir P003")
 Acier laqué terre cuite (reference couleur "Polyuréthane terre cuite P006")
 Acier laqué vert olive (reference couleur "Polyuréthane vert olive P008")
 Acier laqué gris Londres (reference couleur "gris Londres 0718 Fenix-NTM®")

Finition du revêtement:

A = Valencia (cuir synthétique)
 B = Field 2, COM (tissu Client)
 C = Merit, COL (cuir du Client)
 D = Clara 2, Patio, Regal, Remix 2
 E = Curmi, Hero, Melange Nap
 F = Canvas 2, Scuba, Steelcut Trio 3
 G = Divina Melange 3, Hallingdal 65
 H = Twill Weave
 L1 = Coast (cuir fleur corrigé)
 L2 = Elmosoft (cuir semi-aniline)
 L3 = Elmotique (cuir aniline)

Notes:

DÉHOUSSABILITÉ:
 Revêtements déhoussables (*): FIELD 2, COM, CLARA 2, MERIT, CURMI, PATIO, REMIX 2, CANVAS 2, HERO, MELANGE NAP, STEELCUT TRIO 3, DIVINA MELANGE 3, HALLINGDAL 65, REGAL, TWILL WEAVE.
 Revêtements fixes: VALENCIA, COL, SCUBA, COAST, ELMOSOFT, ELMOTIQUE.
 (*) Le revêtement est TECHNIQUEMENT DÉHOUSSABLE. Toutefois, afin de garantir une parfaite adhérence, il devra être remis par un personnel spécialisé en tissus d'ameublement ou par un tapissier.

Pour toute information sur les compositions des tissus, voir intérieur de la couverture.

Pour les commandes COM/COL, voir intérieur de la couverture.

Consommation COM: 4,2 ml (H. 140 cm).

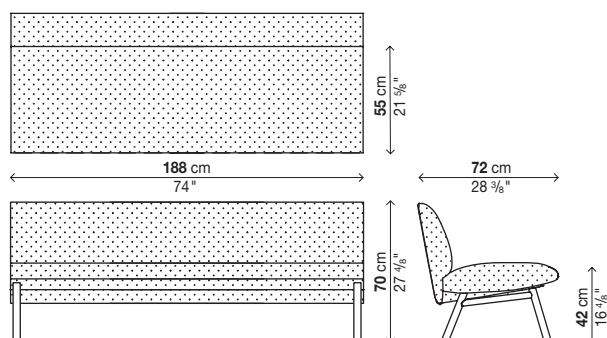
Consommation COL: 8,4 mq.

Emballages renforcés, voir intérieur de la couverture.

Code	Piètement	Revêtement											colis	m ³	Kg		
		A	B	C	D	E	F	G	H	L1	L2	L3					
29TUI13	Acier laqué																

Optionals

Code	Description	colis	m ³	Kg
29TUI13	Ignifuge	-	-	-
	Coussins, voir page 121	-	-	-



TUILE SYSTEM

Module intermédiaire 2 places

Finition piètement:

Acier laqué blanc (reference couleur "Polyuréthane blanc P001")
 Acier laqué noir (reference couleur "Polyuréthane noir P003")
 Acier laqué terre cuite (reference couleur "Polyuréthane terre cuite P006")
 Acier laqué vert olive (reference couleur "Polyuréthane vert olive P008")
 Acier laqué gris Londres (reference couleur "gris Londres 0718 Fenix-NTM®")

Finition du revêtement:

A = Valencia (cuir synthétique)
 B = Field 2, COM (tissu Client)
 C = Merit, COL (cuir du Client)
 D = Clara 2, Patio, Regal, Remix 2
 E = Curmi, Hero, Melange Nap
 F = Canvas 2, Scuba, Steelcut Trio 3
 G = Divina Melange 3, Hallingdal 65
 H = Twill Weave
 L1 = Coast (cuir fleur corrigé)
 L2 = Elmosoft (cuir semi-aniline)
 L3 = Elmotique (cuir aniline)

Notes:

DÉHOUSSABILITÉ:
 Revêtements déhoussables (*): FIELD 2, COM, CLARA 2, MERIT, CURMI, PATIO, REMIX 2, CANVAS 2, HERO, MELANGE NAP, STEELCUT TRIO 3, DIVINA MELANGE 3, HALLINGDAL 65, REGAL, TWILL WEAVE.
 Revêtements fixes: VALENCIA, COL, SCUBA, COAST, ELMOSOFT, ELMOTIQUE.

(* Le revêtement est TECHNIQUEMENT DÉHOUSSABLE. Toutefois, afin de garantir une parfaite adhérence, il devra être remis par un personnel spécialisé en tissus d'ameublement ou par un tapissier.

Pour toute information sur les compositions des tissus, voir intérieur de la couverture.

Pour les commandes COM/COL, voir intérieur de la couverture.

Consommation COM: 3,1 ml (H. 140 cm).

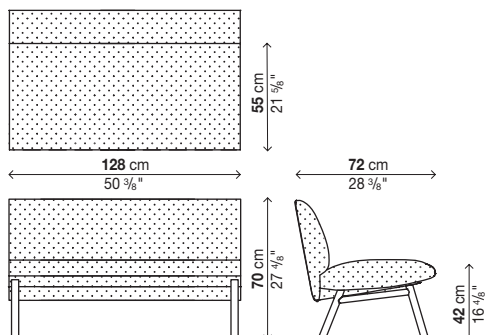
Consommation COL: 6,2 mq.

Emballages renforcés, voir intérieur de la couverture.

Code	Piètement	Revêtement											colis	m ³	Kg		
		A	B	C	D	E	F	G	H	L1	L2	L3					
29TUI14	Acier laqué																

Optionals

Code	Description	colis	m ³	Kg
29TUI14	Ignifuge	-	-	-
	Coussins, voir page 121	-	-	-



TUILE SYSTEM

Module intermédiaire 1 places

Finition piètement:

Acier laqué blanc (reference couleur "Polyuréthane blanc P001")
 Acier laqué noir (reference couleur "Polyuréthane noir P003")
 Acier laqué terre cuite (reference couleur "Polyuréthane terre cuite P006")
 Acier laqué vert olive (reference couleur "Polyuréthane vert olive P008")
 Acier laqué gris Londres (reference couleur "gris Londres 0718 Fenix-NTM®")

Finition du revêtement:

A = Valencia (cuir synthétique)
 B = Field 2, COM (tissu Client)
 C = Merit, COL (cuir du Client)
 D = Clara 2, Patio, Regal, Remix 2
 E = Curmi, Hero, Melange Nap
 F = Canvas 2, Scuba, Steelcut Trio 3
 G = Divina Melange 3, Hallingdal 65
 H = Twill Weave
 L1 = Coast (cuir fleur corrigé)
 L2 = Elmosoft (cuir semi-aniline)
 L3 = Elmotique (cuir aniline)

Notes:

DÉHOUSSABILITÉ:
 Revêtements déhoussables (*): FIELD 2, COM, CLARA 2, MERIT, CURMI, PATIO, REMIX 2, CANVAS 2, HERO, MELANGE NAP, STEELCUT TRIO 3, DIVINA MELANGE 3, HALLINGDAL 65, REGAL, TWILL WEAVE.
 Revêtements fixes: VALENCIA, COL, SCUBA, COAST, ELMOSOFT, ELMOTIQUE.
 (*) Le revêtement est TECHNIQUEMENT DÉHOUSSABLE. Toutefois, afin de garantir une parfaite adhérence, il devra être remis par un personnel spécialisé en tissus d'ameublement ou par un tapissier.

Pour toute information sur les compositions des tissus, voir intérieur de la couverture.

Pour les commandes COM/COL, voir intérieur de la couverture.

Consommation COM: 2,1 ml (H. 140 cm).

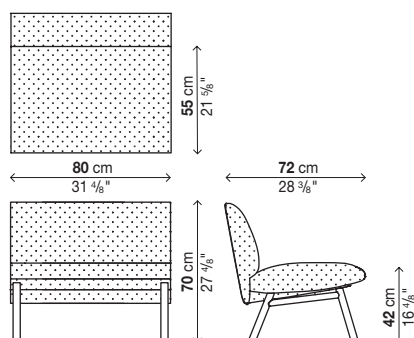
Consommation COL: 4 mq.

Emballages renforcés, voir intérieur de la couverture.

Code	Piètement	Revêtement											colis	m ³	Kg		
		A	B	C	D	E	F	G	H	L1	L2	L3					
29TUI15	Acier laqué																

Optionals

Code	Description	colis	m ³	Kg
29TUI15	Ignifuge	-	-	-
	Coussins, voir page 121	-	-	-



TUILE SYSTEM

Module angle 90°

Finition piètement:

- Acier laqué blanc (reference couleur "Polyuréthane blanc P001")
- Acier laqué noir (reference couleur "Polyuréthane noir P003")
- Acier laqué terre cuite (reference couleur "Polyuréthane terre cuite P006")
- Acier laqué vert olive (reference couleur "Polyuréthane vert olive P008")
- Acier laqué gris Londres (reference couleur "gris Londres 0718 Fenix-NTM®")

Finition du revêtement:

- A = Valencia (cuir synthétique)
- B = Field 2, COM (tissu Client)
- C = Merit, COL (cuir du Client)
- D = Clara 2, Patio, Regal, Remix 2
- E = Curmi, Hero, Melange Nap
- F = Canvas 2, Scuba, Steelcut Trio 3
- G = Divina Melange 3, Hallingdal 65
- H = Twill Weave
- L1 = Coast (cuir fleur corrigé)
- L2 = Elmosoft (cuir semi-aniline)
- L3 = Elmotique (cuir aniline)

Notes:

DÉHOUSSABILITÉ:
 Revêtements déhoussables (*): FIELD 2, COM, CLARA 2, MERIT, CURMI, PATIO, REMIX 2, CANVAS 2, HERO, MELANGE NAP, STEELCUT TRIO 3, DIVINA MELANGE 3, HALLINGDAL 65, REGAL, TWILL WEAVE.
 Revêtements fixes: VALENCIA, COL, SCUBA, COAST, ELMOSOFT, ELMOTIQUE.
 (*) Le revêtement est TECHNIQUEMENT DÉHOUSSABLE. Toutefois, afin de garantir une parfaite adhérence, il devra être remis par un personnel spécialisé en tissus d'ameublement ou par un tapissier.

Pour toute information sur les compositions des tissus, voir intérieur de la couverture.

Pour les commandes COM/COL, voir intérieur de la couverture.

Consommation module 90° angle ouvert:

COM: 3,1 ml (H. 140 cm).

COL: 5,9 mq.

Consommation module 90° angle fermé:

COM: 4 ml (H. 140 cm).

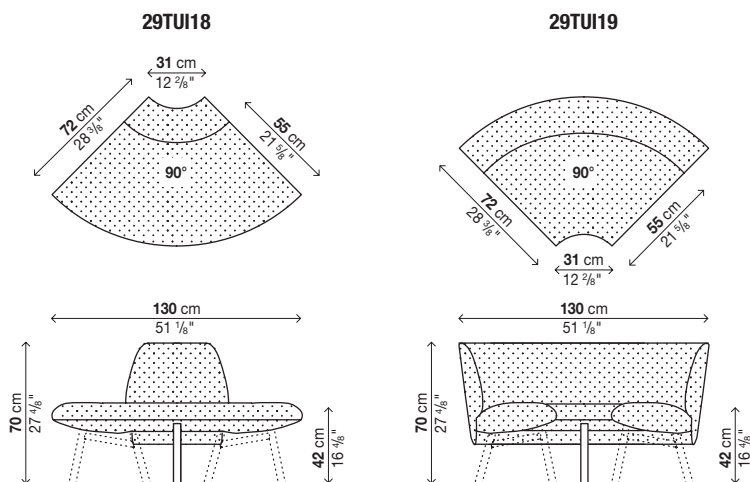
COL: 7,7 mq.

Emballages renforcés, voir intérieur de la couverture.

Code	Description	Piètement	Revêtement										colis	m ³	Kg		
			A	B	C	D	E	F	G	H	L1	L2				L3	
29TUI18	90° angle ouvert	Acier laqué															
29TUI19	90° angle fermé	Acier laqué															

Optionals

Code	Description	colis	m ³	Kg
29TUI18	Ignifuge	-	-	-
29TUI19	Ignifuge	-	-	-
	Coussins, voir page 121	-	-	-



TUILE SYSTEM

Module angle 25°

Finition piètement:

Acier laqué blanc (reference couleur "Polyuréthane blanc P001")
 Acier laqué noir (reference couleur "Polyuréthane noir P003")
 Acier laqué terre cuite (reference couleur "Polyuréthane terre cuite P006")
 Acier laqué vert olive (reference couleur "Polyuréthane vert olive P008")
 Acier laqué gris Londres (reference couleur "gris Londres 0718 Fenix-NTM®")

Finition du revêtement:

A = Valencia (cuir synthétique)
 B = Field 2, COM (tissu Client)
 C = Merit, COL (cuir du Client)
 D = Clara 2, Patio, Regal, Remix 2
 E = Curmi, Hero, Melange Nap
 F = Canvas 2, Scuba, Steelcut Trio 3
 G = Divina Melange 3, Hallingdal 65
 H = Twill Weave
 L1 = Coast (cuir fleur corrigé)
 L2 = Elmosoft (cuir semi-aniline)
 L3 = Elmotique (cuir aniline)

Notes:

DÉHOUSSABILITÉ:
 Revêtements déhoussables (*): FIELD 2, COM, CLARA 2, MERIT, CURMI, PATIO, REMIX 2, CANVAS 2, HERO, MELANGE NAP, STEELCUT TRIO 3, DIVINA MELANGE 3, HALLINGDAL 65, REGAL, TWILL WEAVE.
 Revêtements fixes: VALENCIA, COL, SCUBA, COAST, ELMOSOFT, ELMOTIQUE.
 (*) Le revêtement est TECHNIQUEMENT DÉHOUSSABLE. Toutefois, afin de garantir une parfaite adhérence, il devra être remis par un personnel spécialisé en tissus d'ameublement ou par un tapissier.

Pour toute information sur les compositions des tissus, voir intérieur de la couverture.

Pour les commandes COM/COL, voir intérieur de la couverture.

Consommation module 25° angle ouvert:

COM: 2,7 ml (H. 140 cm).

COL: 5,2 mq.

Consommation module 25° angle fermé:

COM: 2 ml (H. 140 cm).

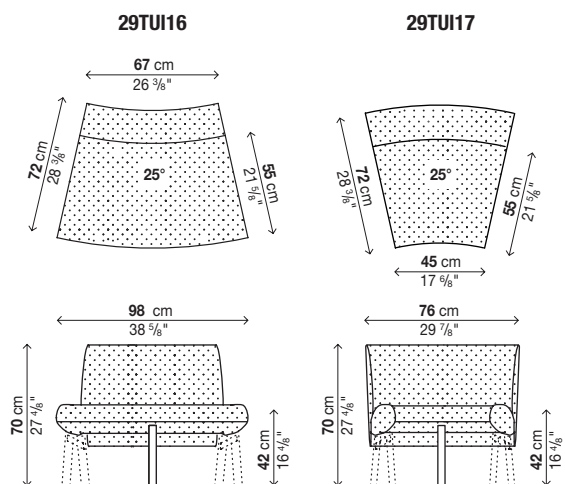
COL: 3,9 mq.

Emballages renforcés, voir intérieur de la couverture.

Code	Description	Piètement	Revêtement										colis	m ³	Kg		
			A	B	C	D	E	F	G	H	L1	L2				L3	
29TUI16	25° angle ouvert	Acier laqué															
29TUI17	25° angle fermé	Acier laqué															

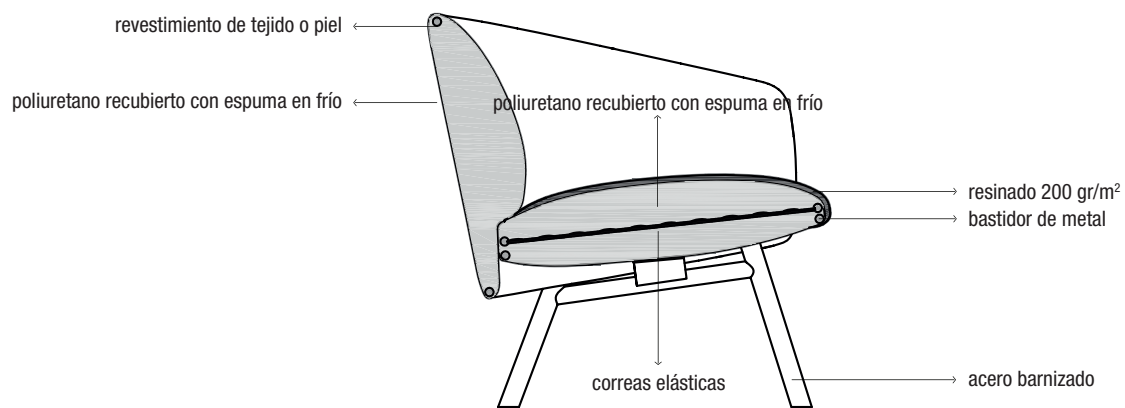
Optionals

Code	Description	colis	m ³	Kg
29TUI16	Ignifuge	-	-	-
29TUI17	Ignifuge	-	-	-
	Coussins, voir page 121	-	-	-



TUILE

Info



Leyenda:



TUILE

Sofá 3 plazas

Acabado base:

Acero barnizado blanco (para referencia color ver "Poliuretano blanco P001")
 Acero barnizado negro (para referencia color ver "Poliuretano negro P003")
 Acero barnizado terracota (para referencia color ver "Poliuretano terracota P006")
 Acero barnizado verde oliva (para referencia color ver "Poliuretano verde oliva P008")
 Acero barnizado gris Londres (para referencia color ver "Gris Londres 0718 Fenix-NTM®")

Acabado revestimiento:

A = Valencia (piel sintética)
 B = Field 2, COM (tejido Cliente)
 C = Merit, COL (piel del Cliente)
 D = Clara 2, Patio, Regal, Remix 2
 E = Curmi, Hero, Melange Nap
 F = Canvas 2, Scuba, Steelcut Trio 3
 G = Divina Melange 3, Hallingdal 65
 H = Twill Weave
 L1 = Coast (piel flor corregida)
 L2 = Elmosoft (piel semi-anilina)
 L3 = Elmotique (piel anilina)

Notas:

DESENFUNDABILIDAD:
 Revestimientos desenfundables (*): FIELD 2, COM, CLARA 2, MERIT, CURMI, PATIO, REMIX 2, CANVAS 2, HERO, MELANGE NAP, STEELCUT TRIO 3, DIVINA MELANGE 3, HALLINGDAL 65, REGAL, TWILL WEAVE.
 Revestimientos fijos: VALENCIA, COL, SCUBA, COAST, ELMOSOFT, ELMOTIQUE.

(* El revestimiento es TÉCNICAMENTE DESENFUNDABLE, para garantizar una correcta adherencia debe ser recolado exclusivamente por personal especializado en tapicería.

Para obtener información sobre las composiciones de los tejidos, ver lado interno de la portada.

Para pedidos COM/COL ver lado interno de la portada.

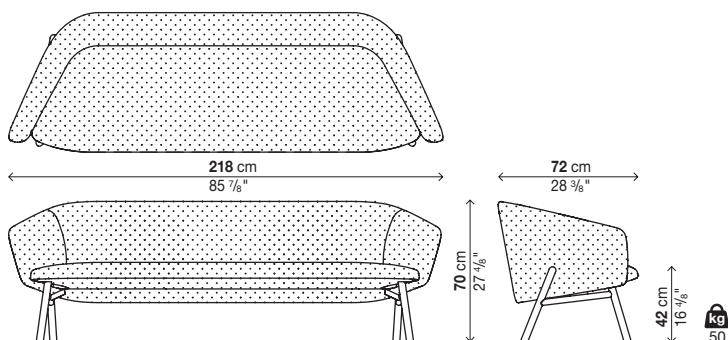
Consumo COM: 4,8 ml (H. 140 cm).
 Consumo COL: 9,1 mq.

Embalajes reforzados, ver lado interno de la portada.

Código	Base	Revestimiento											pack	m ³	Kg		
		A	B	C	D	E	F	G	H	L1	L2	L3					
29TUI03	Acero barnizado														1	1,75	85

Opcionales

Código	Descripción	pack	m ³	Kg
29TUI03	Ignifugo	-	-	-
	Cojines, ver página 121	-	-	-



TUILE

Sofá 2 plazas

Acabado base:

Acero barnizado blanco (para referencia color ver "Poliuretano blanco P001")
 Acero barnizado negro (para referencia color ver "Poliuretano negro P003")
 Acero barnizado terracota (para referencia color ver "Poliuretano terracota P006")
 Acero barnizado verde oliva (para referencia color ver "Poliuretano verde oliva P008")
 Acero barnizado gris Londres (para referencia color ver "Gris Londres 0718 Fenix-NTM®")

Acabado revestimiento:

A = Valencia (piel sintética)
 B = Field 2, COM (tejido Cliente)
 C = Merit, COL (piel del Cliente)
 D = Clara 2, Patio, Regal, Remix 2
 E = Curmi, Hero, Melange Nap
 F = Canvas 2, Scuba, Steelcut Trio 3
 G = Divina Melange 3, Hallingdal 65
 H = Twill Weave
 L1 = Coast (piel flor corregida)
 L2 = Elmosoft (piel semi-anilina)
 L3 = Elmotique (piel anilina)

Notas:

DESENFUNDABILIDAD:
 Revestimientos desenfundables (*): FIELD 2, COM, CLARA 2, MERIT, CURMI, PATIO, REMIX 2, CANVAS 2, HERO, MELANGE NAP, STEELCUT TRIO 3, DIVINA MELANGE 3, HALLINGDAL 65, REGAL, TWILL WEAVE.
 Revestimientos fijos: VALENCIA, COL, SCUBA, COAST, ELMOSOFT, ELMOTIQUE.

(* El revestimiento es TÉCNICAMENTE DESENFUNDABLE, para garantizar una correcta adherencia debe ser recolocado exclusivamente por personal especializado en tapicería.

Para obtener información sobre las composiciones de los tejidos, ver lado interno de la portada.

Para pedidos COM/COL ver lado interno de la portada.

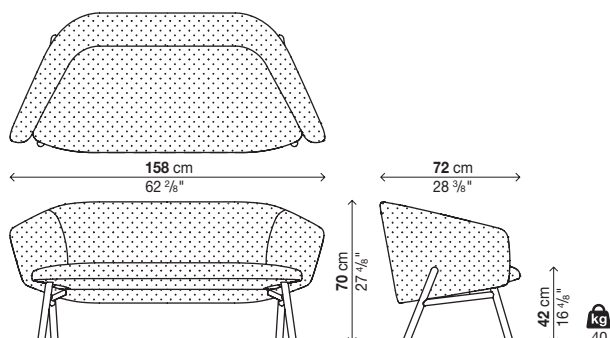
Consumo COM: 3,6 ml (H. 140 cm).
 Consumo COL: 6,8 mq.

Embalajes reforzados, ver lado interno de la portada.

Código	Base	Revestimiento											pack	m³	Kg			
		A	B	C	D	E	F	G	H	L1	L2	L3						
29TUI02	Acero barnizado															1	1,3	78

Opcionales

Código	Descripción	pack	m³	Kg
29TUI02	Ignifugo	-	-	-
	Cojines, ver página 121	-	-	-



TUILE

Butaca

Acabado base:

Acero barnizado blanco (para referencia color ver "Poliuretano blanco P001")
 Acero barnizado negro (para referencia color ver "Poliuretano negro P003")
 Acero barnizado terracota (para referencia color ver "Poliuretano terracota P006")
 Acero barnizado verde oliva (para referencia color ver "Poliuretano verde oliva P008")
 Acero barnizado gris Londres (para referencia color ver "Gris Londres 0718 Fenix-NTM®")

Acabado revestimiento:

A = Valencia (piel sintética)
 B = Field 2, COM (tejido Cliente)
 C = Merit, COL (piel del Cliente)
 D = Clara 2, Patio, Regal, Remix 2
 E = Curmi, Hero, Melange Nap
 F = Canvas 2, Scuba, Steelcut Trio 3
 G = Divina Melange 3, Hallingdal 65
 H = Twill Weave
 L1 = Coast (piel flor corregida)
 L2 = Elmosoft (piel semi-anilina)
 L3 = Elmotique (piel anilina)

Notas:

DESENFUNDABILIDAD:
 Revestimientos desenfundables (*): FIELD 2, COM, CLARA 2, MERIT, CURMI, PATIO, REMIX 2, CANVAS 2, HERO, MELANGE NAP, STEELCUT TRIO 3, DIVINA MELANGE 3, HALLINGDAL 65, REGAL, TWILL WEAVE.
 Revestimientos fijos: VALENCIA, COL, SCUBA, COAST, ELMOSOFT, ELMOTIQUE.

(* El revestimiento es TÉCNICAMENTE DESENFUNDABLE, para garantizar una correcta adherencia debe ser recolocado exclusivamente por personal especializado en tapicería.

Para obtener información sobre las composiciones de los tejidos, ver lado interno de la portada.

Para pedidos COM/COL ver lado interno de la portada.

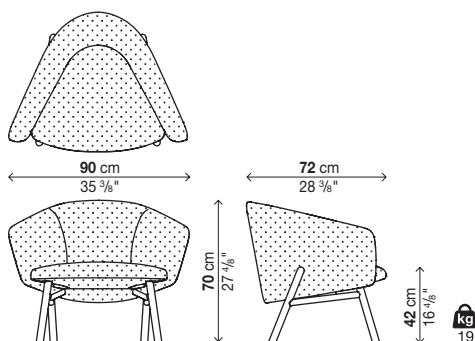
Consumo COM: 2,2 ml (H. 140 cm).
 Consumo COL: 4,2 mq.

Embalajes reforzados, ver lado interno de la portada.

Código	Base	Revestimiento											pack	m ³	Kg		
		A	B	C	D	E	F	G	H	L1	L2	L3					
29TUI01	Acero barnizado														1	0,75	40

Opcionales

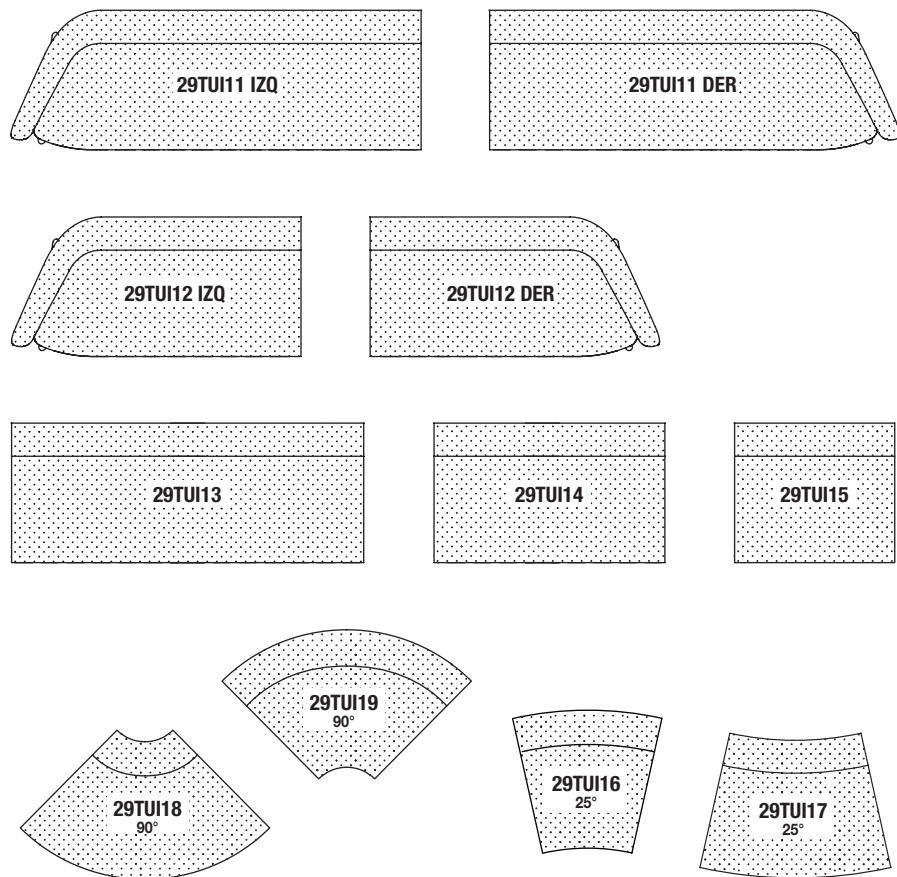
Código	Descripción	pack	m ³	Kg
29TUI01	Ignifugo	-	-	-
	Cojines, ver página 121	-	-	-



TUILE SYSTEM

Info

Leyenda:

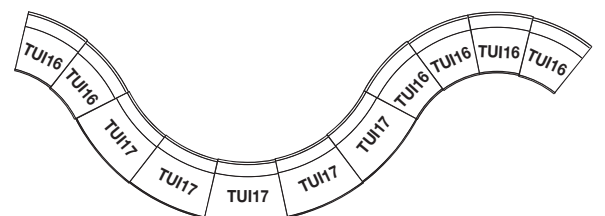
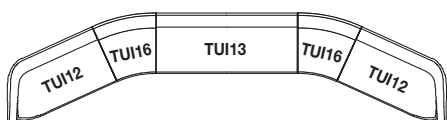
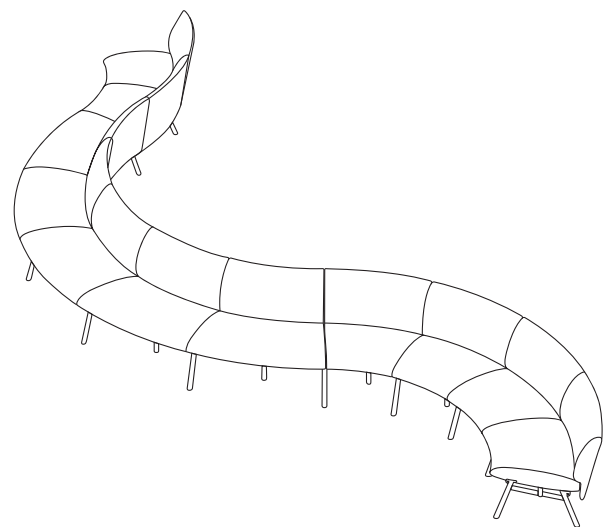
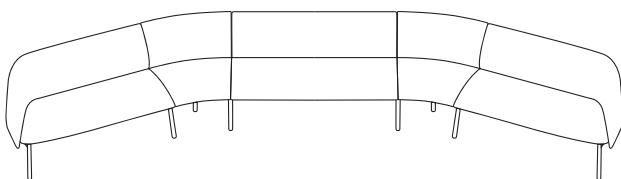
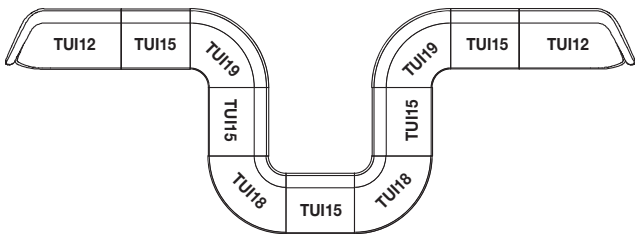
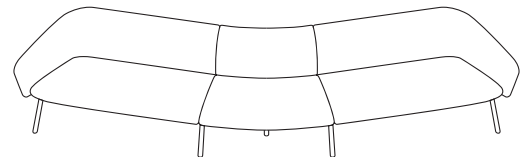
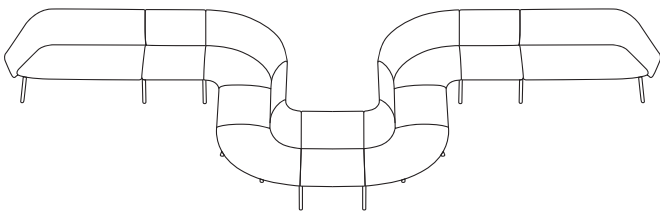
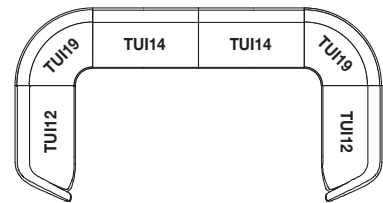
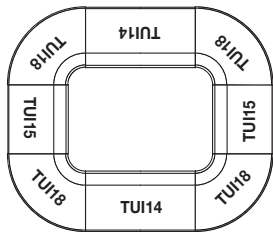
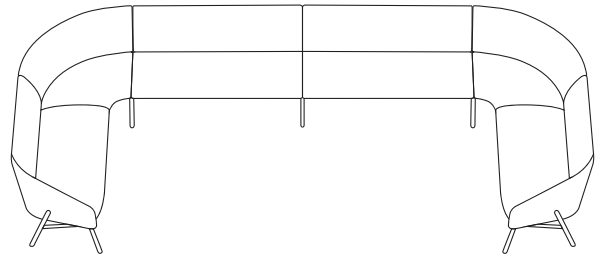
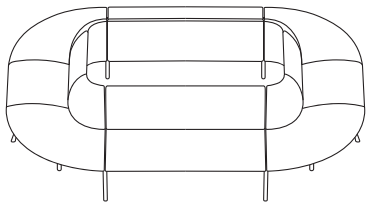


Atención:

Combina la composición gráfica con la lista de elementos individuales.

TUILE SYSTEM

Ejemplos de composicion



TUILE SYSTEM

Módulo terminale 3 plazas dcho/izqda

Acabado base:

Acero barnizado blanco (para referencia color ver "Poliuretano blanco P001")
 Acero barnizado negro (para referencia color ver "Poliuretano negro P003")
 Acero barnizado terracota (para referencia color ver "Poliuretano terracota P006")
 Acero barnizado verde oliva (para referencia color ver "Poliuretano verde oliva P008")
 Acero barnizado gris Londres (para referencia color ver "Gris Londres 0718 Fenix-NTM®")

Acabado revestimiento:

A = Valencia (piel sintética)
 B = Field 2, COM (tejido Cliente)
 C = Merit, COL (piel del Cliente)
 D = Clara 2, Patio, Regal, Remix 2
 E = Curmi, Hero, Melange Nap
 F = Canvas 2, Scuba, Steelcut Trio 3
 G = Divina Melange 3, Hallingdal 65
 H = Twill Weave
 L1 = Coast (piel flor corregida)
 L2 = Elmosoft (piel semi-anilina)
 L3 = Elmotique (piel anilina)

Notas:

DESENFUNDABILIDAD:
 Revestimientos desenfundables (*): FIELD 2, COM, CLARA 2, MERIT, CURMI, PATIO, REMIX 2, CANVAS 2, HERO, MELANGE NAP, STEELCUT TRIO 3, DIVINA MELANGE 3, HALLINGDAL 65, REGAL, TWILL WEAVE.
 Revestimientos fijos: VALENCIA, COL, SCUBA, COAST, ELMOOSOFT, ELMOTIQUE.

(*) El revestimiento es TÉCNICAMENTE DESENFUNDABLE, para garantizar una correcta adherencia debe ser recolocado exclusivamente por personal especializado en tapicería.

Para obtener información sobre las composiciones de los tejidos, ver lado interno de la portada.

Para pedidos COM/COL ver lado interno de la portada.

Consumo COM: 4,9 ml (H. 140 cm).

Consumo COL: 9,8 mq.

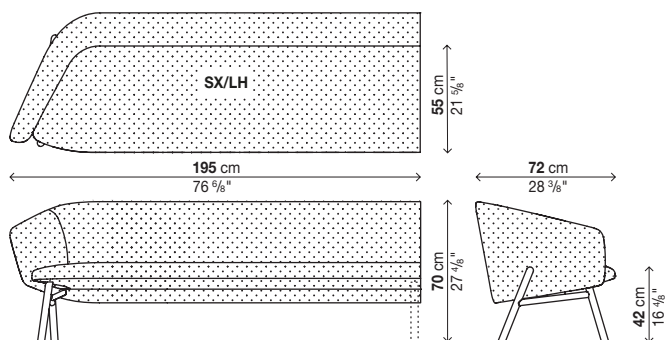
Embalajes reforzados, ver lado interno de la portada.

Código	Base	Revestimiento											pack	m³	Kg		
		A	B	C	D	E	F	G	H	L1	L2	L3					
29TUI11	Acero barnizado																

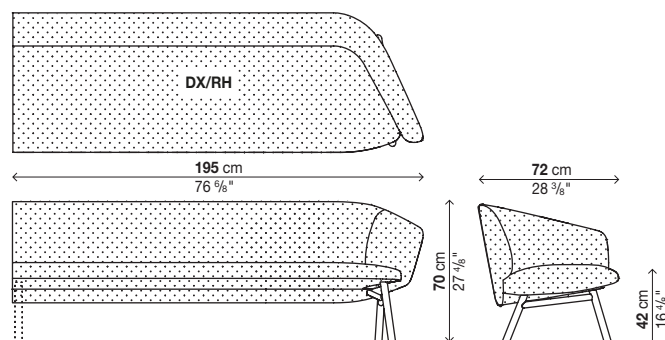
Opcionales

Código	Descripción	pack	m³	Kg
29TUI11	Ignifugo	-	-	-
	Cojines, ver página 121	-	-	-

20TUI11 SX/LH



20TUI11 DX/RH



TUILE SYSTEM

Módulo terminale 2 plazas dcho/izqda

Acabado base:

- Acero barnizado blanco (para referencia color ver "Poliuretano blanco P001")
- Acero barnizado negro (para referencia color ver "Poliuretano negro P003")
- Acero barnizado terracota (para referencia color ver "Poliuretano terracota P006")
- Acero barnizado verde oliva (para referencia color ver "Poliuretano verde oliva P008")
- Acero barnizado gris Londres (para referencia color ver "Gris Londres 0718 Fenix-NTM®")

Acabado revestimiento:

- A = Valencia (piel sintética)
- B = Field 2, COM (tejido Cliente)
- C = Merit, COL (piel del Cliente)
- D = Clara 2, Patio, Regal, Remix 2
- E = Curmi, Hero, Melange Nap
- F = Canvas 2, Scuba, Steelcut Trio 3
- G = Divina Melange 3, Hallingdal 65
- H = Twill Weave
- L1 = Coast (piel flor corregida)
- L2 = Elmosoft (piel semi-anilina)
- L3 = Elmotique (piel anilina)

Notas:

DESENFUNDABILIDAD:
 Revestimientos desenfundables (*): FIELD 2, COM, CLARA 2, MERIT, CURMI, PATIO, REMIX 2, CANVAS 2, HERO, MELANGE NAP, STEELCUT TRIO 3, DIVINA MELANGE 3, HALLINGDAL 65, REGAL, TWILL WEAVE.
 Revestimientos fijos: VALENCIA, COL, SCUBA, COAST, ELMOSOFT, ELMOTIQUE.

(*): El revestimiento es TÉCNICAMENTE DESENFUNDABLE, para garantizar una correcta adherencia debe ser recolocado exclusivamente por personal especializado en tapicería.

Para obtener información sobre las composiciones de los tejidos, ver lado interno de la portada.

Para pedidos COM/COL ver lado interno de la portada.

Consumo COM: 3,7 ml (H. 140 cm).
 Consumo COL: 7,4 mq.

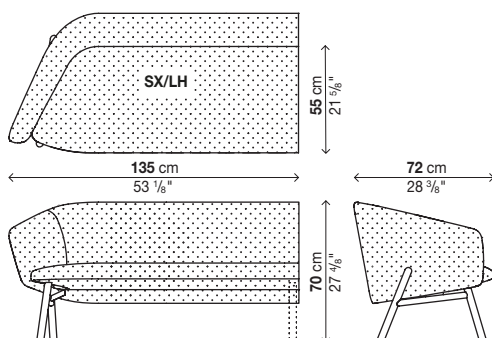
Embalajes reforzados, ver lado interno de la portada.

Código	Base	Revestimiento											pack	m ³	Kg		
		A	B	C	D	E	F	G	H	L1	L2	L3					
29TUI12	Acero barnizado																

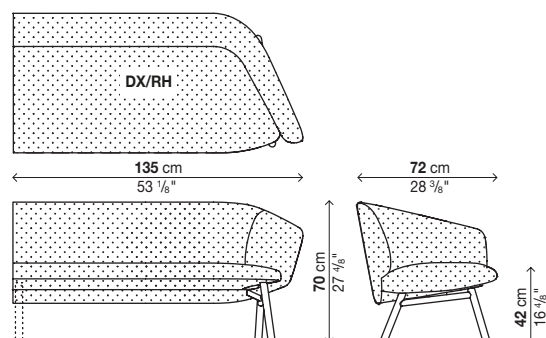
Opcionales

Código	Descripción	pack	m ³	Kg
29TUI12	Ignifugo	-	-	-
	Cojines, ver página 121	-	-	-

20TUI12 SX/LH



20TUI12 DX/RH



TUILE SYSTEM

Módulo intermedio 3 plazas

Acabado base:

Acero barnizado blanco (para referencia color ver "Poliuretano blanco P001")
 Acero barnizado negro (para referencia color ver "Poliuretano negro P003")
 Acero barnizado terracota (para referencia color ver "Poliuretano terracota P006")
 Acero barnizado verde oliva (para referencia color ver "Poliuretano verde oliva P008")
 Acero barnizado gris Londres (para referencia color ver "Gris Londres 0718 Fenix-NTM®")

Acabado revestimiento:

A = Valencia (piel sintética)
 B = Field 2, COM (tejido Cliente)
 C = Merit, COL (piel del Cliente)
 D = Clara 2, Patio, Regal, Remix 2
 E = Curmi, Hero, Melange Nap
 F = Canvas 2, Scuba, Steelcut Trio 3
 G = Divina Melange 3, Hallingdal 65
 H = Twill Weave
 L1 = Coast (piel flor corregida)
 L2 = Elmosoft (piel semi-anilina)
 L3 = Elmotique (piel anilina)

Notas:

DESENFUNDABILIDAD:
 Revestimientos desenfundables (*): FIELD 2, COM, CLARA 2, MERIT, CURMI, PATIO, REMIX 2, CANVAS 2, HERO, MELANGE NAP, STEELCUT TRIO 3, DIVINA MELANGE 3, HALLINGDAL 65, REGAL, TWILL WEAVE.
 Revestimientos fijos: VALENCIA, COL, SCUBA, COAST, ELMOSOFT, ELMOTIQUE.

(*). El revestimiento es TÉCNICAMENTE DESENFUNDABLE, para garantizar una correcta adherencia debe ser recolocado exclusivamente por personal especializado en tapicería.

Para obtener información sobre las composiciones de los tejidos, ver lado interno de la portada.

Para pedidos COM/COL ver lado interno de la portada.

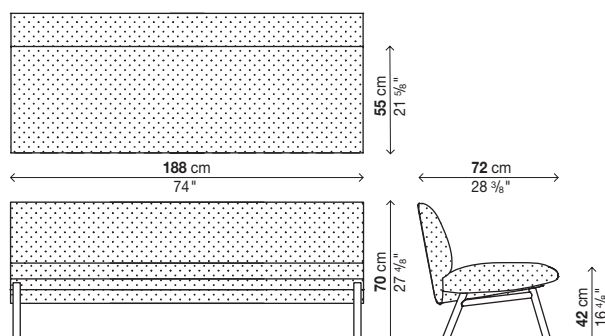
Consumo COM: 4,2 ml (H. 140 cm).
 Consumo COL: 8,4 mq.

Embalajes reforzados, ver lado interno de la portada.

Código	Base	Revestimiento											pack	m ³	Kg		
		A	B	C	D	E	F	G	H	L1	L2	L3					
29TUI13	Acero barnizado																

Opcionales

Código	Descripción	pack	m ³	Kg
29TUI13	Ignifugo	-	-	-
	Cojines, ver página 121	-	-	-



TUILE SYSTEM

Módulo intermedio 2 plazas

Acabado base:

- Acero barnizado blanco (para referencia color ver "Poliuretano blanco P001")
- Acero barnizado negro (para referencia color ver "Poliuretano negro P003")
- Acero barnizado terracota (para referencia color ver "Poliuretano terracota P006")
- Acero barnizado verde oliva (para referencia color ver "Poliuretano verde oliva P008")
- Acero barnizado gris Londres (para referencia color ver "Gris Londres 0718 Fenix-NTM®")

Acabado revestimiento:

- A = Valencia (piel sintética)
- B = Field 2, COM (tejido Cliente)
- C = Merit, COL (piel del Cliente)
- D = Clara 2, Patio, Regal, Remix 2
- E = Curmi, Hero, Melange Nap
- F = Canvas 2, Scuba, Steelcut Trio 3
- G = Divina Melange 3, Hallingdal 65
- H = Twill Weave
- L1 = Coast (piel flor corregida)
- L2 = Elmosoft (piel semi-anilina)
- L3 = Elmotique (piel anilina)

Notas:

DESENFUNDABILIDAD:
 Revestimientos desenfundables (*): FIELD 2, COM, CLARA 2, MERIT, CURMI, PATIO, REMIX 2, CANVAS 2, HERO, MELANGE NAP, STEELCUT TRIO 3, DIVINA MELANGE 3, HALLINGDAL 65, REGAL, TWILL WEAVE.
 Revestimientos fijos: VALENCIA, COL, SCUBA, COAST, ELMOSOFT, ELMOTIQUE.
 (*) El revestimiento es TÉCNICAMENTE DESENFUNDABLE, para garantizar una correcta adherencia debe ser recolocado exclusivamente por personal especializado en tapicería.

Para obtener información sobre las composiciones de los tejidos, ver lado interno de la portada.

Para pedidos COM/COL ver lado interno de la portada.

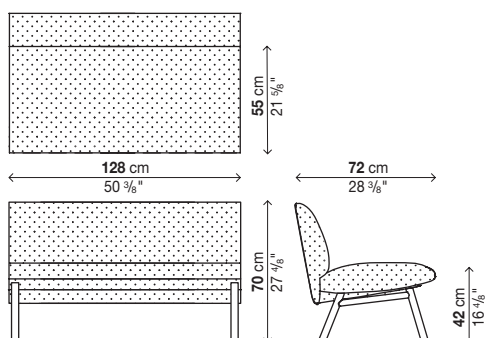
Consumo COM: 3,1 ml (H. 140 cm).
 Consumo COL: 6,2 mq.

Embalajes reforzados, ver lado interno de la portada.

Código	Base	Revestimiento											pack	m ³	Kg		
		A	B	C	D	E	F	G	H	L1	L2	L3					
29TUI14	Acero barnizado																

Opcionales

Código	Descripción	pack	m ³	Kg
29TUI14	Ignifugo	-	-	-
	Cojines, ver página 121	-	-	-



TUILE SYSTEM

Módulo intermedio 1 plaza

Acabado base:

Acero barnizado blanco (para referencia color ver "Poliuretano blanco P001")
 Acero barnizado negro (para referencia color ver "Poliuretano negro P003")
 Acero barnizado terracota (para referencia color ver "Poliuretano terracota P006")
 Acero barnizado verde oliva (para referencia color ver "Poliuretano verde oliva P008")
 Acero barnizado gris Londres (para referencia color ver "Gris Londres 0718 Fenix-NTM®")

Acabado revestimiento:

A = Valencia (piel sintética)
 B = Field 2, COM (tejido Cliente)
 C = Merit, COL (piel del Cliente)
 D = Clara 2, Patio, Regal, Remix 2
 E = Curmi, Hero, Melange Nap
 F = Canvas 2, Scuba, Steelcut Trio 3
 G = Divina Melange 3, Hallingdal 65
 H = Twill Weave
 L1 = Coast (piel flor corregida)
 L2 = Elmosoft (piel semi-anilina)
 L3 = Elmotique (piel anilina)

Notas:

DESENFUNDABILIDAD:
 Revestimientos desenfundables (*): FIELD 2, COM, CLARA 2, MERIT, CURMI, PATIO, REMIX 2, CANVAS 2, HERO, MELANGE NAP, STEELCUT TRIO 3, DIVINA MELANGE 3, HALLINGDAL 65, REGAL, TWILL WEAVE.
 Revestimientos fijos: VALENCIA, COL, SCUBA, COAST, ELMOSOFT, ELMOTIQUE.

(* El revestimiento es TÉCNICAMENTE DESENFUNDABLE, para garantizar una correcta adherencia debe ser recolocado exclusivamente por personal especializado en tapicería.

Para obtener información sobre las composiciones de los tejidos, ver lado interno de la portada.

Para pedidos COM/COL ver lado interno de la portada.

Consumo COM: 2,1 ml (H. 140 cm).

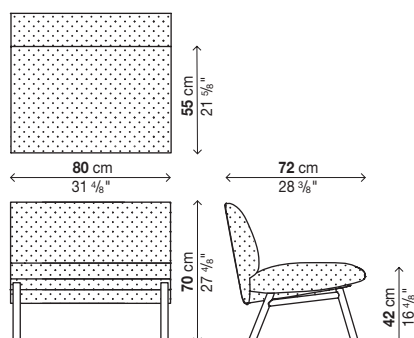
Consumo COL: 4 mq.

Embalajes reforzados, ver lado interno de la portada.

Código	Base	Revestimiento											pack	m ³	Kg		
		A	B	C	D	E	F	G	H	L1	L2	L3					
29TUI15	Acero barnizado																

Opcionales

Código	Descripción	pack	m ³	Kg
29TUI15	Ignifugo	-	-	-
	Cojines, ver página 121	-	-	-



TUILE SYSTEM

Módulo de rincón 90°

Acabado base:

- Acero barnizado blanco (para referencia color ver "Poliuretano blanco P001")
- Acero barnizado negro (para referencia color ver "Poliuretano negro P003")
- Acero barnizado terracota (para referencia color ver "Poliuretano terracota P006")
- Acero barnizado verde oliva (para referencia color ver "Poliuretano verde oliva P008")
- Acero barnizado gris Londres (para referencia color ver "Gris Londres 0718 Fenix-NTM®")

Acabado revestimiento:

- A = Valencia (piel sintética)
- B = Field 2, COM (tejido Cliente)
- C = Merit, COL (piel del Cliente)
- D = Clara 2, Patio, Regal, Remix 2
- E = Curmi, Hero, Melange Nap
- F = Canvas 2, Scuba, Steelcut Trio 3
- G = Divina Melange 3, Hallingdal 65
- H = Twill Weave
- L1 = Coast (piel flor corregida)
- L2 = Elmosoft (piel semi-anilina)
- L3 = Elmotique (piel anilina)

Notas:

DESENFUNDABILIDAD:
 Revestimientos desenfundables (*): FIELD 2, COM, CLARA 2, MERIT, CURMI, PATIO, REMIX 2, CANVAS 2, HERO, MELANGE NAP, STEELCUT TRIO 3, DIVINA MELANGE 3, HALLINGDAL 65, REGAL, TWILL WEAVE.
 Revestimientos fijos: VALENCIA, COL, SCUBA, COAST, ELMOSSOFT, ELMOTIQUE.
 (*) El revestimiento es TÉCNICAMENTE DESENFUNDABLE, para garantizar una correcta adherencia debe ser recolocado exclusivamente por personal especializado en tapicería.

Para obtener información sobre las composiciones de los tejidos, ver lado interno de la portada.

Para pedidos COM/COL ver lado interno de la portada.

Consumo módulo de esquina 90° abierto:

COM: 3,1 ml (H. 140 cm).

COL: 5,9 mq.

Consumo módulo de esquina 90° cerrado:

COM: 4 ml (H. 140 cm).

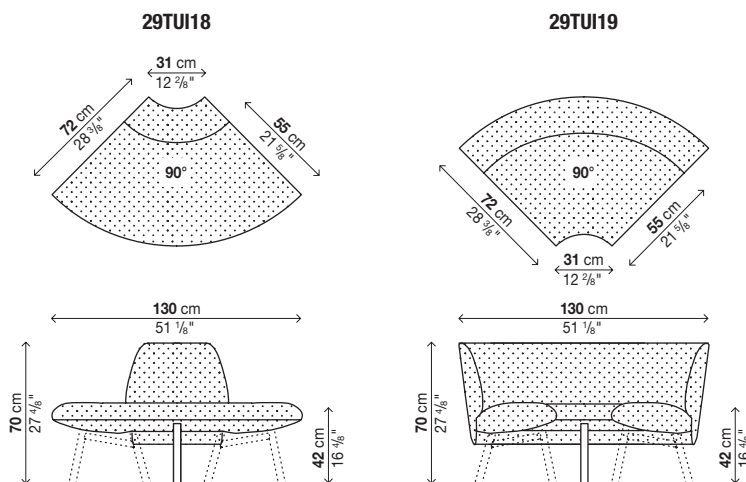
COL: 7,7 mq.

Embalajes reforzados, ver lado interno de la portada.

Código	Descripción	Base	Revestimiento											pack	m ³	Kg	
			A	B	C	D	E	F	G	H	L1	L2	L3				
29TUI18	90° de rincón abierto	Acero barnizado															
29TUI19	90° de rincón cerrada	Acero barnizado															

Opcionales

Código	Descripción	pack	m ³	Kg
29TUI18	Ignifugo	-	-	-
29TUI19	Ignifugo	-	-	-
	Cojines, ver página 121	-	-	-



TUILE SYSTEM

Módulo de rincón 25°

Acabado base:

- Acero barnizado blanco (para referencia color ver "Poliuretano blanco P001")
- Acero barnizado negro (para referencia color ver "Poliuretano negro P003")
- Acero barnizado terracota (para referencia color ver "Poliuretano terracota P006")
- Acero barnizado verde oliva (para referencia color ver "Poliuretano verde oliva P008")
- Acero barnizado gris Londres (para referencia color ver "Gris Londres 0718 Fenix-NTM®")

Acabado revestimiento:

- A = Valencia (piel sintética)
- B = Field 2, COM (tejido Cliente)
- C = Merit, COL (piel del Cliente)
- D = Clara 2, Patio, Regal, Remix 2
- E = Curmi, Hero, Melange Nap
- F = Canvas 2, Scuba, Steelcut Trio 3
- G = Divina Melange 3, Hallingdal 65
- H = Twill Weave
- L1 = Coast (piel flor corregida)
- L2 = Elmosoft (piel semi-anilina)
- L3 = Elmotique (piel anilina)

Notas:

DESENFUNDABILIDAD:
 Revestimientos desenfundables (*): FIELD 2, COM, CLARA 2, MERIT, CURMI, PATIO, REMIX 2, CANVAS 2, HERO, MELANGE NAP, STEELCUT TRIO 3, DIVINA MELANGE 3, HALLINGDAL 65, REGAL, TWILL WEAVE.
 Revestimientos fijos: VALENCIA, COL, SCUBA, COAST, ELMOSSOFT, ELMOTIQUE.

(*) El revestimiento es TÉCNICAMENTE DESENFUNDABLE, para garantizar una correcta adherencia debe ser recolocado exclusivamente por personal especializado en tapicería.

Para obtener información sobre las composiciones de los tejidos, ver lado interno de la portada.

Para pedidos COM/COL ver lado interno de la portada.

Consumo módulo de esquina 25° abierto:
 COM: 2,7 ml (H. 140 cm).
 COL: 5,2 mq.

Consumo módulo de esquina 25° cerrado:
 COM: 2 ml (H. 140 cm).
 COL: 3,9 mq.

Embalajes reforzados, ver lado interno de la portada.

Código	Descripción	Base	Revestimiento											pack	m ²	Kg	
			A	B	C	D	E	F	G	H	L1	L2	L3				
29TUI16	25° de rincón abierto	Acero barnizado															
29TUI17	25° de rincón cerrada	Acero barnizado															

Opcionales

Código	Descripción	pack	m ²	Kg
29TUI16	Ignifugo	-	-	-
29TUI17	Ignifugo	-	-	-
	Cojines, ver página 121	-	-	-

