

**Choose the language**

**English**

**Italiano**

**Deutsch**

**Français**

**Español**

# SHARKY

## Wooden base

### Base finish:

Solid beech  
Solid European oak  
Walnut stained solid oak  
Lacquered solid wood (in the same colours as the polyurethane)

### Body finish:

White polyurethane (P001)  
Black polyurethane (P003)  
Beige polyurethane (P004)  
Terracotta brown polyurethane (P006)  
Olive green polyurethane (P008)  
Ruby red polyurethane (P010)  
London grey polyurethane (L011)  
Dust blue polyurethane (P012)

### Sharky cushion cover finish:

A = Valencia (synthetic leather), COM (Customer fabric)  
B = Field 2  
C = Clara 2, Merit  
D = Curmi, Patio, Remix 2  
E = Canvas 2, Hero, Melange Nap  
F = Regal, Scuba, Steelcut Trio 3  
G = Divina Melange 3, Hallingdal 65  
H = Twill Weave

### Lips cushion cover finish:

A = COM (Customer fabric)  
B = Field 2

### Note:

For info on fabric composition, see inside cover.

For COM orders see inside cover.

### FEET:

Standard in hard plastic. On request we supply feet with felt insert for wooden floors.

Sharky cushion consumption: 0,55 ml (H. 140 cm).

Lips cushion consumption: 0,5 ml (H. 140 cm).

Reinforced packaging, see inside cover.

Code	Base	Body	
		pack	m <sup>3</sup> Kg
		Polyurethane	
05SHA01	Beech		
	European oak, Walnut stained oak, Lacquered wood	1	0,38

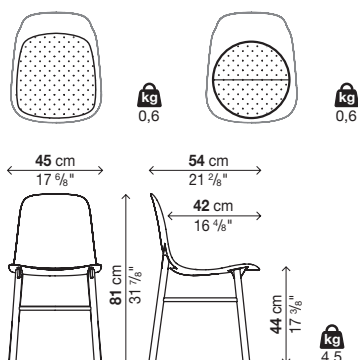
2 chairs in each package (Kg. 11,5) / 1 chair (Kg. 7)

### Optionals

Code	Description	Cover											pack	m <sup>3</sup>	Kg	
		A	B	C	D	E	F	G	H	L1	L2	L3				
20SHA01	Sharky removable cushion (not removable cover)										-	-	-	1	0,02	1
20LIR01	LIPS-R removable cushion (not removable cover)			-	-	-	-	-	-	-	-	-	-	1	0,01	1
02PIE07	Set of felt feet													-	-	-

SHARKY (20SHA01)

LIPS-R (20LIR01)



# SHARKY

## Wooden base - Front upholstered (not removable)

### Base finish:

Solid beech  
 Solid European oak  
 Walnut stained solid oak  
 Lacquered solid wood (in the same colours as the polyurethane)

### Body finish:

White polyurethane (P001)  
 Black polyurethane (P003)  
 Beige polyurethane (P004)  
 Terracotta polyurethane (P006)  
 Olive green polyurethane (P008)  
 Ruby red polyurethane (P010)  
 Londron grey polyurethane (LO11)  
 Dust blue polyurethane (P012)

### Finish of cover:

A = Valencia (synthetic leather)  
 B = Field 2, COM (Customer fabric)  
 C = Merit, COL (Customer leather)  
 D = Clara 2, Patio, Regal, Remix 2  
 E = Curmi, Hero, Melange Nap  
 F = Canvas 2, Scuba, Steelcut trio 3  
 G = Divina Melange 3, Hallingdal 65  
 H = Twill Weave  
 L1 = Coast (corrected grain leather)  
 L2 = Elmosoft (semi-aniline leather)  
 L3 = Elmotique (aniline leather)

### Note:

For info on fabric composition, see inside cover.

For COM/COL orders, see inside cover.

### FEET:

Standard in hard plastic. On request we supply feet with felt insert for wooden floors.

COM consumption: 0,4 ml (H. 140 cm).

COL consumption: 0,8 mq.

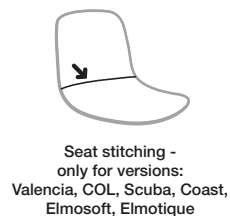
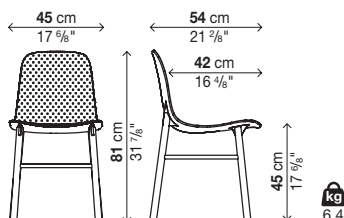
Reinforced packaging, see inside cover.

Code	Base	Body	Front cover											pack	m <sup>3</sup>	Kg		
			A	B	C	D	E	F	G	H	L1	L2	L3					
05SHA11	Beech	Polyurethane															1	0,38
	European oak, Walnut stained oak, Lacquered wood	Polyurethane																

2 chairs in each package (Kg. 15,5) / 1 chair (Kg. 9)

### Optionals

Code	Description	pack	m <sup>3</sup>	Kg
02PIE07	Set of felt feet	-	-	-



# SHARKY ALU

## Aluminium base

### Base finish:

Lacquered aluminium (in the same colours as the polyurethane)

### Body finish:

White polyurethane (P001)  
 Black polyurethane (P003)  
 Beige polyurethane (P004)  
 Terracotta brown polyurethane (P006)  
 Olive green polyurethane (P008)  
 Ruby red polyurethane (P010)  
 London grey polyurethane (L011)  
 Dust blue polyurethane (P012)

### Sharky cushion cover finish:

A = Valencia (synthetic leather), COM (Customer fabric)  
 B = Field 2  
 C = Clara 2, Merit  
 D = Curmi, Patio, Remix 2  
 E = Canvas 2, Hero, Melange Nap  
 F = Regal, Scuba, Steelcut Trio 3  
 G = Divina Melange 3, Hallingdal 65  
 H = Twill Weave

### Lips cushion cover finish:

A = COM (Customer fabric)  
 B = Field 2

### Note:

The aluminium base has nylon caps in the following colours:

- white base = white caps
- black base = black caps
- beige base = beige caps
- terracotta base = black caps
- olive green base = black caps
- ruby red base = black caps
- London grey base = black caps
- dust blue base = black caps

For info on fabric composition, see inside cover.

For COM orders see inside cover.

### FEET:

Standard in hard plastic. On request we supply feet with felt insert for wooden floors.

Sharky cushion consumption: 0,55 ml (H. 140 cm).

Lips cushion consumption: 0,5 ml (H. 140 cm).

Reinforced packaging, see inside cover.

Code	Base	Body										pack	m <sup>3</sup>	Kg
		Polyurethane												
05SHA02	Lacquered aluminium											1	0,38	

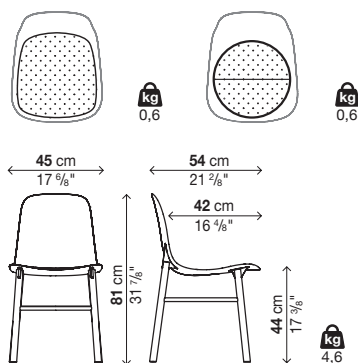
2 chairs in each package (Kg. 11,6) / 1 chair (Kg. 7,1)

### Optionals

Code	Description	Cover										pack	m <sup>3</sup>	Kg		
		A	B	C	D	E	F	G	H	L1	L2				L3	
20SHA01	Sharky removable cushion (not removable cover)										-	-	-	1	0,02	1
20LIR01	LIPS-R removable cushion (not removable cover)			-	-	-	-	-	-	-	-	-	-	1	0,01	1
02PIE10	Set of felt feet											-	-	-		

SHARKY (20SHA01)

LIPS-R (20LIR01)



# SHARKY ALU

## Aluminium base - Front upholstered (not removable)

### Base finish:

Lacquered aluminium (in the same colours as the polyurethane)

### Body finish:

White polyurethane (P001)  
 Black polyurethane (P003)  
 Beige polyurethane (P004)  
 Terracotta polyurethane (P006)  
 Olive green polyurethane (P008)  
 Ruby red polyurethane (P010)  
 Londron grey polyurethane (LO11)  
 Dust blue polyurethane (P012)

### Finish of cover:

A = Valencia (synthetic leather)  
 B = Field 2, COM (Customer fabric)  
 C = Merit, COL (Customer leather)  
 D = Clara 2, Patio, Regal, Remix 2  
 E = Curmi, Hero, Melange Nap  
 F = Canvas 2, Scuba, Steelcut trio 3  
 G = Divina Melange 3, Hallingdal 65  
 H = Twill Weave  
 L1 = Coast (corrected grain leather)  
 L2 = Elmosoft (semi-aniline leather)  
 L3 = Elmotique (aniline leather)

### Note:

The aluminium base has nylon caps in the following colours:

- white base = white caps
- black base = black caps
- beige base = beige caps
- terracotta base = black caps
- olive green base = black caps
- ruby red base = black caps
- Londron grey base = black caps
- dust blue base = black caps

For info on fabric composition, see inside cover.

For COM/COL orders, see inside cover.

### FEET:

Standard in hard plastic. On request we supply feet with felt insert for wooden floors.

COM consumption: 0,4 ml (H. 140 cm).

COL consumption: 0,8 mq.

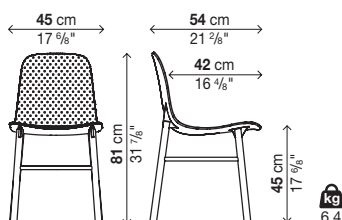
Reinforced packaging, see inside cover.

Code	Base	Body	Front cover										pack	m <sup>3</sup>	Kg		
			A	B	C	D	E	F	G	H	L1	L2				L3	
05SHA12	Lacquered aluminium	Polyurethane														1	0,38

2 chairs in each package (Kg. 15,6) / 1 chair (Kg. 9,1)

### Optionals

Code	Description	pack	m <sup>3</sup>	Kg
02PIE10	Set of felt feet	-	-	-



# SHARKY STOOL (LOW BACK)

## Wooden base

### Base finish:

Solid beech  
Solid European oak  
Walnut stained solid oak  
Lacquered solid wood (in the same colours as the polyurethane)

### Body finish:

White polyurethane (P001)  
Black polyurethane (P003)  
Beige polyurethane (P004)  
Terracotta brown polyurethane (P006)  
Olive green polyurethane (P008)  
Ruby red polyurethane (P010)  
London grey polyurethane (L011)  
Dust blue polyurethane (P012)

### Sharky cushion cover finish:

A = Valencia (synthetic leather), COM (Customer fabric)  
B = Field 2  
C = Clara 2, Merit  
D = Curmi, Patio, Remix 2  
E = Canvas 2, Hero, Melange Nap  
F = Regal, Scuba, Steelcut Trio 3  
G = Divina Melange 3, Hallingdal 65  
H = Twill Weave

### Lips cushion cover finish:

A = COM (Customer fabric)  
B = Field 2

### Note:

Attenzione: l'imballo conterrà un elemento di protezione poggiatesta in acciaio inox, applicabile a scelta.

For info on fabric composition, see inside cover.

For COM orders see inside cover.

### FEET:

Standard in hard plastic. On request we supply feet with felt insert for wooden floors.

Sharky cushion consumption: 0,55 ml (H. 140 cm).

Lips cushion consumption: 0,5 ml (H. 140 cm).

Reinforced packaging, see inside cover.

### Low stool (seat height 66 cm)

Code	Base	Body		
		pack	m <sup>3</sup>	Kg
		Polyurethane		
	Beech			
<b>05SHA05</b>	European oak, Walnut stained oak, Lacquered wood	1	0,25	8,2

1 stool in each package

### High stool (seat height 76 cm)

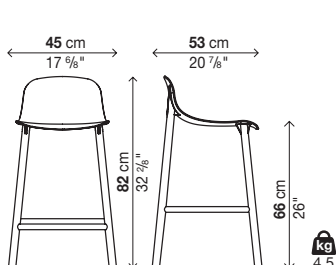
Code	Base	Body		
		pack	m <sup>3</sup>	Kg
		Polyurethane		
	Beech			
<b>05SHA06</b>	European oak, Walnut stained oak, Lacquered wood	1	0,25	8,5

1 stool in each package

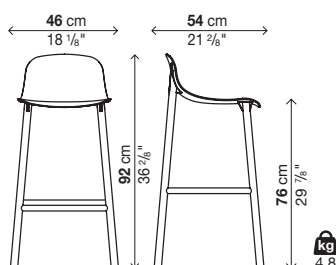
### Optionals

Code	Description	Cover										pack	m <sup>3</sup>	Kg	
		A	B	C	D	E	F	G	H	L1	L2				L3
<b>20SHA02</b>	Sharky removable cushion (not removable cover)									-	-	-	1	0,02	1
<b>20LIR01</b>	LIPS-R removable cushion (not removable cover)			-	-	-	-	-	-	-	-	-	1	0,01	1
<b>02PIE07</b>	Set of felt feet												-	-	-

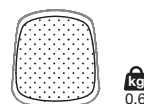
**05SHA05**



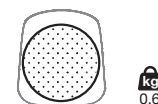
**05SHA06**



**SHARKY (20SHA02)**



**LIPS-R (20LIR01)**



# SHARKY STOOL (LOW BACK)

## Wooden base - Front upholstered (not removable)

### Base finish:

Solid beech  
Solid European oak  
Walnut stained solid oak  
Lacquered solid wood (in the same colours as the polyurethane)

### Body finish:

White polyurethane (P001)  
Black polyurethane (P003)  
Beige polyurethane (P004)  
Terracotta polyurethane (P006)  
Olive green polyurethane (P008)  
Ruby red polyurethane (P010)  
Londron grey polyurethane (LO11)  
Dust blue polyurethane (P012)

### Finish of cover:

A = Valencia (synthetic leather)  
B = Field 2, COM (Customer fabric)  
C = Merit, COL (Customer leather)  
D = Clara 2, Patio, Regal, Remix 2  
E = Curmi, Hero, Melange Nap  
F = Canvas 2, Scuba, Steelcut trio 3  
G = Divina Melange 3, Hallingdal 65  
H = Twill Weave  
L1 = Coast (corrected grain leather)  
L2 = Elmosoft (semi-aniline leather)  
L3 = Elmotique (aniline leather)

### Note:

Important: the packaging will contain a footrest protection element in stainless steel, for optional use.

For info on fabric composition, see inside cover.

For COM/COL orders, see inside cover.

### FEET:

Standard in hard plastic. On request we supply feet with felt insert for wooden floors.

COM consumption: 0,3 ml (H. 140 cm).

COL consumption: 0,6 mq.

Reinforced packaging, see inside cover.

### Low stool (seat height 66 cm)

Code	Base	Body	Front cover											pack	m <sup>3</sup>	Kg			
			A	B	C	D	E	F	G	H	L1	L2	L3						
05SHA15	Beech	Polyurethane															1	0,25	9,7
	European oak, Walnut stained oak, Lacquered wood	Polyurethane																	

1 stool in each package

### High stool (seat height 76 cm)

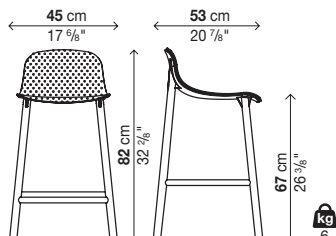
Code	Base	Body	Front cover											pack	m <sup>3</sup>	Kg			
			A	B	C	D	E	F	G	H	L1	L2	L3						
05SHA16	Beech	Polyurethane															1	0,25	10
	European oak, Walnut stained oak, Lacquered wood	Polyurethane																	

1 stool in each package

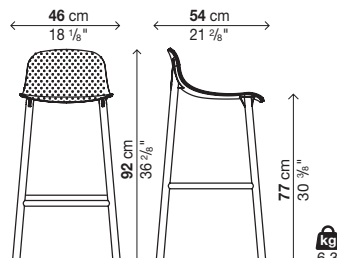
### Optionals

Code	Description	pack	m <sup>3</sup>	Kg
02PIE07	Set of felt feet	-	-	-

05SHA15



05SHA16



Seat stitching -  
only for versions:  
Valencia, COL, Scuba, Coast,  
Elmosoft, Elmotique

# SHARKY ALU STOOL (LOW BACK)

## Aluminium base

### Base finish:

Lacquered aluminium (in the same colours as the polyurethane)

### Body finish:

White polyurethane (P001)  
 Black polyurethane (P003)  
 Beige polyurethane (P004)  
 Terracotta brown polyurethane (P006)  
 Olive green polyurethane (P008)  
 Ruby red polyurethane (P010)  
 London grey polyurethane (L011)  
 Dust blue polyurethane (P012)

### Sharky cushion cover finish:

A = Valencia (synthetic leather), COM (Customer fabric)  
 B = Field 2  
 C = Clara 2, Merit  
 D = Curmi, Patio, Remix 2  
 E = Canvas 2, Hero, Melange Nap  
 F = Regal, Scuba, Steelcut Trio 3  
 G = Divina Melange 3, Hallingdal 65  
 H = Twill Weave

### Lips cushion cover finish:

A = COM (Customer fabric)  
 B = Field 2

### Note:

The aluminium base has nylon caps in the following colours:

- white base = white caps
- black base = black caps
- beige base = beige caps
- terracotta base = black caps
- olive green base = black caps
- ruby red base = black caps
- London grey base = black caps
- dust blue base = black caps

Important: the packaging will contain a footrest protection element in stainless steel, for optional use.

For info on fabric composition, see inside cover.

For COM orders see inside cover.

### FEET:

Standard in hard plastic. On request we supply feet with felt insert for wooden floors.

Sharky cushion consumption: 0,55 ml (H. 140 cm).

Lips cushion consumption: 0,5 ml (H. 140 cm).

Reinforced packaging, see inside cover.

### Low stool (seat height 66 cm)

Code	Base	Body		
		pack	m <sup>3</sup>	Kg
		Polyurethane		
<b>05SHA20</b>	Lacquered aluminium	1	0,25	6,3

1 stool in each package

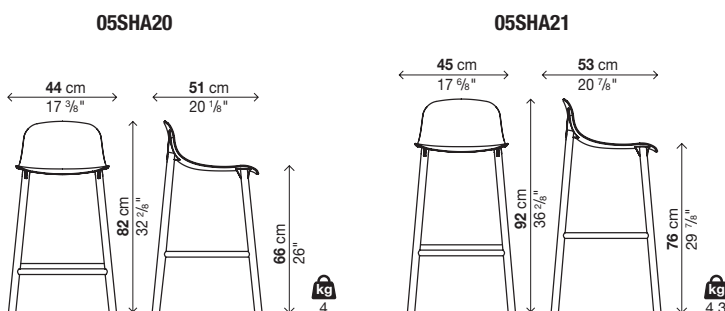
### High stool (seat height 76 cm)

Code	Base	Body		
		pack	m <sup>3</sup>	Kg
		Polyurethane		
<b>05SHA21</b>	Lacquered aluminium	1	0,25	7

1 stool in each package

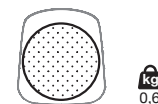
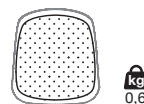
### Optionals

Code	Description	Cover											pack	m <sup>3</sup>	Kg
		A	B	C	D	E	F	G	H	L1	L2	L3			
<b>20SHA02</b>	Sharky removable cushion (not removable cover)									-	-	-	1	0,02	1
<b>20LIR01</b>	LIPS-R removable cushion (not removable cover)			-	-	-	-	-	-	-	-	-	1	0,01	1
<b>02PIE10</b>	Set of felt feet												-	-	-



SHARKY (20SHA02)

LIPS-R (20LIR01)





# SHARKY ALU STOOL (LOW BACK)

## Aluminium base - Front upholstered (not removable)

### Base finish:

Lacquered aluminium (in the same colours as the polyurethane)

### Body finish:

White polyurethane (P001)  
 Black polyurethane (P003)  
 Beige polyurethane (P004)  
 Terracotta polyurethane (P006)  
 Olive green polyurethane (P008)  
 Ruby red polyurethane (P010)  
 London grey polyurethane (LO11)  
 Dust blue polyurethane (P012)

### Finish of cover:

A = Valencia (synthetic leather)  
 B = Field 2, COM (Customer fabric)  
 C = Merit, COL (Customer leather)  
 D = Clara 2, Patio, Regal, Remix 2  
 E = Curmi, Hero, Melange Nap  
 F = Canvas 2, Scuba, Steelcut trio 3  
 G = Divina Melange 3, Hallingdal 65  
 H = Twill Weave  
 L1 = Coast (corrected grain leather)  
 L2 = Elmosoft (semi-aniline leather)  
 L3 = Elmotique (aniline leather)

### Note:

The aluminium base has nylon caps in the following colours:

- white base = white caps
- black base = black caps
- beige base = beige caps
- terracotta base = black caps
- olive green base = black caps
- ruby red base = black caps
- London grey base = black caps
- dust blue base = black caps

Important: the packaging will contain a footrest protection element in stainless steel, for optional use.

For info on fabric composition, see inside cover.

For COM/COL orders, see inside cover.

### FEET:

Standard in hard plastic. On request we supply feet with felt insert for wooden floors.

COM consumption: 0,3 ml (H. 140 cm).

COL consumption: 0,6 mq.

Reinforced packaging, see inside cover.

### Low stool (seat height 66 cm)

Code	Base	Body	Front cover										pack	m <sup>3</sup>	Kg			
			A	B	C	D	E	F	G	H	L1	L2				L3		
05SHA30	Lacquered aluminium	Polyurethane														1	0,25	7,8

1 stool in each package

### High stool (seat height 76 cm)

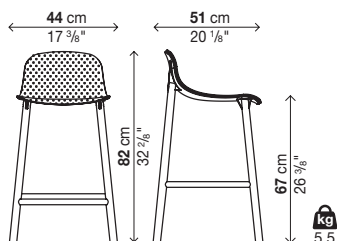
Code	Base	Body	Front cover										pack	m <sup>3</sup>	Kg			
			A	B	C	D	E	F	G	H	L1	L2				L3		
05SHA31	Lacquered aluminium	Polyurethane														1	0,25	8,1

1 stool in each package

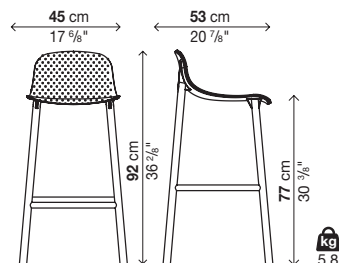
### Optionals

Code	Description	pack	m <sup>3</sup>	Kg
02PIE10	Set of felt feet	-	-	-

05SHA30



05SHA31



Seat stitching - only for versions: Valencia, COL, Scuba, Coast, Elmosoft, Elmotique

# SHARKY STOOL (HIGH BACK)

## Wooden base

### Base finish:

Solid beech  
Solid European oak  
Walnut stained solid oak  
Lacquered solid wood (in the same colours as the polyurethane)

### Body finish:

White polyurethane (P001)  
Black polyurethane (P003)  
Beige polyurethane (P004)  
Terracotta brown polyurethane (P006)  
Olive green polyurethane (P008)  
Ruby red polyurethane (P010)  
London grey polyurethane (L011)  
Dust blue polyurethane (P012)

### Sharky cushion cover finish:

A = Valencia (synthetic leather), COM (Customer fabric)  
B = Field 2  
C = Clara 2, Merit  
D = Curmi, Patio, Remix 2  
E = Canvas 2, Hero, Melange Nap  
F = Regal, Scuba, Steelcut Trio 3  
G = Divina Melange 3, Hallingdal 65  
H = Twill Weave

### Lips cushion cover finish:

A = COM (Customer fabric)  
B = Field 2

### Note:

Attenzione: l'imballo conterrà un elemento di protezione poggiatesta in acciaio inox, applicabile a scelta.

For info on fabric composition, see inside cover.

For COM orders see inside cover.

### FEET:

Standard in hard plastic. On request we supply feet with felt insert for wooden floors.

Sharky cushion consumption: 0,55 ml (H. 140 cm).

Lips cushion consumption: 0,5 ml (H. 140 cm).

Reinforced packaging, see inside cover.

### Low stool (seat height 66 cm)

Code	Base	Body		pack	m <sup>3</sup>	Kg
			Polyurethane			
05SHA03	Beech			1	0,35	9,2
	European oak, Walnut stained oak, Lacquered wood					

1 stool in each package

### High stool (seat height 76 cm)

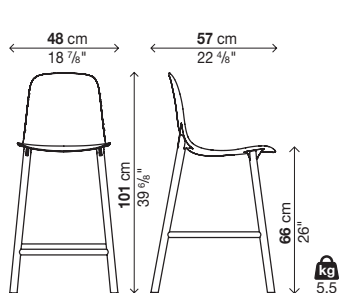
Code	Base	Body		pack	m <sup>3</sup>	Kg
			Polyurethane			
05SHA04	Beech			1	0,25	9,5
	European oak, Walnut stained oak, Lacquered wood					

1 stool in each package

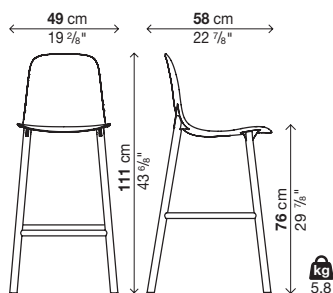
### Optionals

Code	Description	Cover										pack	m <sup>3</sup>	Kg	
		A	B	C	D	E	F	G	H	L1	L2				L3
20SHA02	Sharky removable cushion (not removable cover)									-	-	-	1	0,02	1
20LIR01	LIPS-R removable cushion (not removable cover)			-	-	-	-	-	-	-	-	-	1	0,01	1
02PIE07	Set of felt feet												-	-	-

05SHA03



05SHA04

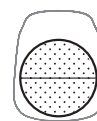


SHARKY (20SHA01)



kg  
0,6

LIPS-R (20LIR01)



kg  
0,6

# SHARKY STOOL (HIGH BACK)

## Wooden base - Front upholstered (not removable)

### Base finish:

Solid beech  
Solid European oak  
Walnut stained solid oak  
Lacquered solid wood (in the same colours as the polyurethane)

### Body finish:

White polyurethane (P001)  
Black polyurethane (P003)  
Beige polyurethane (P004)  
Terracotta polyurethane (P006)  
Olive green polyurethane (P008)  
Ruby red polyurethane (P010)  
Londron grey polyurethane (LO11)  
Dust blue polyurethane (P012)

### Finish of cover:

A = Valencia (synthetic leather)  
B = Field 2, COM (Customer fabric)  
C = Merit, COL (Customer leather)  
D = Clara 2, Patio, Regal, Remix 2  
E = Curmi, Hero, Melange Nap  
F = Canvas 2, Scuba, Steelcut trio 3  
G = Divina Melange 3, Hallingdal 65  
H = Twill Weave  
L1 = Coast (corrected grain leather)  
L2 = Elmosoft (semi-aniline leather)  
L3 = Elmotique (aniline leather)

### Note:

Important: the packaging will contain a footrest protection element in stainless steel, for optional use.

For info on fabric composition, see inside cover.

For COM/COL orders, see inside cover.

### FEET:

Standard in hard plastic. On request we supply feet with felt insert for wooden floors.

COM consumption: 0,4 ml (H. 140 cm).

COL consumption: 0,8 mq.

Reinforced packaging, see inside cover.

### Low stool (seat height 66 cm)

Code	Base	Body	Front cover											pack	m <sup>3</sup>	Kg			
			A	B	C	D	E	F	G	H	L1	L2	L3						
05SHA13	Beech	Polyurethane															1	0,35	11,1
	European oak, Walnut stained oak, Lacquered wood	Polyurethane																	

1 stool in each package

### High stool (seat height 76 cm)

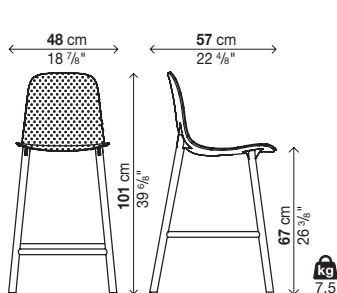
Code	Base	Body	Front cover											pack	m <sup>3</sup>	Kg			
			A	B	C	D	E	F	G	H	L1	L2	L3						
05SHA14	Beech	Polyurethane															1	0,35	11,4
	European oak, Walnut stained oak, Lacquered wood	Polyurethane																	

1 stool in each package

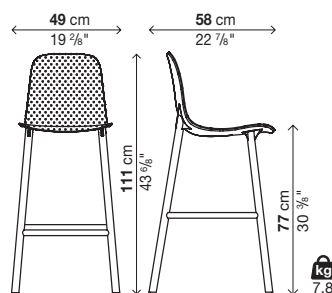
### Optionals

Code	Description	pack	m <sup>3</sup>	Kg
02PIE07	Set of felt feet	-	-	-

05SHA13



05SHA14



Seat stitching -  
only for versions:  
Valencia, COL, Scuba, Coast,  
Elmosoft, Elmotique

# SHARKY ALU STOOL (HIGH BACK)

## Aluminium base

### Base finish:

Lacquered aluminium (in the same colours as the polyurethane)

### Body finish:

White polyurethane (P001)  
 Black polyurethane (P003)  
 Beige polyurethane (P004)  
 Terracotta brown polyurethane (P006)  
 Olive green polyurethane (P008)  
 Ruby red polyurethane (P010)  
 London grey polyurethane (L011)  
 Dust blue polyurethane (P012)

### Sharky cushion cover finish:

A = Valencia (synthetic leather), COM (Customer fabric)  
 B = Field 2  
 C = Clara 2, Merit  
 D = Curmi, Patio, Remix 2  
 E = Canvas 2, Hero, Melange Nap  
 F = Regal, Scuba, Steelcut Trio 3  
 G = Divina Melange 3, Hallingdal 65  
 H = Twill Weave

### Lips cushion cover finish:

A = COM (Customer fabric)  
 B = Field 2

### Note:

The aluminium base has nylon caps in the following colours:

- white base = white caps
- black base = black caps
- beige base = beige caps
- terracotta base = black caps
- olive green base = black caps
- ruby red base = black caps
- London grey base = black caps
- dust blue base = black caps

Important: the packaging will contain a footrest protection element in stainless steel, for optional use.

For info on fabric composition, see inside cover.

For COM orders see inside cover.

### FEET:

Standard in hard plastic. On request we supply feet with felt insert for wooden floors.

Sharky cushion consumption: 0,55 ml (H. 140 cm).

Lips cushion consumption: 0,5 ml (H. 140 cm).

Reinforced packaging, see inside cover.

### Low stool (seat height 66 cm)

Code	Base	Body		
		pack	m <sup>2</sup>	Kg
		Polyurethane		
<b>05SHA08</b>	Lacquered aluminium	1	0,35	6,3

1 stool in each package

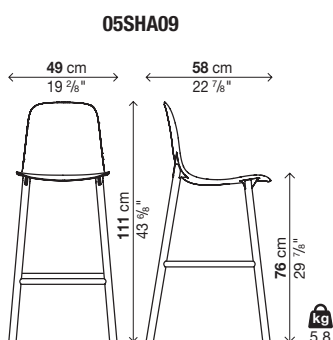
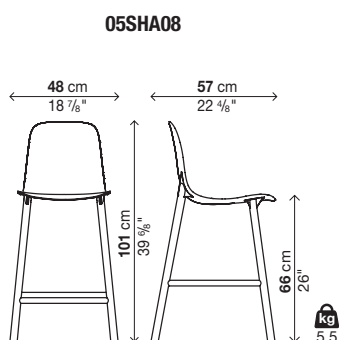
### High stool (seat height 76 cm)

Code	Base	Body		
		pack	m <sup>2</sup>	Kg
		Polyurethane		
<b>05SHA09</b>	Lacquered aluminium	1	0,4	7

1 stool in each package

### Optionals

Code	Description	Cover										pack	m <sup>2</sup>	Kg	
		A	B	C	D	E	F	G	H	L1	L2				L3
<b>20SHA02</b>	Sharky removable cushion (not removable cover)									-	-	-	1	0,02	1
<b>20LIR01</b>	LIPS-R removable cushion (not removable cover)			-	-	-	-	-	-	-	-	-	1	0,01	1
<b>02PIE10</b>	Set of felt feet												-	-	-

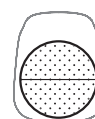


SHARKY (20SHA01)



kg  
0,6

LIPS-R (20LIR01)



kg  
0,6

# SHARKY ALU STOOL (HIGH BACK)

## Aluminium base - Front upholstered (not removable)

### Base finish:

Lacquered aluminium (in the same colours as the polyurethane)

### Body finish:

White polyurethane (P001)  
 Black polyurethane (P003)  
 Beige polyurethane (P004)  
 Terracotta polyurethane (P006)  
 Olive green polyurethane (P008)  
 Ruby red polyurethane (P010)  
 London grey polyurethane (LO11)  
 Dust blue polyurethane (P012)

### Finish of cover:

A = Valencia (synthetic leather)  
 B = Field 2, COM (Customer fabric)  
 C = Merit, COL (Customer leather)  
 D = Clara 2, Patio, Regal, Remix 2  
 E = Curmi, Hero, Melange Nap  
 F = Canvas 2, Scuba, Steelcut trio 3  
 G = Divina Melange 3, Hallingdal 65  
 H = Twill Weave  
 L1 = Coast (corrected grain leather)  
 L2 = Elmosoft (semi-aniline leather)  
 L3 = Elmotique (aniline leather)

### Note:

The aluminium base has nylon caps in the following colours:

- white base = white caps
- black base = black caps
- beige base = beige caps
- terracotta base = black caps
- olive green base = black caps
- ruby red base = black caps
- London grey base = black caps
- dust blue base = black caps

Important: the packaging will contain a footrest protection element in stainless steel, for optional use.

For info on fabric composition, see inside cover.

For COM/COL orders, see inside cover.

### FEET:

Standard in hard plastic. On request we supply feet with felt insert for wooden floors.

COM consumption: 0,4 ml (H. 140 cm).

COL consumption: 0,8 mq.

Reinforced packaging, see inside cover.

### Low stool (seat height 66 cm)

Code	Base	Body	Front cover										pack	m <sup>3</sup>	Kg			
			A	B	C	D	E	F	G	H	L1	L2				L3		
05SHA18	Lacquered aluminium	Polyurethane														1	0,35	7,8

1 stool in each package

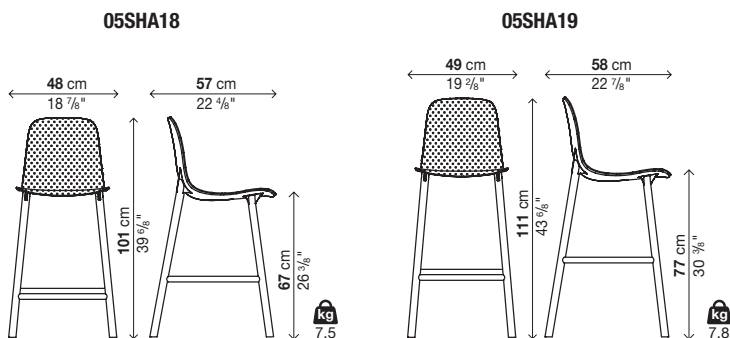
### High stool (seat height 76 cm)

Code	Base	Body	Front cover										pack	m <sup>3</sup>	Kg			
			A	B	C	D	E	F	G	H	L1	L2				L3		
05SHA19	Lacquered aluminium	Polyurethane														1	0,4	8,1

1 stool in each package

### Optionals

Code	Description	pack	m <sup>3</sup>	Kg
02PIE10	Set of felt feet	-	-	-



# SHARKY

## Base legno

### Finitura base:

Legno massello di faggio  
 Legno massello di rovere europeo  
 Legno massello di rovere tinto noce  
 Legno massello verniciato (nei colori del poliuretano)

### Finitura scocca:

Poliuretano bianco (P001)  
 Poliuretano nero (P003)  
 Poliuretano beige (P004)  
 Poliuretano terracotta (P006)  
 Poliuretano verde oliva (P008)  
 Poliuretano rosso rubino (P010)  
 Poliuretano grigio Londra (LO11)  
 Poliuretano blu polvere (P012)

### Finitura rivestimento cuscino Sharky:

A = Valencia (pelle sintetica), COM (tessuto Cliente)  
 B = Field 2  
 C = Clara 2, Merit  
 D = Curmi, Patio, Remix 2  
 E = Canvas 2, Hero, Melange Nap  
 F = Regal, Scuba, Steelcut Trio 3  
 G = Divina Melange 3, Hallingdal 65  
 H = Twill Weave

### Finitura rivestimento cuscino Lips:

A = COM (tessuto Cliente)  
 B = Field 2

### Note:

Per informazioni su composizioni tessuti vedi interno di copertina.

Per ordini COM vedi interno di copertina.

### PIEDINI:

Di serie in plastica dura. Su richiesta vengono forniti piedini con inserto in feltro per pavimenti in legno.

Consumo cuscino Sharky: 0,55 ml (H. 140 cm).

Consumo cuscino Lips: 0,5 ml (H. 140 cm).

Imballi rinforzati vedi interno di copertina.

Codice	Base	Scocca	
		colli	m <sup>3</sup> Kg
		Poliuretano	
<b>05SHA01</b>	Faggio	1	0,38
	Rovere europeo, Rovere tinto noce, Legno verniciato		

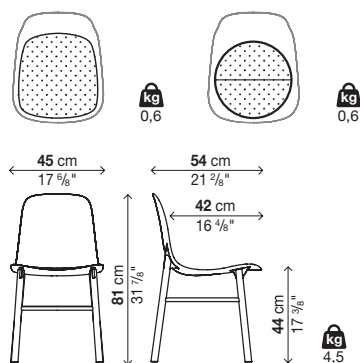
ogni collo contiene 2 sedie (Kg. 11,5) / 1 sedia (Kg. 7)

### Optionals

Codice	Descrizione	Rivestimento										colli	m <sup>3</sup>	Kg		
		A	B	C	D	E	F	G	H	L1	L2				L3	
<b>20SHA01</b>	Cuscino rimovibile Sharky (non sfoderabile)										-	-	-	1	0,02	1
<b>20LIR01</b>	Cuscino rimovibile LIPS-R (non sfoderabile)			-	-	-	-	-	-	-	-	-	-	1	0,01	1
<b>02PIE07</b>	Set di piedini in feltro													-	-	-

SHARKY (20SHA01)

LIPS-R (20LIR01)



# SHARKY

## Base legno - Rivestimento frontale (non sfoderabile)

### Finitura base:

Legno massello di faggio  
 Legno massello di rovere europeo  
 Legno massello di rovere tinto noce  
 Legno massello verniciato (nei colori del poliuretano)

### Finitura scocca:

Poliuretano bianco (P001)  
 Poliuretano nero (P003)  
 Poliuretano beige (P004)  
 Poliuretano terracotta (P006)  
 Poliuretano verde oliva (P008)  
 Poliuretano rosso rubino (P010)  
 Poliuretano grigio Londra (LO11)  
 Poliuretano blu polvere (P012)

### Finitura rivestimento:

A = Valencia (pelle sintetica)  
 B = Field 2, COM (tessuto Cliente)  
 C = Merit, COL (pelle Cliente)  
 D = Clara 2, Patio, Regal, Remix 2  
 E = Curmi, Hero, Melange Nap  
 F = Canvas 2, Scuba, Steelcut Trio 3  
 G = Divina Melange 3, Hallingdal 65  
 H = Twill Weave  
 L1 = Coast (pelle fiore corretto)  
 L2 = Elmosoft (pelle semi-anilina)  
 L3 = Elmotique (pelle anilina)

### Note:

Per informazioni su composizioni tessuti vedi interno di copertina.

Per ordini COM/COL vedi interno di copertina.

### PIEDINI:

Di serie in plastica dura. Su richiesta vengono forniti piedini con inserto in feltro per pavimenti in legno.

Consumo COM: 0,4 ml (H. 140 cm).

Consumo COL: 0,8 mq.

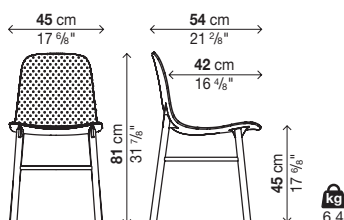
Imballi rinforzati vedi interno di copertina.

Codice	Base	Scocca	Rivestimento frontale											colli	m <sup>3</sup>	Kg		
			A	B	C	D	E	F	G	H	L1	L2	L3					
05SHA11	Faggio	Poliuretano															1	0,38
	Rovere europeo, Rovere tinto noce, Legno verniciato	Poliuretano																

ogni collo contiene 2 sedie (Kg. 15,5) / 1 sedia (Kg. 9)

### Optionals

Codice	Descrizione	colli	m <sup>3</sup>	Kg
02PIE07	Set di piedini in feltro	-	-	-



# SHARKY ALU

## Base alluminio

### Finitura base:

Alluminio verniciato (nei colori del poliuretano)

### Finitura scocca:

Poliuretano bianco (P001)  
 Poliuretano nero (P003)  
 Poliuretano beige (P004)  
 Poliuretano terracotta (P006)  
 Poliuretano verde oliva (P008)  
 Poliuretano rosso rubino (P010)  
 Poliuretano grigio Londra (LO11)  
 Poliuretano blu polvere (PO12)

### Finitura rivestimento cuscino Sharky:

A = Valencia (pelle sintetica), COM (tessuto Cliente)  
 B = Field 2  
 C = Clara 2, Merit  
 D = Curmi, Patio, Remix 2  
 E = Canvas 2, Hero, Melange Nap  
 F = Regal, Scuba, Steelcut Trio 3  
 G = Divina Melange 3, Hallingdal 65  
 H = Twill Weave

### Finitura rivestimento cuscino Lips:

A = COM (tessuto Cliente)  
 B = Field 2

### Note:

La base in alluminio presenta dei tappi in nylon nei seguenti colori:

- base bianca = tappi bianchi
- base nera = tappi neri
- base beige = tappi beige
- base terracotta = tappi neri
- base verde oliva = tappi neri
- base rosso rubino = tappi neri
- base grigio Londra = tappi neri
- base blu polvere = tappi neri

Per informazioni su composizioni tessuti vedi interno di copertina.

Per ordini COM vedi interno di copertina.

### PIEDINI:

Di serie in plastica dura. Su richiesta vengono forniti piedini con inserto in feltro per pavimenti in legno.

Consumo cuscino Sharky: 0,55 ml (H. 140 cm).

Consumo cuscino Lips: 0,5 ml (H. 140 cm).

Imballi rinforzati vedi interno di copertina.

Codice	Base	Scocca		
		colli	m <sup>3</sup>	Kg
		Poliuretano		
<b>05SHA02</b>	Alluminio verniciato	1	0,38	

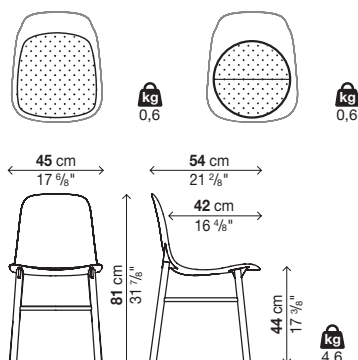
ogni collo contiene 2 sedie (Kg. 11,6) / 1 sedia (Kg. 7,1)

### Optionals

Codice	Descrizione	Rivestimento										colli	m <sup>3</sup>	Kg		
		A	B	C	D	E	F	G	H	L1	L2				L3	
<b>20SHA01</b>	Cuscino rimovibile Sharky (non sfoderabile)										-	-	-	1	0,02	1
<b>20LIR01</b>	Cuscino rimovibile LIPS-R (non sfoderabile)			-	-	-	-	-	-	-	-	-	-	1	0,01	1
<b>02PIE10</b>	Set di piedini in feltro													-	-	-

SHARKY (20SHA01)

LIPS-R (20LIR01)





# SHARKY ALU

## Base alluminio - Rivestimento frontale (non sfoderabile)

### Finitura base:

Alluminio verniciato (nei colori del poliuretano)

### Finitura scocca:

Poliuretano bianco (P001)  
 Poliuretano nero (P003)  
 Poliuretano beige (P004)  
 Poliuretano terracotta (P006)  
 Poliuretano verde oliva (P008)  
 Poliuretano rosso rubino (P010)  
 Poliuretano grigio Londra (L011)  
 Poliuretano blu polvere (P012)

### Finitura rivestimento:

A = Valencia (pelle sintetica)  
 B = Field 2, COM (tessuto Cliente)  
 C = Merit, COL (pelle Cliente)  
 D = Clara 2, Patio, Regal, Remix 2  
 E = Curmi, Hero, Melange Nap  
 F = Canvas 2, Scuba, Steelcut Trio 3  
 G = Divina Melange 3, Hallingdal 65  
 H = Twill Weave  
 L1 = Coast (pelle fiore corretto)  
 L2 = Elmosoft (pelle semi-anilina)  
 L3 = Elmotique (pelle anilina)

### Note:

La base in alluminio presenta dei tappi in nylon nei seguenti colori:

- base bianca = tappi bianchi
- base nera = tappi neri
- base beige = tappi beige
- base terracotta = tappi neri
- base verde oliva = tappi neri
- base rosso rubino = tappi neri
- base grigio Londra = tappi neri
- base blu polvere = tappi neri

Per informazioni su composizioni tessuti vedi interno di copertina.

Per ordini COM/COL vedi interno di copertina.

### PIEDINI:

Di serie in plastica dura. Su richiesta vengono forniti piedini con inserto in feltro per pavimenti in legno.

Consumo COM: 0,4 ml (H. 140 cm).

Consumo COL: 0,8 mq.

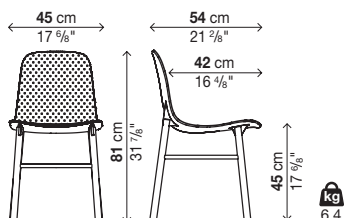
Imballi rinforzati vedi interno di copertina.

Codice	Base	Scocca	Rivestimento frontale										colli m <sup>3</sup> Kg				
			A	B	C	D	E	F	G	H	L1	L2	L3				
05SHA12	Alluminio verniciato	Poliuretano														1	0,38

ogni collo contiene 2 sedie (Kg. 15,6) / 1 sedia (Kg. 9,1)

### Optionals

Codice	Descrizione	colli m <sup>3</sup> Kg
02PIE10	Set di piedini in feltro	- - -



# SHARKY SGABELLO (SCHIENALE BASSO)

## Base legno

### Finitura base:

Legno massello di faggio  
 Legno massello di rovere europeo  
 Legno massello di rovere tinto noce  
 Legno massello verniciato (nei colori del poliuretano)

### Finitura scocca:

Poliuretano bianco (P001)  
 Poliuretano nero (P003)  
 Poliuretano beige (P004)  
 Poliuretano terracotta (P006)  
 Poliuretano verde oliva (P008)  
 Poliuretano rosso rubino (P010)  
 Poliuretano grigio Londra (LO11)  
 Poliuretano blu polvere (P012)

### Finitura rivestimento cuscino Sharky:

A = Valencia (pelle sintetica), COM (tessuto Cliente)  
 B = Field 2  
 C = Clara 2, Merit  
 D = Curmi, Patio, Remix 2  
 E = Canvas 2, Hero, Melange Nap  
 F = Regal, Scuba, Steelcut Trio 3  
 G = Divina Melange 3, Hallingdal 65  
 H = Twill Weave

### Finitura rivestimento cuscino Lips:

A = COM (tessuto Cliente)  
 B = Field 2

### Note:

Attenzione: l'imballo conterrà un elemento di protezione poggiatesta in acciaio inox, applicabile a scelta.

Per informazioni su composizioni tessuti vedi interno di copertina.

Per ordini COM vedi interno di copertina.

### PIEDINI:

Di serie in plastica dura. Su richiesta vengono forniti piedini con inserto in feltro per pavimenti in legno.

Consumo cuscino Sharky: 0,55 ml (H. 140 cm).

Consumo cuscino Lips: 0,5 ml (H. 140 cm).

Imballi rinforzati vedi interno di copertina.

### Sgabello basso (altezza seduta 66 cm)

Codice	Base	Scocca		
		colli	m <sup>3</sup>	Kg
		Poliuretano		
	Faggio			
<b>05SHA05</b>	Rovere europeo, Rovere tinto noce, Legno verniciato	1	0,25	8,2

ogni collo contiene 1 sgabello

### Sgabello alto (altezza seduta 76 cm)

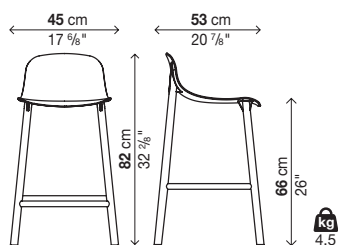
Codice	Base	Scocca		
		colli	m <sup>3</sup>	Kg
		Poliuretano		
	Faggio			
<b>05SHA06</b>	Rovere europeo, Rovere tinto noce, Legno verniciato	1	0,25	8,5

ogni collo contiene 1 sgabello

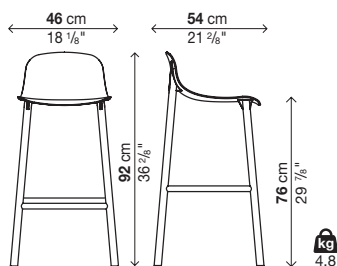
### Optionals

Codice	Descrizione	Rivestimento										colli	m <sup>3</sup>	Kg	
		A	B	C	D	E	F	G	H	L1	L2				L3
<b>20SHA02</b>	Cuscino rimovibile Sharky (non sfoderabile)									-	-	-	1	0,02	1
<b>20LIR01</b>	Cuscino rimovibile LIPS-R (non sfoderabile)			-	-	-	-	-	-	-	-	-	1	0,01	1
<b>02PIE07</b>	Set di piedini in feltro												-	-	-

**05SHA05**



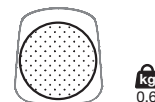
**05SHA06**



**SHARKY (20SHA02)**



**LIPS-R (20LIR01)**



# SHARKY SGABELLO (SCHIENALE BASSO)

## Base legno - Rivestimento frontale (non sfoderabile)

### Finitura base:

Legno massello di faggio  
 Legno massello di rovere europeo  
 Legno massello di rovere tinto noce  
 Legno massello verniciato (nei colori del poliuretano)

### Finitura scocca:

Poliuretano bianco (P001)  
 Poliuretano nero (P003)  
 Poliuretano beige (P004)  
 Poliuretano terracotta (P006)  
 Poliuretano verde oliva (P008)  
 Poliuretano rosso rubino (P010)  
 Poliuretano grigio Londra (LO11)  
 Poliuretano blu polvere (P012)

### Finitura rivestimento:

A = Valencia (pelle sintetica)  
 B = Field 2, COM (tessuto Cliente)  
 C = Merit, COL (pelle Cliente)  
 D = Clara 2, Patio, Regal, Remix 2  
 E = Curmi, Hero, Melange Nap  
 F = Canvas 2, Scuba, Steelcut Trio 3  
 G = Divina Melange 3, Hallingdal 65  
 H = Twill Weave  
 L1 = Coast (pelle fiore corretto)  
 L2 = Elmosoft (pelle semi-anilina)  
 L3 = Elmotique (pelle anilina)

### Note:

Attenzione: l'imballo conterrà un elemento di protezione poggiatesta in acciaio inox, applicabile a scelta.

Per informazioni su composizioni tessuti vedi interno di copertina.

Per ordini COM/COL vedi interno di copertina.

### PIEDINI:

Di serie in plastica dura. Su richiesta vengono forniti piedini con inserto in feltro per pavimenti in legno.

Consumo COM: 0,3 ml (H. 140 cm).

Consumo COL: 0,6 mq.

Imballi rinforzati vedi interno di copertina.

### Sgabello basso (altezza seduta 66 cm)

Codice	Base	Scocca	Rivestimento frontale											colli	m <sup>3</sup>	Kg			
			A	B	C	D	E	F	G	H	L1	L2	L3						
05SHA15	Faggio	Poliuretano															1	0,25	9,7
	Rovere europeo, Rovere tinto noce, Legno verniciato	Poliuretano																	

ogni collo contiene 1 sgabello

### Sgabello alto (altezza seduta 76 cm)

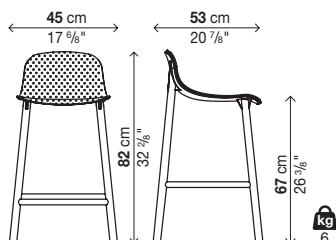
Codice	Base	Scocca	Rivestimento frontale											colli	m <sup>3</sup>	Kg			
			A	B	C	D	E	F	G	H	L1	L2	L3						
05SHA16	Faggio	Poliuretano															1	0,25	10
	Rovere europeo, Rovere tinto noce, Legno verniciato	Poliuretano																	

ogni collo contiene 1 sgabello

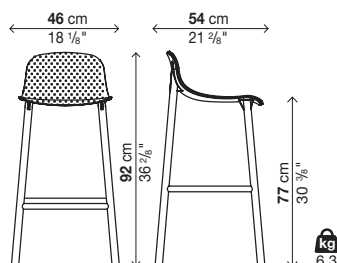
### Optionals

Codice	Descrizione	colli	m <sup>3</sup>	Kg
02PIE07	Set di piedini in feltro	-	-	-

05SHA15



05SHA16



Seat stitching -  
 only for versions:  
 Valencia, COL, Scuba, Coast,  
 Elmosoft, Elmotique

# SHARKY ALU SGABELLO (SCHIENALE BASSO)

## Base alluminio

### Finitura base:

Alluminio verniciato (nei colori del poliuretano)

### Finitura scocca:

Poliuretano bianco (P001)  
 Poliuretano nero (P003)  
 Poliuretano beige (P004)  
 Poliuretano terracotta (P006)  
 Poliuretano verde oliva (P008)  
 Poliuretano rosso rubino (P010)  
 Poliuretano grigio Londra (LO11)  
 Poliuretano blu polvere (P012)

### Finitura rivestimento cuscino Sharky:

A = Valencia (pelle sintetica), COM (tessuto Cliente)  
 B = Field 2  
 C = Clara 2, Merit  
 D = Curmi, Patio, Remix 2  
 E = Canvas 2, Hero, Melange Nap  
 F = Regal, Scuba, Steelcut Trio 3  
 G = Divina Melange 3, Hallingdal 65  
 H = Twill Weave

### Finitura rivestimento cuscino Lips:

A = COM (tessuto Cliente)  
 B = Field 2

### Note:

La base in alluminio presenta dei tappi in nylon nei seguenti colori:

- base bianca = tappi bianchi
- base nera = tappi neri
- base beige = tappi beige
- base terracotta = tappi neri
- base verde oliva = tappi neri
- base rosso rubino = tappi neri
- base grigio Londra = tappi neri
- base blu polvere = tappi neri

Attenzione: l'imballo conterrà un elemento di protezione poggiatesta in acciaio inox, applicabile a scelta.

Per informazioni su composizioni tessuti vedi interno di copertina.

Per ordini COM vedi interno di copertina.

### PIEDINI:

Di serie in plastica dura. Su richiesta vengono forniti piedini con inserto in feltro per pavimenti in legno.

Consumo cuscino Sharky: 0,55 ml (H. 140 cm).

Consumo cuscino Lips: 0,5 ml (H. 140 cm).

Imballi rinforzati vedi interno di copertina.

### Sgabello basso (altezza seduta 66 cm)

Codice	Base	Scocca	
		colli	m <sup>3</sup> Kg
		Poliuretano	
<b>05SHA20</b>	Alluminio verniciato	1	0,25 6,3

ogni collo contiene 1 sgabello

### Sgabello alto (altezza seduta 76 cm)

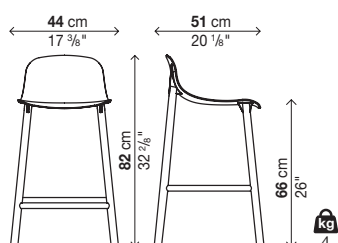
Codice	Base	Scocca	
		colli	m <sup>3</sup> Kg
		Poliuretano	
<b>05SHA21</b>	Alluminio verniciato	1	0,25 7

ogni collo contiene 1 sgabello

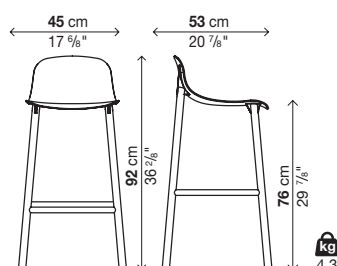
### Optionals

Codice	Descrizione	Rivestimento											colli	m <sup>3</sup>	Kg
		A	B	C	D	E	F	G	H	L1	L2	L3			
<b>20SHA02</b>	Cuscino rimovibile Sharky (non sfoderabile)									-	-	-	1	0,02	1
<b>20LIR01</b>	Cuscino rimovibile LIPS-R (non sfoderabile)			-	-	-	-	-	-	-	-	-	1	0,01	1
<b>02PIE10</b>	Set di piedini in feltro												-	-	-

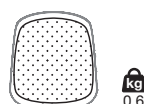
**05SHA20**



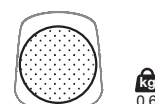
**05SHA21**



**SHARKY (20SHA02)**



**LIPS-R (20LIR01)**



# SHARKY ALU SGABELLO (SCHIENALE BASSO)

## Base alluminio - Rivestimento frontale (non sfoderabile)

### Finitura base:

Alluminio verniciato (nei colori del poliuretano)

### Finitura scocca:

Poliuretano bianco (P001)  
 Poliuretano nero (P003)  
 Poliuretano beige (P004)  
 Poliuretano terracotta (P006)  
 Poliuretano verde oliva (P008)  
 Poliuretano rosso rubino (P010)  
 Poliuretano grigio Londra (L011)  
 Poliuretano blu polvere (P012)

### Finitura rivestimento:

A = Valencia (pelle sintetica)  
 B = Field 2, COM (tessuto Cliente)  
 C = Merit, COL (pelle Cliente)  
 D = Clara 2, Patio, Regal, Remix 2  
 E = Curmi, Hero, Melange Nap  
 F = Canvas 2, Scuba, Steelcut Trio 3  
 G = Divina Melange 3, Hallingdal 65  
 H = Twill Weave  
 L1 = Coast (pelle fiore corretto)  
 L2 = Elmosoft (pelle semi-anilina)  
 L3 = Elmotique (pelle anilina)

### Note:

La base in alluminio presenta dei tappi in nylon nei seguenti colori:

- base bianca = tappi bianchi
- base nera = tappi neri
- base beige = tappi beige
- base terracotta = tappi neri
- base verde oliva = tappi neri
- base rosso rubino = tappi neri
- base grigio Londra = tappi neri
- base blu polvere = tappi neri

Attenzione: l'imballo conterrà un elemento di protezione poggiatesta in acciaio inox, applicabile a scelta.

Per informazioni su composizioni tessuti vedi interno di copertina.

Per ordini COM/COL vedi interno di copertina.

### PIEDINI:

Di serie in plastica dura. Su richiesta vengono forniti piedini con inserto in feltro per pavimenti in legno.

Consumo COM: 0,3 ml (H. 140 cm).

Consumo COL: 0,6 mq.

Imballi rinforzati vedi interno di copertina.

### Sgabello basso (altezza seduta 66 cm)

Codice	Base	Scocca	Rivestimento frontale										colli	m <sup>3</sup>	Kg			
			A	B	C	D	E	F	G	H	L1	L2				L3		
05SHA30	Alluminio verniciato	Poliuretano														1	0,25	7,8

ogni collo contiene 1 sgabello

### Sgabello alto (altezza seduta 76 cm)

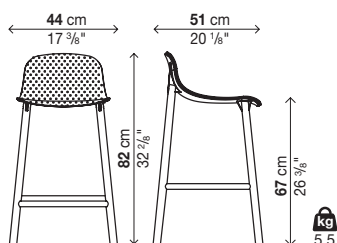
Codice	Base	Scocca	Rivestimento frontale										colli	m <sup>3</sup>	Kg			
			A	B	C	D	E	F	G	H	L1	L2				L3		
05SHA31	Alluminio verniciato	Poliuretano														1	0,25	8,1

ogni collo contiene 1 sgabello

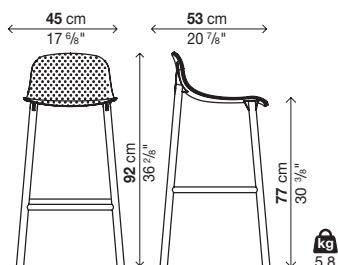
### Optionals

Codice	Descrizione	colli	m <sup>3</sup>	Kg
02PIE10	Set di piedini in feltro	-	-	-

05SHA30



05SHA31



Seat stitching - only for versions: Valencia, COL, Scuba, Coast, Elmosoft, Elmotique

# SHARKY SGABELLO (SCHIENALE ALTO)

## Base legno

### Finitura base:

Legno massello di faggio  
 Legno massello di rovere europeo  
 Legno massello di rovere tinto noce  
 Legno massello verniciato (nei colori del poliuretano)

### Finitura scocca:

Poliuretano bianco (P001)  
 Poliuretano nero (P003)  
 Poliuretano beige (P004)  
 Poliuretano terracotta (P006)  
 Poliuretano verde oliva (P008)  
 Poliuretano rosso rubino (P010)  
 Poliuretano grigio Londra (LO11)  
 Poliuretano blu polvere (P012)

### Finitura rivestimento cuscino Sharky:

A = Valencia (pelle sintetica), COM (tessuto Cliente)  
 B = Field 2  
 C = Clara 2, Merit  
 D = Curmi, Patio, Remix 2  
 E = Canvas 2, Hero, Melange Nap  
 F = Regal, Scuba, Steelcut Trio 3  
 G = Divina Melange 3, Hallingdal 65  
 H = Twill Weave

### Finitura rivestimento cuscino Lips:

A = COM (tessuto Cliente)  
 B = Field 2

### Note:

Attenzione: l'imballo conterrà un elemento di protezione poggiatesta in acciaio inox, applicabile a scelta.

Per informazioni su composizioni tessuti vedi interno di copertina.

Per ordini COM vedi interno di copertina.

### PIEDINI:

Di serie in plastica dura. Su richiesta vengono forniti piedini con inserto in feltro per pavimenti in legno.

Consumo cuscino Sharky: 0,55 ml (H. 140 cm).

Consumo cuscino Lips: 0,5 ml (H. 140 cm).

Imballi rinforzati vedi interno di copertina.

### Sgabello basso (altezza seduta 66 cm)

Codice	Base	Scocca		
		colli	m <sup>3</sup>	Kg
		Poliuretano		
05SHA03	Faggio	1	0,35	9,2
	Rovere europeo, Rovere tinto noce, Legno verniciato			

ogni collo contiene 1 sgabello

### Sgabello alto (altezza seduta 76 cm)

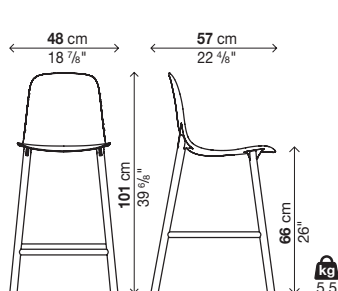
Codice	Base	Scocca		
		colli	m <sup>3</sup>	Kg
		Poliuretano		
05SHA04	Faggio	1	0,25	9,5
	Rovere europeo, Rovere tinto noce, Legno verniciato			

ogni collo contiene 1 sgabello

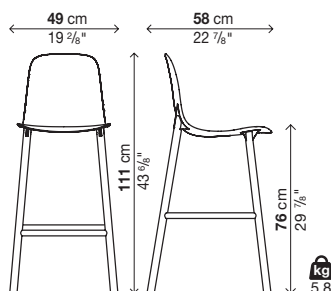
### Optionals

Codice	Descrizione	Rivestimento										colli	m <sup>3</sup>	Kg	
		A	B	C	D	E	F	G	H	L1	L2				L3
20SHA02	Cuscino rimovibile Sharky (non sfoderabile)									-	-	-	1	0,02	1
20LIR01	Cuscino rimovibile LIPS-R (non sfoderabile)			-	-	-	-	-	-	-	-	-	1	0,01	1
02PIE07	Set di piedini in feltro												-	-	-

05SHA03



05SHA04

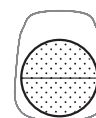


SHARKY (20SHA01)



kg  
0,6

LIPS-R (20LIR01)



kg  
0,6

# SHARKY SGABELLO (SCHIENALE ALTO)

## Base legno - Rivestimento frontale (non sfoderabile)

### Finitura base:

Legno massello di faggio  
 Legno massello di rovere europeo  
 Legno massello di rovere tinto noce  
 Legno massello verniciato (nei colori del poliuretano)

### Finitura scocca:

Poliuretano bianco (P001)  
 Poliuretano nero (P003)  
 Poliuretano beige (P004)  
 Poliuretano terracotta (P006)  
 Poliuretano verde oliva (P008)  
 Poliuretano rosso rubino (P010)  
 Poliuretano grigio Londra (LO11)  
 Poliuretano blu polvere (P012)

### Finitura rivestimento:

A = Valencia (pelle sintetica)  
 B = Field 2, COM (tessuto Cliente)  
 C = Merit, COL (pelle Cliente)  
 D = Clara 2, Patio, Regal, Remix 2  
 E = Curmi, Hero, Melange Nap  
 F = Canvas 2, Scuba, Steelcut Trio 3  
 G = Divina Melange 3, Hallingdal 65  
 H = Twill Weave  
 L1 = Coast (pelle fiore corretto)  
 L2 = Elmosoft (pelle semi-anilina)  
 L3 = Elmotique (pelle anilina)

### Note:

Attenzione: l'imballo conterrà un elemento di protezione poggiatesta in acciaio inox, applicabile a scelta.

Per informazioni su composizioni tessuti vedi interno di copertina.

Per ordini COM/COL vedi interno di copertina.

### PIEDINI:

Di serie in plastica dura. Su richiesta vengono forniti piedini con inserto in feltro per pavimenti in legno.

Consumo COM: 0,4 ml (H. 140 cm).

Consumo COL: 0,8 mq.

Imballi rinforzati vedi interno di copertina.

### Sgabello basso (altezza seduta 66 cm)

Codice	Base	Scocca	Rivestimento frontale											colli	m <sup>3</sup>	Kg			
			A	B	C	D	E	F	G	H	L1	L2	L3						
05SHA13	Faggio	Poliuretano															1	0,35	11,1
	Rovere europeo, Rovere tinto noce, Legno verniciato	Poliuretano																	

ogni collo contiene 1 sgabello

### Sgabello alto (altezza seduta 76 cm)

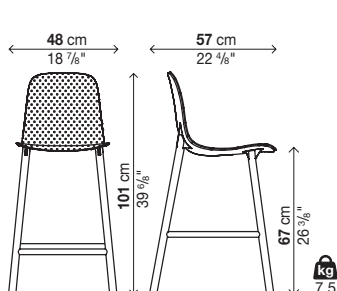
Codice	Base	Scocca	Rivestimento frontale											colli	m <sup>3</sup>	Kg			
			A	B	C	D	E	F	G	H	L1	L2	L3						
05SHA14	Faggio	Poliuretano															1	0,35	11,4
	Rovere europeo, Rovere tinto noce, Legno verniciato	Poliuretano																	

ogni collo contiene 1 sgabello

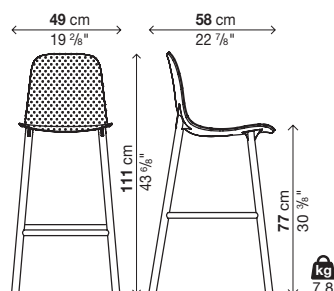
### Optionals

Codice	Descrizione	colli	m <sup>3</sup>	Kg
02PIE07	Set di piedini in feltro	-	-	-

05SHA13



05SHA14



Seat stitching -  
 only for versions:  
 Valencia, COL, Scuba, Coast,  
 Elmosoft, Elmotique

# SHARKY ALU SGABELLO (SCHIENALE ALTO)

## Base alluminio

### Finitura base:

Alluminio verniciato (nei colori del poliuretano)

### Finitura scocca:

Poliuretano bianco (P001)  
 Poliuretano nero (P003)  
 Poliuretano beige (P004)  
 Poliuretano terracotta (P006)  
 Poliuretano verde oliva (P008)  
 Poliuretano rosso rubino (P010)  
 Poliuretano grigio Londra (LO11)  
 Poliuretano blu polvere (P012)

### Finitura rivestimento cuscino Sharky:

A = Valencia (pelle sintetica), COM (tessuto Cliente)  
 B = Field 2  
 C = Clara 2, Merit  
 D = Curmi, Patio, Remix 2  
 E = Canvas 2, Hero, Melange Nap  
 F = Regal, Scuba, Steelcut Trio 3  
 G = Divina Melange 3, Hallingdal 65  
 H = Twill Weave

### Finitura rivestimento cuscino Lips:

A = COM (tessuto Cliente)  
 B = Field 2

### Note:

La base in alluminio presenta dei tappi in nylon nei seguenti colori:

- base bianca = tappi bianchi
- base nera = tappi neri
- base beige = tappi beige
- base terracotta = tappi neri
- base verde oliva = tappi neri
- base rosso rubino = tappi neri
- base grigio Londra = tappi neri
- base blu polvere = tappi neri

Attenzione: l'imballo conterrà un elemento di protezione poggiatesta in acciaio inox, applicabile a scelta.

Per informazioni su composizioni tessuti vedi interno di copertina.

Per ordini COM vedi interno di copertina.

### PIEDINI:

Di serie in plastica dura. Su richiesta vengono forniti piedini con inserto in feltro per pavimenti in legno.

Consumo cuscino Sharky: 0,55 ml (H. 140 cm).

Consumo cuscino Lips: 0,5 ml (H. 140 cm).

Imballi rinforzati vedi interno di copertina.

### Sgabello basso (altezza seduta 66 cm)

Codice	Base	Scocca	
		colli	m <sup>3</sup> Kg
		Poliuretano	
<b>05SHA08</b>	Alluminio verniciato	1	0,35 6,3

ogni collo contiene 1 sgabello

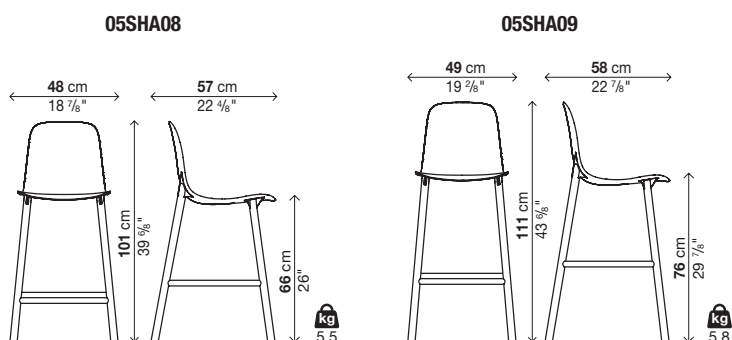
### Sgabello alto (altezza seduta 76 cm)

Codice	Base	Scocca	
		colli	m <sup>3</sup> Kg
		Poliuretano	
<b>05SHA09</b>	Alluminio verniciato	1	0,4 7

ogni collo contiene 1 sgabello

### Optionals

Codice	Descrizione	Rivestimento										colli	m <sup>3</sup>	Kg	
		A	B	C	D	E	F	G	H	L1	L2				L3
<b>20SHA02</b>	Cuscino rimovibile Sharky (non sfoderabile)									-	-	-	1	0,02	1
<b>20LIR01</b>	Cuscino rimovibile LIPS-R (non sfoderabile)			-	-	-	-	-	-	-	-	-	1	0,01	1
<b>02PIE10</b>	Set di piedini in feltro												-	-	-

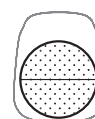


SHARKY (20SHA01)



kg  
0,6

LIPS-R (20LIR01)



kg  
0,6



# SHARKY ALU SGABELLO (SCHIENALE ALTO)

## Base alluminio - Rivestimento frontale (non sfoderabile)

### Finitura base:

Alluminio verniciato (nei colori del poliuretano)

### Finitura scocca:

Poliuretano bianco (P001)  
 Poliuretano nero (P003)  
 Poliuretano beige (P004)  
 Poliuretano terracotta (P006)  
 Poliuretano verde oliva (P008)  
 Poliuretano rosso rubino (P010)  
 Poliuretano grigio Londra (L011)  
 Poliuretano blu polvere (P012)

### Finitura rivestimento:

A = Valencia (pelle sintetica)  
 B = Field 2, COM (tessuto Cliente)  
 C = Merit, COL (pelle Cliente)  
 D = Clara 2, Patio, Regal, Remix 2  
 E = Curmi, Hero, Melange Nap  
 F = Canvas 2, Scuba, Steelcut Trio 3  
 G = Divina Melange 3, Hallingdal 65  
 H = Twill Weave  
 L1 = Coast (pelle fiore corretto)  
 L2 = Elmosoft (pelle semi-anilina)  
 L3 = Elmotique (pelle anilina)

### Note:

La base in alluminio presenta dei tappi in nylon nei seguenti colori:

- base bianca = tappi bianchi
- base nera = tappi neri
- base beige = tappi beige
- base terracotta = tappi neri
- base verde oliva = tappi neri
- base rosso rubino = tappi neri
- base grigio Londra = tappi neri
- base blu polvere = tappi neri

Attenzione: l'imballo conterrà un elemento di protezione poggiatesta in acciaio inox, applicabile a scelta.

Per informazioni su composizioni tessuti vedi interno di copertina.

Per ordini COM/COL vedi interno di copertina.

### PIEDINI:

Di serie in plastica dura. Su richiesta vengono forniti piedini con inserto in feltro per pavimenti in legno.

Consumo COM: 0,4 ml (H. 140 cm).

Consumo COL: 0,8 mq.

Imballi rinforzati vedi interno di copertina.

### Sgabello basso (altezza seduta 66 cm)

Codice	Base	Scocca	Rivestimento frontale											colli	m <sup>3</sup>	Kg			
			A	B	C	D	E	F	G	H	L1	L2	L3						
05SHA18	Alluminio verniciato	Poliuretano															1	0,35	7,8

ogni collo contiene 1 sgabello

### Sgabello alto (altezza seduta 76 cm)

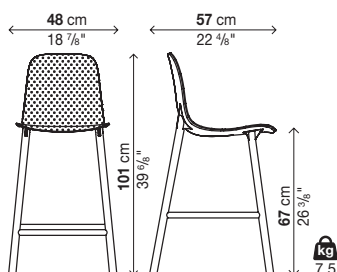
Codice	Base	Scocca	Rivestimento frontale											colli	m <sup>3</sup>	Kg			
			A	B	C	D	E	F	G	H	L1	L2	L3						
05SHA19	Alluminio verniciato	Poliuretano															1	0,4	8,1

ogni collo contiene 1 sgabello

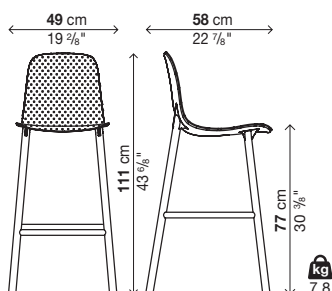
### Optionals

Codice	Descrizione	colli	m <sup>3</sup>	Kg
02PIE10	Set di piedini in feltro	-	-	-

05SHA18



05SHA19



Seat stitching - only for versions: Valencia, COL, Scuba, Coast, Elmosoft, Elmotique

# SHARKY

## Untergestell aus Holz

### Ausführung Gestell:

Massives Buchenholz  
 Massives europäisches Eichenholz  
 Massives Eichenholz Farbe Nussbaum  
 Massivholz lackiert (in den Polyurethan-Farben)

### Ausführung Aufbau:

Polyurethan Weiß (PO01)  
 Polyurethan Schwarz (PO03)  
 Polyurethan Beige (PO04)  
 Polyurethan Terracotta (PO06)  
 Polyurethan Olivgrün (PO08)  
 Polyurethan Rubinrot (PO10)  
 Polyurethan Grau London (LO11)  
 Polyurethan Wolkenblau (PO12)

### Ausführung Kissen Sharky:

A = Valencia (Synthetische Leder), COM (Kundenstoff)  
 B = Field 2  
 C = Clara 2, Merit  
 D = Curmi, Patio, Remix 2  
 E = Canvas 2, Hero, Melange Nap  
 F = Regal, Scuba, Steelcut Trio 3  
 G = Divina Melange 3, Hallingdal 65  
 H = Twill Weave

### Ausführung Kissen Lips:

A = COM (Kundenstoff)  
 B = Field 2

### Anmerkung:

Für Informationen zur Zusammensetzung der Stoffe siehe Innenseite des Umschlags.

Für Bestellungen COM siehe Innenseite des Umschlags.

### FÜßE:

Standard in Hartplastik. Auf Wunsch liefern wir Füße mit Filzeinlage für Holzböden.

Verbrauch Kissen Sharky: 0,55 ml (H. 140 cm).

Verbrauch Kissen Lips: 0,5 ml (H. 140 cm).

Für verstärkte Verpackungen siehe Innenseite des Umschlags.

Art.-Nr.	Gestell	Aufbau	
	Buchenholz		
<b>05SHA01</b>	Europäische Eiche, Farbe Nussbaum, Lackiertes Holz		1 0,38

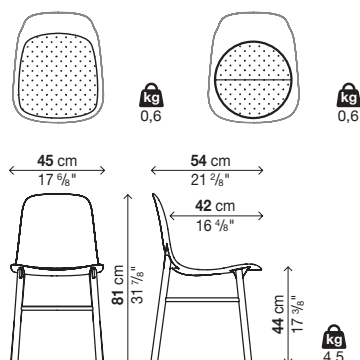
jedes Frachtstück beinhaltet 2 Stühle (Kg. 11,5) / 1 Stuhl (Kg. 7)

### Optionen

Art.-Nr.	Beschreibung	Bezug										kolli	m³	Kg	
		A	B	C	D	E	F	G	H	L1	L2				L3
<b>20SHA01</b>	Abnehmbares Kissen Sharky (nicht abziehbar)									-	-	-	1	0,02	1
<b>20LIR01</b>	Abnehmbares Kissen LIPS-R (nicht abziehbar)			-	-	-	-	-	-	-	-	-	1	0,01	1
<b>02PIE07</b>	Set Filzfüße												-	-	-

SHARKY (20SHA01)

LIPS-R (20LIR01)



# SHARKY

## Untergestell aus Holz - Vorderer Bezug (nicht abziehbar)

### Ausführung Gestell:

Massives Buchenholz  
 Massives europäisches Eichenholz  
 Massives Eichenholz Farbe Nussbaum  
 Massivholz lackiert (in den Polyurethan-Farben)

### Ausführung Aufbau:

Polyurethan Weiß (P001)  
 Polyurethan Schwarz (P003)  
 Polyurethan Beige (P004)  
 Polyurethan Terracotta (P006)  
 Polyurethan Olivgrün (P008)  
 Polyurethan Rubinrot (P010)  
 Polyurethan Grau London (L011)  
 Polyurethan Wolkenblau (P012)

### Ausführung des Bezugs:

A = Valencia (Synthetische Leder)  
 B = Field 2, COM (Kundenstoff)  
 C = Merit, COL (Kundenleder)  
 D = Clara 2, Patio, Regal, Remix 2  
 E = Curmi, Hero, Melange Nap  
 F = Canvas 2, Scuba, Steelcut Trio 3  
 G = Divina Melange 3, Hallingdal 65  
 H = Twill Weave  
 L1 = Coast (Nubukleder)  
 L2 = Elmosoft (Semianilinleder)  
 L3 = Elmotique (Anilinleder)

### Anmerkung:

Für Informationen zur Zusammensetzung der Stoffe siehe Innenseite des Umschlags.

Für Aufträge mit COM/COL siehe Innenseite des Umschlags.

### FÜßE:

Standard in Hartplastik. Auf Wunsch liefern wir Füße mit Filzeinlage für Holzböden.

Verbrauch COM: 0,4 ml (H. 140 cm).

Verbrauch COL: 0,8 mq.

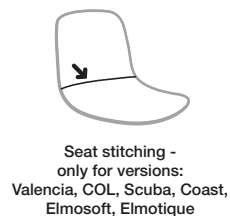
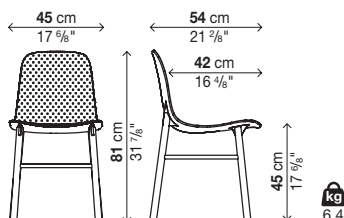
Für verstärkte Verpackungen siehe Innenseite des Umschlags.

Art.-Nr.	Gestell	Aufbau	Vorderer Bezug											kolli	m <sup>3</sup>	Kg	
			A	B	C	D	E	F	G	H	L1	L2	L3				
05SHA11	Buchenholz	Polyurethan															
	Europäische Eiche, Farbe Nussbaum, Lackiertes Holz	Polyurethan															1 0,38

jedes Frachtstück beinhaltet 2 Stühle (Kg. 15,5) / 1 Stuhl (Kg. 9)

### Optionen

Art.-Nr.	Beschreibung	kolli	m <sup>3</sup>	Kg
02PIE07	Set Filzfüße	-	-	-



# SHARKY ALU

## Untergestell aus Aluminium

### Ausführung Gestell:

Lackiertes Aluminium (in den Polyurethan-Farben)

### Ausführung Aufbau:

Polyurethan Weiß (P001)  
 Polyurethan Schwarz (P003)  
 Polyurethan Beige (P004)  
 Polyurethan Terracotta (P006)  
 Polyurethan Olivgrün (P008)  
 Polyurethan Rubinrot (P010)  
 Polyurethan Grau London (L011)  
 Polyurethan Wolkenblau (P012)

### Ausführung Kissen Sharky:

A = Valencia (Synthetische Leder), COM (Kundenstoff)  
 B = Field 2  
 C = Clara 2, Merit  
 D = Curmi, Patio, Remix 2  
 E = Canvas 2, Hero, Melange Nap  
 F = Regal, Scuba, Steelcut Trio 3  
 G = Divina Melange 3, Hallingdal 65  
 H = Twill Weave

### Ausführung Kissen Lips:

A = COM (Kundenstoff)  
 B = Field 2

### Anmerkung:

Das Untergestell aus Aluminium besitzt Abdeckkappen aus Nylon in folgenden Farben:

- Weißes Untergestell = weiße Abdeckkappen
- Schwarzes Untergestell = schwarze Abdeckkappen
- Beiges Untergestell = beige Abdeckkappen
- Terracottabraunes Untergestell = schwarze Abdeckkappen
- Olivgrünes Untergestell = schwarze Abdeckkappen
- Rubinrot Untergestell = schwarze Abdeckkappen
- Grau London Untergestell = schwarze Abdeckkappen
- Wolkenblau Untergestell = schwarze Abdeckkappen

Für Informationen zur Zusammensetzung der Stoffe siehe Innenseite des Umschlags.

Für Bestellungen COM siehe Innenseite des Umschlags.

### FÜßE:

Standard in Hartplastik. Auf Wunsch liefern wir Füße mit Filzeinlage für Holzböden.

Verbrauch Kissen Sharky: 0,55 ml (H. 140 cm).

Verbrauch Kissen Lips: 0,5 ml (H. 140 cm).

Für verstärkte Verpackungen siehe Innenseite des Umschlags.

Art.-Nr.	Gestell	Aufbau	
			kolli m³ Kg
		Polyurethan	
<b>05SHA02</b>	Aluminium lackiert		1 0,38

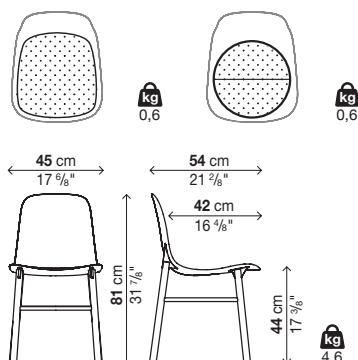
jedes Frachtstück beinhaltet 2 Stühle (Kg. 11,6) / 1 Stuhl (Kg. 7,1)

### Optionen

Art.-Nr.	Beschreibung	Bezug										kolli m³ Kg	
		A	B	C	D	E	F	G	H	L1	L2		L3
<b>20SHA01</b>	Abnehmbares Kissen Sharky (nicht abziehbar)									-	-	-	1 0,02 1
<b>20LIR01</b>	Abnehmbares Kissen LIPS-R (nicht abziehbar)			-	-	-	-	-	-	-	-	-	1 0,01 1
<b>02PIE10</b>	Set Filzfüße												- - -

SHARKY (20SHA01)

LIPS-R (20LIR01)



# SHARKY ALU

## Untergestell aus Aluminium - Vorderer Bezug (nicht abziehbar)

### Ausführung Gestell:

Lackiertes Aluminium (in den Polyurethan-Farben)

### Ausführung Aufbau:

Polyurethan Weiß (P001)  
 Polyurethan Schwarz (P003)  
 Polyurethan Beige (P004)  
 Polyurethan Terracotta (P006)  
 Polyurethan Olivgrün (P008)  
 Polyurethan Rubinrot (P010)  
 Polyurethan Grau London (L011)  
 Polyurethan Wolkenblau (P012)

### Ausführung des Bezugs:

A = Valencia (Synthetische Leder)  
 B = Field 2, COM (Kundenstoff)  
 C = Merit, COL (Kundenleder)  
 D = Clara 2, Patio, Regal, Remix 2  
 E = Curmi, Hero, Melange Nap  
 F = Canvas 2, Scuba, Steelcut Trio 3  
 G = Divina Melange 3, Hallingdal 65  
 H = Twill Weave  
 L1 = Coast (Nubukleder)  
 L2 = Elmosoft (Semianilinleder)  
 L3 = Elmotique (Anilinleder)

### Anmerkung:

Das Untergestell aus Aluminium besitzt Abdeckkappen aus Nylon in folgenden Farben:

- Weißes Untergestell = weiße Abdeckkappen
- Schwarzes Untergestell = schwarze Abdeckkappen
- Beiges Untergestell = beige Abdeckkappen
- Terracottabraunes Untergestell = schwarze Abdeckkappen
- Olivgrünes Untergestell = schwarze Abdeckkappen
- Rubinrot Untergestell = schwarze Abdeckkappen
- Grau London Untergestell = schwarze Abdeckkappen
- Wolkenblau Untergestell = schwarze Abdeckkappen

Für Informationen zur Zusammensetzung der Stoffe siehe Innenseite des Umschlags.

Für Aufträge mit COM/COL siehe Innenseite des Umschlags.

### FÜßE:

Standard in Hartplastik. Auf Wunsch liefern wir Füße mit Filzeinlage für Holzböden.

Verbrauch COM: 0,4 ml (H. 140 cm).

Verbrauch COL: 0,8 mq.

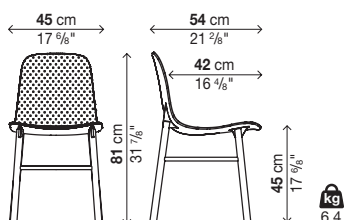
Für verstärkte Verpackungen siehe Innenseite des Umschlags.

Art.-Nr.	Gestell	Aufbau	Vorderer Bezug										kolli	m³	Kg		
			A	B	C	D	E	F	G	H	L1	L2				L3	
05SHA12	Aluminium lackiert	Polyurethan														1	0,38

jedes Frachtstück beinhaltet 2 Stühle (Kg. 15,6) / 1 Stuhl (Kg. 9,1)

### Optionen

Art.-Nr.	Beschreibung	kolli	m³	Kg
02PIE10	Set Filzfüße	-	-	-



# SHARKY HOCKER (NIEDRIGE RÜCKENLEHNE)

## Untergestell aus Holz

### Ausführung Gestell:

Massives Buchenholz  
 Massives europäisches Eichenholz  
 Massives Eichenholz Farbe Nussbaum  
 Massivholz lackiert (in den Polyurethan-Farben)

### Ausführung Aufbau:

Polyurethan Weiß (P001)  
 Polyurethan Schwarz (P003)  
 Polyurethan Beige (P004)  
 Polyurethan Terracotta (P006)  
 Polyurethan Olivgrün (P008)  
 Polyurethan Rubinrot (P010)  
 Polyurethan Grau London (L011)  
 Polyurethan Wolkenblau (P012)

### Ausführung Kissen Sharky:

A = Valencia (Synthetische Leder), COM (Kundenstoff)  
 B = Field 2  
 C = Clara 2, Merit  
 D = Curmi, Patio, Remix 2  
 E = Canvas 2, Hero, Melange Nap  
 F = Regal, Scuba, Steelcut Trio 3  
 G = Divina Melange 3, Hallingdal 65  
 H = Twill Weave

### Ausführung Kissen Lips:

A = COM (Kundenstoff)  
 B = Field 2

### Anmerkung:

Achtung: Der Verpackung liegt auch ein Schutzelement für die Fußstütze aus Edelstahl bei, das nach Belieben angebracht werden kann.

Für Informationen zur Zusammensetzung der Stoffe siehe Innenseite des Umschlags.

Für Bestellungen COM siehe Innenseite des Umschlags.

### FÜßE:

Standard in Hartplastik. Auf Wunsch liefern wir Füße mit Filzeinlage für Holzböden.

Verbrauch Kissen Sharky: 0,55 ml (H. 140 cm).

Verbrauch Kissen Lips: 0,5 ml (H. 140 cm).

Für verstärkte Verpackungen siehe Innenseite des Umschlags.

### Niedriger Hocker (Sitzhöhe 66 cm)

Art.-Nr.	Gestell	Aufbau		
		kolli	m <sup>3</sup>	Kg
		Polyurethan		
	Buchenholz			
<b>05SHA05</b>	Europäische Eiche, Farbe Nussbaum, Lackiertes Holz	1	0,25	8,2

Ein Hocker pro Frachtstück

### Hoher Hocker (Sitzhöhe 76 cm)

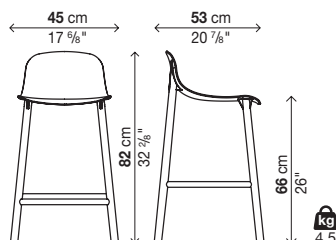
Art.-Nr.	Gestell	Aufbau		
		kolli	m <sup>3</sup>	Kg
		Polyurethan		
	Buchenholz			
<b>05SHA06</b>	Europäische Eiche, Farbe Nussbaum, Lackiertes Holz	1	0,25	8,5

Ein Hocker pro Frachtstück

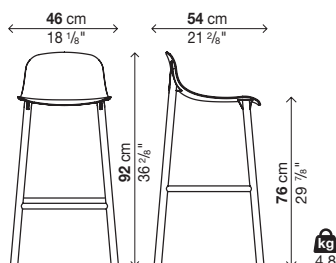
### Optionen

Art.-Nr.	Beschreibung	Bezug										kolli	m <sup>3</sup>	Kg	
		A	B	C	D	E	F	G	H	L1	L2				L3
<b>20SHA02</b>	Abnehmbares Kissen Sharky (nicht abziehbar)									-	-	-	1	0,02	1
<b>20LIR01</b>	Abnehmbares Kissen LIPS-R (nicht abziehbar)			-	-	-	-	-	-	-	-	-	1	0,01	1
<b>02PIE07</b>	Set Filzfüße												-	-	-

**05SHA05**



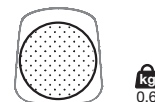
**05SHA06**



**SHARKY (20SHA02)**



**LIPS-R (20LIR01)**



# SHARKY HOCKER (NIEDRIGE RÜCKENLEHNE)

## Untergestell aus Holz - Vorderer Bezug (nicht abziehbar)

### Ausführung Gestell:

Massives Buchenholz  
 Massives europäisches Eichenholz  
 Massives Eichenholz Farbe Nussbaum  
 Massivholz lackiert (in den Polyurethan-Farben)

### Ausführung Aufbau:

Polyurethan Weiß (P001)  
 Polyurethan Schwarz (P003)  
 Polyurethan Beige (P004)  
 Polyurethan Terracotta (P006)  
 Polyurethan Olivgrün (P008)  
 Polyurethan Rubinrot (P010)  
 Polyurethan Grau London (L011)  
 Polyurethan Wolkenblau (P012)

### Ausführung des Bezugs:

A = Valencia (Synthetische Leder)  
 B = Field 2, COM (Kundenstoff)  
 C = Merit, COL (Kundenleder)  
 D = Clara 2, Patio, Regal, Remix 2  
 E = Curmi, Hero, Melange Nap  
 F = Canvas 2, Scuba, Steelcut Trio 3  
 G = Divina Melange 3, Hallingdal 65  
 H = Twill Weave  
 L1 = Coast (Nubukleder)  
 L2 = Elmosoft (Semianilinleder)  
 L3 = Elmotique (Anilinleder)

### Anmerkung:

Achtung: Der Verpackung liegt auch ein Schutzelement für die Fußstütze aus Edelstahl bei, das nach Belieben angebracht werden kann.

Für Informationen zur Zusammensetzung der Stoffe siehe Innenseite des Umschlags.

Für Aufträge mit COM/COL siehe Innenseite des Umschlags.

### FÜßE:

Standard in Hartplastik. Auf Wunsch liefern wir Füße mit Filzeinlage für Holzböden.

Verbrauch COM: 0,3 ml (H. 140 cm).

Verbrauch COL: 0,6 mq.

Für verstärkte Verpackungen siehe Innenseite des Umschlags.

### Niedriger Hocker (Sitzhöhe 66 cm)

Art.-Nr.	Gestell	Aufbau	Vorderer Bezug											kolli	m <sup>3</sup>	Kg			
			A	B	C	D	E	F	G	H	L1	L2	L3						
05SHA15	Buchenholz	Polyurethan															1	0,25	9,7
	Europäische Eiche, Farbe Nussbaum, Lackiertes Holz	Polyurethan																	

Ein Hocker pro Frachtstück

### Hoher Hocker (Sitzhöhe 76 cm)

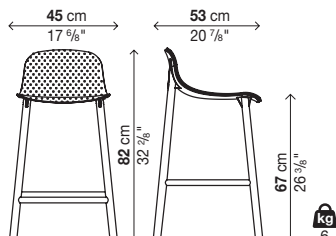
Art.-Nr.	Gestell	Aufbau	Vorderer Bezug											kolli	m <sup>3</sup>	Kg			
			A	B	C	D	E	F	G	H	L1	L2	L3						
05SHA16	Buchenholz	Polyurethan															1	0,25	10
	Europäische Eiche, Farbe Nussbaum, Lackiertes Holz	Polyurethan																	

Ein Hocker pro Frachtstück

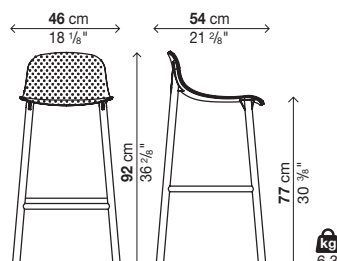
### Optionen

Art.-Nr.	Beschreibung	kolli	m <sup>3</sup>	Kg
02PIE07	Set Filzfüße	-	-	-

05SHA15



05SHA16



Seat stitching - only for versions: Valencia, COL, Scuba, Coast, Elmosoft, Elmotique

# SHARKY ALU HOCKER (NIEDRIGE RÜCKENLEHNE)

## Untergestell aus Aluminium

### Ausführung Gestell:

Lackiertes Aluminium (in den Polyurethan-Farben)

### Ausführung Aufbau:

Polyurethan Weiß (P001)  
 Polyurethan Schwarz (P003)  
 Polyurethan Beige (P004)  
 Polyurethan Terracotta (P006)  
 Polyurethan Olivgrün (P008)  
 Polyurethan Rubinrot (P010)  
 Polyurethan Grau London (L011)  
 Polyurethan Wolkenblau (P012)

### Ausführung Kissen Sharky:

A = Valencia (Synthetische Leder), COM (Kundenstoff)  
 B = Field 2  
 C = Clara 2, Merit  
 D = Curmi, Patio, Remix 2  
 E = Canvas 2, Hero, Melange Nap  
 F = Regal, Scuba, Steelcut Trio 3  
 G = Divina Melange 3, Hallingdal 65  
 H = Twill Weave

### Ausführung Kissen Lips:

A = COM (Kundenstoff)  
 B = Field 2

### Anmerkung:

Das Untergestell aus Aluminium besitzt Abdeckkappen aus Nylon in folgenden Farben:

- Weißes Untergestell = weiße Abdeckkappen
- Schwarzes Untergestell = schwarze Abdeckkappen
- Beiges Untergestell = beige Abdeckkappen
- Terracottabraunes Untergestell = schwarze Abdeckkappen
- Olivgrünes Untergestell = schwarze Abdeckkappen
- Rubinrot Untergestell = schwarze Abdeckkappen
- Grau London Untergestell = schwarze Abdeckkappen
- Wolkenblau Untergestell = schwarze Abdeckkappen

Achtung: Der Verpackung liegt auch ein Schutzelement für die Fußstütze aus Edelstahl bei, das nach Belieben angebracht werden kann.

Für Informationen zur Zusammensetzung der Stoffe siehe Innenseite des Umschlags.

Für Bestellungen COM siehe Innenseite des Umschlags.

### FÜßE:

Standard in Hartplastik. Auf Wunsch liefern wir Füße mit Filzeinlage für Holzböden.

Verbrauch Kissen Sharky: 0,55 ml (H. 140 cm).

Verbrauch Kissen Lips: 0,5 ml (H. 140 cm).

Für verstärkte Verpackungen siehe Innenseite des Umschlags.

### Niedriger Hocker (Sitzhöhe 66 cm)

Art.-Nr.	Gestell	Aufbau		
		kolli	m <sup>3</sup>	Kg
		Polyurethan		
<b>05SHA20</b>	Aluminium lackiert	1	0,25	6,3

Ein Hocker pro Frachtstück

### Hoher Hocker (Sitzhöhe 76 cm)

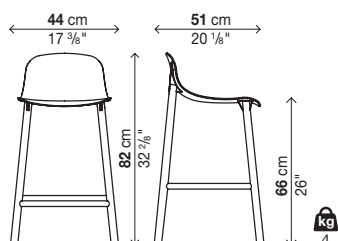
Art.-Nr.	Gestell	Aufbau		
		kolli	m <sup>3</sup>	Kg
		Polyurethan		
<b>05SHA21</b>	Aluminium lackiert	1	0,25	7

Ein Hocker pro Frachtstück

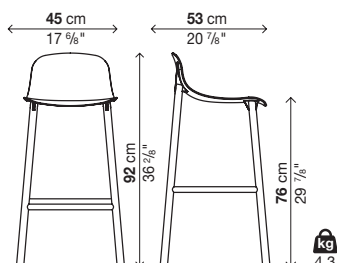
### Optionen

Art.-Nr.	Beschreibung	Bezug										kolli	m <sup>3</sup>	Kg	
		A	B	C	D	E	F	G	H	L1	L2				L3
<b>20SHA02</b>	Abnehmbares Kissen Sharky (nicht abziehbar)									-	-	-	1	0,02	1
<b>20LIR01</b>	Abnehmbares Kissen LIPS-R (nicht abziehbar)			-	-	-	-	-	-	-	-	-	1	0,01	1
<b>02PIE10</b>	Set Filzfüße												-	-	-

**05SHA20**



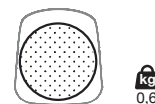
**05SHA21**



**SHARKY (20SHA02)**



**LIPS-R (20LIR01)**





# SHARKY ALU HOCKER (NIEDRIGE RÜCKENLEHNE)

## Untergestell aus Aluminium - Vorderer Bezug (nicht abziehbar)

### Ausführung Gestell:

Lackiertes Aluminium (in den Polyurethan-Farben)

### Ausführung Aufbau:

Polyurethan Weiß (P001)  
 Polyurethan Schwarz (P003)  
 Polyurethan Beige (P004)  
 Polyurethan Terracotta (P006)  
 Polyurethan Olivgrün (P008)  
 Polyurethan Rubinrot (P010)  
 Polyurethan Grau London (L011)  
 Polyurethan Wolkenblau (P012)

### Ausführung des Bezugs:

A = Valencia (Synthetische Leder)  
 B = Field 2, COM (Kundenstoff)  
 C = Merit, COL (Kundenleder)  
 D = Clara 2, Patio, Regal, Remix 2  
 E = Curmi, Hero, Melange Nap  
 F = Canvas 2, Scuba, Steelcut Trio 3  
 G = Divina Melange 3, Hallingdal 65  
 H = Twill Weave  
 L1 = Coast (Nubukleder)  
 L2 = Elmosoft (Semianilinleder)  
 L3 = Elmotique (Anilinleder)

### Anmerkung:

Das Untergestell aus Aluminium besitzt Abdeckkappen aus Nylon in folgenden Farben:

- Weißes Untergestell = weiße Abdeckkappen
- Schwarzes Untergestell = schwarze Abdeckkappen
- Beiges Untergestell = beige Abdeckkappen
- Terracottabraunes Untergestell = schwarze Abdeckkappen
- Olivgrünes Untergestell = schwarze Abdeckkappen
- Rubinrot Untergestell = schwarze Abdeckkappen
- Grau London Untergestell = schwarze Abdeckkappen
- Wolkenblau Untergestell = schwarze Abdeckkappen

Achtung: Der Verpackung liegt auch ein Schutzelement für die Fußstütze aus Edelstahl bei, das nach Belieben angebracht werden kann.

Für Informationen zur Zusammensetzung der Stoffe siehe Innenseite des Umschlags.

Für Aufträge mit COM/COL siehe Innenseite des Umschlags.

### FÜßE:

Standard in Hartplastik. Auf Wunsch liefern wir Füße mit Filzeinlage für Holzböden.

Verbrauch COM: 0,3 ml (H. 140 cm).

Verbrauch COL: 0,6 mq.

Für verstärkte Verpackungen siehe Innenseite des Umschlags.

### Niedriger Hocker (Sitzhöhe 66 cm)

Art.-Nr.	Gestell	Aufbau	Vorderer Bezug										kolli	m <sup>3</sup>	Kg				
			A	B	C	D	E	F	G	H	L1	L2				L3			
05SHA30	Aluminium lackiert	Polyurethan															1	0,25	7,8

Ein Hocker pro Frachtstück

### Hoher Hocker (Sitzhöhe 76 cm)

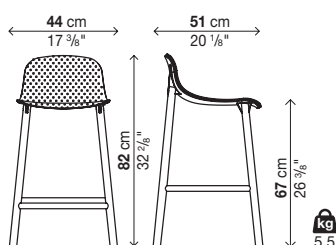
Art.-Nr.	Gestell	Aufbau	Vorderer Bezug										kolli	m <sup>3</sup>	Kg				
			A	B	C	D	E	F	G	H	L1	L2				L3			
05SHA31	Aluminium lackiert	Polyurethan															1	0,25	8,1

Ein Hocker pro Frachtstück

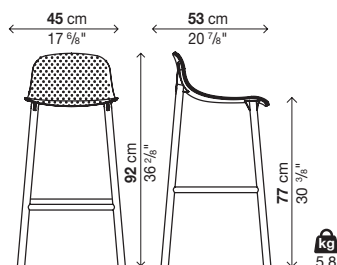
### Optionen

Art.-Nr.	Beschreibung	kolli	m <sup>3</sup>	Kg
02PIE10	Set Filzfüße	-	-	-

05SHA30



05SHA31



Seat stitching - only for versions: Valencia, COL, Scuba, Coast, Elmosoft, Elmotique

# SHARKY HOCKER (HOHE RÜCKENLEHNE)

## Untergestell aus Holz

### Ausführung Gestell:

Massives Buchenholz  
 Massives europäisches Eichenholz  
 Massives Eichenholz Farbe Nussbaum  
 Massivholz lackiert (in den Polyurethan-Farben)

### Ausführung Aufbau:

Polyurethan Weiß (P001)  
 Polyurethan Schwarz (P003)  
 Polyurethan Beige (P004)  
 Polyurethan Terracotta (P006)  
 Polyurethan Olivgrün (P008)  
 Polyurethan Rubinrot (P010)  
 Polyurethan Grau London (L011)  
 Polyurethan Wolkenblau (P012)

### Ausführung Kissen Sharky:

A = Valencia (Synthetische Leder), COM (Kundenstoff)  
 B = Field 2  
 C = Clara 2, Merit  
 D = Curmi, Patio, Remix 2  
 E = Canvas 2, Hero, Melange Nap  
 F = Regal, Scuba, Steelcut Trio 3  
 G = Divina Melange 3, Hallingdal 65  
 H = Twill Weave

### Ausführung Kissen Lips:

A = COM (Kundenstoff)  
 B = Field 2

### Anmerkung:

Achtung: Der Verpackung liegt auch ein Schutzelement für die Fußstütze aus Edelstahl bei, das nach Belieben angebracht werden kann.

Für Informationen zur Zusammensetzung der Stoffe siehe Innenseite des Umschlags.

Für Bestellungen COM siehe Innenseite des Umschlags.

### FÜßE:

Standard in Hartplastik. Auf Wunsch liefern wir Füße mit Filzeinlage für Holzböden.

Verbrauch Kissen Sharky: 0,55 ml (H. 140 cm).

Verbrauch Kissen Lips: 0,5 ml (H. 140 cm).

Für verstärkte Verpackungen siehe Innenseite des Umschlags.

### Niedriger Hocker (Sitzhöhe 66 cm)

Art.-Nr.	Gestell	Aufbau		kolli	m³	Kg
			Polyurethan			
05SHA03	Buchenholz			1	0,35	9,2
	Europäische Eiche, Farbe Nussbaum, Lackiertes Holz					

Ein Hocker pro Frachtstück

### Hoher Hocker (Sitzhöhe 76 cm)

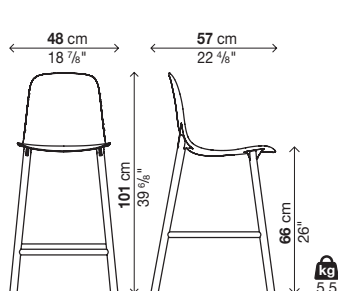
Art.-Nr.	Gestell	Aufbau		kolli	m³	Kg
			Polyurethan			
05SHA04	Buchenholz			1	0,25	9,5
	Europäische Eiche, Farbe Nussbaum, Lackiertes Holz					

Ein Hocker pro Frachtstück

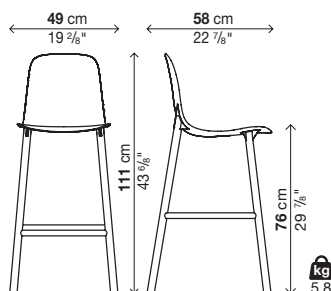
### Optionen

Art.-Nr.	Beschreibung	Bezug										kolli	m³	Kg	
		A	B	C	D	E	F	G	H	L1	L2				L3
20SHA02	Abnehmbares Kissen Sharky (nicht abziehbar)									-	-	-	1	0,02	1
20LIR01	Abnehmbares Kissen LIPS-R (nicht abziehbar)			-	-	-	-	-	-	-	-	-	1	0,01	1
02PIE07	Set Filzfüße												-	-	-

05SHA03



05SHA04

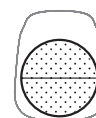


SHARKY (20SHA01)



kg  
0,6

LIPS-R (20LIR01)



kg  
0,6

# SHARKY HOCKER (HOHE RÜCKENLEHNE)

## Untergestell aus Holz - Vorderer Bezug (nicht abziehbar)

### Ausführung Gestell:

Massives Buchenholz  
 Massives europäisches Eichenholz  
 Massives Eichenholz Farbe Nussbaum  
 Massivholz lackiert (in den Polyurethan-Farben)

### Ausführung Aufbau:

Polyurethan Weiß (P001)  
 Polyurethan Schwarz (P003)  
 Polyurethan Beige (P004)  
 Polyurethan Terracotta (P006)  
 Polyurethan Olivgrün (P008)  
 Polyurethan Rubinrot (P010)  
 Polyurethan Grau London (L011)  
 Polyurethan Wolkenblau (P012)

### Ausführung des Bezugs:

A = Valencia (Synthetische Leder)  
 B = Field 2, COM (Kundenstoff)  
 C = Merit, COL (Kundenleder)  
 D = Clara 2, Patio, Regal, Remix 2  
 E = Curmi, Hero, Melange Nap  
 F = Canvas 2, Scuba, Steelcut Trio 3  
 G = Divina Melange 3, Hallingdal 65  
 H = Twill Weave  
 L1 = Coast (Nubukleder)  
 L2 = Elmosoft (Semianilinleder)  
 L3 = Elmotique (Anilinleder)

### Anmerkung:

Achtung: Der Verpackung liegt auch ein Schutzelement für die Fußstütze aus Edelstahl bei, das nach Belieben angebracht werden kann.

Für Informationen zur Zusammensetzung der Stoffe siehe Innenseite des Umschlags.

Für Aufträge mit COM/COL siehe Innenseite des Umschlags.

### FÜßE:

Standard in Hartplastik. Auf Wunsch liefern wir Füße mit Filzeinlage für Holzböden.

Verbrauch COM: 0,4 ml (H. 140 cm).

Verbrauch COL: 0,8 mq.

Für verstärkte Verpackungen siehe Innenseite des Umschlags.

### Niedriger Hocker (Sitzhöhe 66 cm)

Art.-Nr.	Gestell	Aufbau	Vorderer Bezug											kolli	m³	Kg	
			A	B	C	D	E	F	G	H	L1	L2	L3				
05SHA13	Buchenholz	Polyurethan															
	Europäische Eiche, Farbe Nussbaum, Lackiertes Holz	Polyurethan															1 0,35 11,1

Ein Hocker pro Frachtstück

### Hoher Hocker (Sitzhöhe 76 cm)

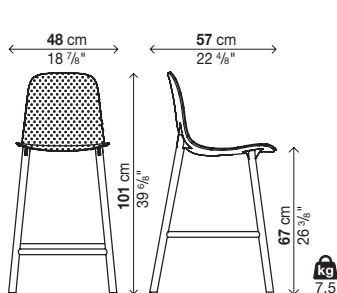
Art.-Nr.	Gestell	Aufbau	Vorderer Bezug											kolli	m³	Kg	
			A	B	C	D	E	F	G	H	L1	L2	L3				
05SHA14	Buchenholz	Polyurethan															
	Europäische Eiche, Farbe Nussbaum, Lackiertes Holz	Polyurethan															1 0,35 11,4

Ein Hocker pro Frachtstück

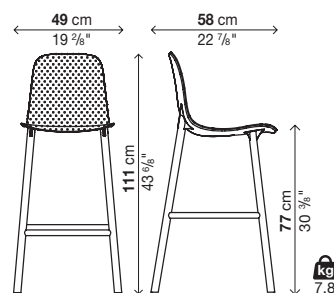
### Optionen

Art.-Nr.	Beschreibung	kolli	m³	Kg
02PIE07	Set Filzfüße	-	-	-

05SHA13



05SHA14



Seat stitching - only for versions: Valencia, COL, Scuba, Coast, Elmosoft, Elmotique

# SHARKY ALU HOCKER (HOHE RÜCKENLEHNE)

## Untergestell aus Aluminium

### Ausführung Gestell:

Lackiertes Aluminium (in den Polyurethan-Farben)

### Ausführung Aufbau:

Polyurethan Weiß (P001)  
 Polyurethan Schwarz (P003)  
 Polyurethan Beige (P004)  
 Polyurethan Terracotta (P006)  
 Polyurethan Olivgrün (P008)  
 Polyurethan Rubinrot (P010)  
 Polyurethan Grau London (L011)  
 Polyurethan Wolkenblau (P012)

### Ausführung Kissen Sharky:

A = Valencia (Synthetische Leder), COM (Kundenstoff)  
 B = Field 2  
 C = Clara 2, Merit  
 D = Curmi, Patio, Remix 2  
 E = Canvas 2, Hero, Melange Nap  
 F = Regal, Scuba, Steelcut Trio 3  
 G = Divina Melange 3, Hallingdal 65  
 H = Twill Weave

### Ausführung Kissen Lips:

A = COM (Kundenstoff)  
 B = Field 2

### Anmerkung:

Das Untergestell aus Aluminium besitzt Abdeckkappen aus Nylon in folgenden Farben:

- Weißes Untergestell = weiße Abdeckkappen
- Schwarzes Untergestell = schwarze Abdeckkappen
- Beiges Untergestell = beige Abdeckkappen
- Terracottabraunes Untergestell = schwarze Abdeckkappen
- Olivgrünes Untergestell = schwarze Abdeckkappen
- Rubinrot Untergestell = schwarze Abdeckkappen
- Grau London Untergestell = schwarze Abdeckkappen
- Wolkenblau Untergestell = schwarze Abdeckkappen

Achtung: Der Verpackung liegt auch ein Schutzelement für die Fußstütze aus Edelstahl bei, das nach Belieben angebracht werden kann.

Für Informationen zur Zusammensetzung der Stoffe siehe Innenseite des Umschlags.

Für Bestellungen COM siehe Innenseite des Umschlags.

### FÜßE:

Standard in Hartplastik. Auf Wunsch liefern wir Füße mit Filzeinlage für Holzböden.

Verbrauch Kissen Sharky: 0,55 ml (H. 140 cm).

Verbrauch Kissen Lips: 0,5 ml (H. 140 cm).

Für verstärkte Verpackungen siehe Innenseite des Umschlags.

### Niedriger Hocker (Sitzhöhe 66 cm)

Art.-Nr.	Gestell	Aufbau		
		kolli	m <sup>3</sup>	Kg
		Polyurethan		
<b>05SHA08</b>	Aluminium lackiert	1	0,35	6,3

Ein Hocker pro Frachtstück

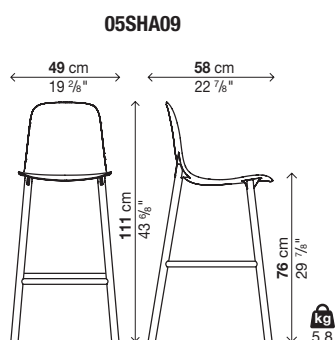
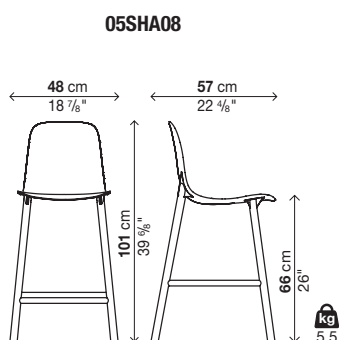
### Hoher Hocker (Sitzhöhe 76 cm)

Art.-Nr.	Gestell	Aufbau		
		kolli	m <sup>3</sup>	Kg
		Polyurethan		
<b>05SHA09</b>	Aluminium lackiert	1	0,4	7

Ein Hocker pro Frachtstück

### Optionen

Art.-Nr.	Beschreibung	Bezug											kolli	m <sup>3</sup>	Kg
		A	B	C	D	E	F	G	H	L1	L2	L3			
<b>20SHA02</b>	Abnehmbares Kissen Sharky (nicht abziehbar)									-	-	-	1	0,02	1
<b>20LIR01</b>	Abnehmbares Kissen LIPS-R (nicht abziehbar)			-	-	-	-	-	-	-	-	-	1	0,01	1
<b>02PIE10</b>	Set Filzfüße												-	-	-

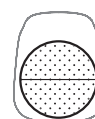


SHARKY (20SHA01)



kg  
0,6

LIPS-R (20LIR01)



kg  
0,6

# SHARKY ALU HOCKER (HOHE RÜCKENLEHNE)

## Untergestell aus Aluminium - Vorderer Bezug (nicht abziehbar)

### Ausführung Gestell:

Lackiertes Aluminium (in den Polyurethan-Farben)

### Ausführung Aufbau:

Polyurethan Weiß (P001)  
 Polyurethan Schwarz (P003)  
 Polyurethan Beige (P004)  
 Polyurethan Terracotta (P006)  
 Polyurethan Olivgrün (P008)  
 Polyurethan Rubinrot (P010)  
 Polyurethan Grau London (L011)  
 Polyurethan Wolkenblau (P012)

### Ausführung des Bezugs:

A = Valencia (Synthetische Leder)  
 B = Field 2, COM (Kundenstoff)  
 C = Merit, COL (Kundenleder)  
 D = Clara 2, Patio, Regal, Remix 2  
 E = Curmi, Hero, Melange Nap  
 F = Canvas 2, Scuba, Steelcut Trio 3  
 G = Divina Melange 3, Hallingdal 65  
 H = Twill Weave  
 L1 = Coast (Nubukleder)  
 L2 = Elmosoft (Semianilinleder)  
 L3 = Elmotique (Anilinleder)

### Anmerkung:

Das Untergestell aus Aluminium besitzt Abdeckkappen aus Nylon in folgenden Farben:

- Weißes Untergestell = weiße Abdeckkappen
- Schwarzes Untergestell = schwarze Abdeckkappen
- Beiges Untergestell = beige Abdeckkappen
- Terracottabraunes Untergestell = schwarze Abdeckkappen
- Olivgrünes Untergestell = schwarze Abdeckkappen
- Rubinrot Untergestell = schwarze Abdeckkappen
- Grau London Untergestell = schwarze Abdeckkappen
- Wolkenblau Untergestell = schwarze Abdeckkappen

Achtung: Der Verpackung liegt auch ein Schutzelement für die Fußstütze aus Edelstahl bei, das nach Belieben angebracht werden kann.

Für Informationen zur Zusammensetzung der Stoffe siehe Innenseite des Umschlags.

Für Aufträge mit COM/COL siehe Innenseite des Umschlags.

### FÜßE:

Standard in Hartplastik. Auf Wunsch liefern wir Füße mit Filzeinlage für Holzböden.

Verbrauch COM: 0,4 ml (H. 140 cm).

Verbrauch COL: 0,8 mq.

Für verstärkte Verpackungen siehe Innenseite des Umschlags.

### Niedriger Hocker (Sitzhöhe 66 cm)

Art.-Nr.	Gestell	Aufbau	Vorderer Bezug											kolli	m <sup>3</sup>	Kg			
			A	B	C	D	E	F	G	H	L1	L2	L3						
05SHA18	Aluminium lackiert	Polyurethan															1	0,35	7,8

Ein Hocker pro Frachtstück

### Hoher Hocker (Sitzhöhe 76 cm)

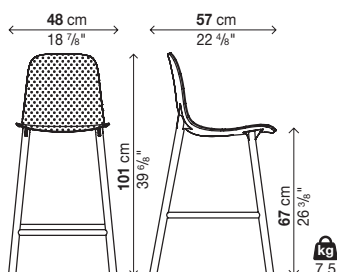
Art.-Nr.	Gestell	Aufbau	Vorderer Bezug											kolli	m <sup>3</sup>	Kg			
			A	B	C	D	E	F	G	H	L1	L2	L3						
05SHA19	Aluminium lackiert	Polyurethan															1	0,4	8,1

Ein Hocker pro Frachtstück

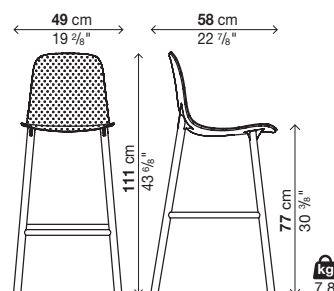
### Optionen

Art.-Nr.	Beschreibung	kolli	m <sup>3</sup>	Kg
02PIE10	Set Filzfüße	-	-	-

05SHA18



05SHA19



Seat stitching - only for versions: Valencia, COL, Scuba, Coast, Elmosoft, Elmotique

# SHARKY

## Piètement bois

### Finition piètement:

Hêtre massif  
Bois massif chêne européen  
Chêne massif teinté noyer  
Bois massif laqué (dans les coloris du polyuréthane)

### Finition coque:

Polyuréthane blanc (P001)  
Polyuréthane noir (P003)  
Polyuréthane beige (P004)  
Polyuréthane terre cuite (P006)  
Polyuréthane vert olive (P008)  
Polyuréthane rouge rubis (P010)  
Polyuréthane gris Londres (L011)  
Polyuréthane bleu poussière (P012)

### Finition revêtement coussin Sharky:

A = Valencia (cuir synthétique), COM (tissu Client)  
B = Field 2  
C = Clara 2, Merit  
D = Curmi, Patio, Remix 2  
E = Canvas 2, Hero, Melange Nap  
F = Regal, Scuba, Steelcut Trio 3  
G = Divina Melange 3, Hallingdal 65  
H = Twill Weave

### Finition revêtement coussin Lips:

A = COM (tissu Client)  
B = Field 2

### Notes:

Pour toute information sur les compositions des tissus, voir intérieur de la couverture.

Pour les commandes COM, voir intérieur de la couverture.

### PIEDS:

Standard en plastique dur. Sur demande, nous fournissons des pieds avec insert en feutre pour sols en bois.

Consommation coussin Sharky: 0,55 ml (H. 140 cm).

Consommation coussin Lips: 0,5 ml (H. 140 cm).

Emballages renforcés, voir intérieur de la couverture.

Code	Piètement	Coque	
		colis	m <sup>3</sup> Kg
		Polyuréthane	
05SHA01	Hêtre	1	0,38
	Chêne européen, Chêne teinté noyer, Bois laqué		

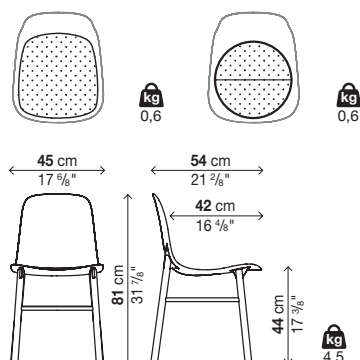
chaque colis 2 chaises (Kg. 11,5) / 1 chaise (Kg. 7)

### Optionals

Code	Description	Revêtement										colis	m <sup>3</sup>	Kg		
		A	B	C	D	E	F	G	H	L1	L2				L3	
20SHA01	Coussin amovible Sharky (non déhoussable)										-	-	-	1	0,02	1
20LIR01	Coussin amovible LIPS-R (non déhoussable)			-	-	-	-	-	-	-	-	-	-	1	0,01	1
02PIE07	Lot de patins en feutre													-	-	-

SHARKY (20SHA01)

LIPS-R (20LIR01)



# SHARKY

## Piètement bois - Revêtement avant (non déhoussable)

### Finition piètement:

Hêtre massif

Bois massif chêne européen

Chêne massif teinté noyer

Bois massif teinté (dans les coloris du polyuréthane)

### Finition coque:

Polyuréthane blanc (P001)

Polyuréthane noir (P003)

Polyuréthane beige (P004)

Polyuréthane terre cuite (P006)

Polyuréthane vert olive (P008)

Polyuréthane rouge rubis (P010)

Polyuréthane gris Londres (L011)

Polyuréthane bleu poussière (P012)

### Finition du revêtement:

A = Valencia (cuir synthétique)

B = Field 2, COM (tissu Client)

C = Merit, COL (cuir du Client)

D = Clara 2, Patio, Regal, Remix 2

E = Curmi, Hero, Melange Nap

F = Canvas 2, Scuba, Steelcut Trio 3

G = Divina Melange 3, Hallingdal 65

H = Twill Weave

L1 = Coast (cuir fleur corrigé)

L2 = Elmosoft (cuir semi-aniline)

L3 = Elmotique (cuir aniline)

### Notes:

Pour toute information sur les compositions des tissus, voir intérieur de la couverture.

Pour les commandes COM/COL, voir intérieur de la couverture.

### PIEDS:

Standard en plastique dur. Sur demande, nous fournissons des pieds avec insert en feutre pour sols en bois.

Consommation COM: 0,4 ml (H. 140 cm).

Consommation COL: 0,8 mq.

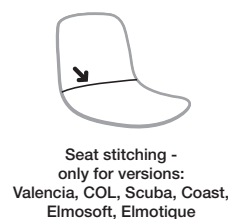
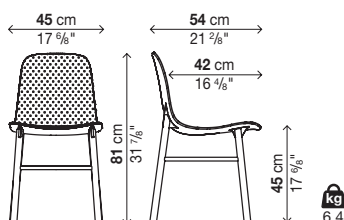
Emballages renforcés, voir intérieur de la couverture.

Code	Piètement	Coque	Revêtement avant											colis	m <sup>3</sup>	Kg		
			A	B	C	D	E	F	G	H	L1	L2	L3					
05SHA11	Hêtre	Polyuréthane															1	0,38
	Chêne européen, Chêne teinté noyer, Bois laqué	Polyuréthane																

chaque colis 2 chaises (Kg. 15,5) / 1 chaise (Kg. 9)

### Optionals

Code	Description	colis	m <sup>3</sup>	Kg
02PIE07	Lot de patins en feutre	-	-	-



# SHARKY ALU

## Piètement aluminium

### Finition piètement:

Aluminium laqué (dans les coloris du polyuréthane)

### Finition coque:

Polyuréthane blanc (P001)  
 Polyuréthane noir (P003)  
 Polyuréthane beige (P004)  
 Polyuréthane terre cuite (P006)  
 Polyuréthane vert olive (P008)  
 Polyuréthane rouge rubis (P010)  
 Polyuréthane gris Londres (L011)  
 Polyuréthane bleu poussière (P012)

### Finition revêtement coussin Sharky:

A = Valencia (cuir synthétique), COM (tissu Client)  
 B = Field 2  
 C = Clara 2, Merit  
 D = Curmi, Patio, Remix 2  
 E = Canvas 2, Hero, Melange Nap  
 F = Regal, Scuba, Steelcut Trio 3  
 G = Divina Melange 3, Hallingdal 65  
 H = Twill Weave

### Finition revêtement coussin Lips:

A = COM (tissu Client)  
 B = Field 2

### Notes:

Le piètement en aluminium a des patins en nylon disponibles dans les coloris suivants:

- piètement blanc = patins blancs
- piètement noir = patins noirs
- piètement beige = patins beige
- piètement terre cuite = patins noirs
- piètement vert olive = patins noirs
- piètement rouge rubis = patins noirs
- piètement gris Londres = patins noirs
- piètement bleu nuage = patins noirs

Pour toute information sur les compositions des tissus, voir intérieur de la couverture.

Pour les commandes COM, voir intérieur de la couverture.

### PIEDS:

Standard en plastique dur. Sur demande, nous fournissons des pieds avec insert en feutre pour sols en bois.

Consommation coussin Sharky: 0,55 ml (H. 140 cm).

Consommation coussin Lips: 0,5 ml (H. 140 cm).

Emballages renforcés, voir intérieur de la couverture.

Code	Piètement	Coque	
		colis	m <sup>3</sup> Kg
		Polyuréthane	
<b>05SHA02</b>	Aluminium laqué	1	0,38

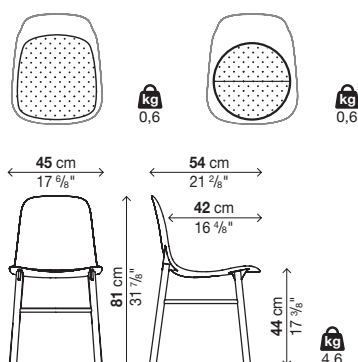
chaque colis 2 chaises (Kg. 11,6) / 1 chaise (Kg. 7,1)

### Optionals

Code	Description	Revêtement										colis	m <sup>3</sup>	Kg		
		A	B	C	D	E	F	G	H	L1	L2				L3	
<b>20SHA01</b>	Coussin amovible Sharky (non déhoussable)										-	-	-	1	0,02	1
<b>20LIR01</b>	Coussin amovible LIPS-R (non déhoussable)			-	-	-	-	-	-	-	-	-	-	1	0,01	1
<b>02PIE10</b>	Lot de patins en feutre													-	-	-

SHARKY (20SHA01)

LIPS-R (20LIR01)





# SHARKY ALU

## Piètement aluminium - Revêtement avant (non déhoussable)

### Finition piètement:

Aluminium laqué (dans les coloris du polyuréthane)

### Finition coque:

Polyuréthane blanc (P001)  
 Polyuréthane noir (P003)  
 Polyuréthane beige (P004)  
 Polyuréthane terre cuite (P006)  
 Polyuréthane vert olive (P008)  
 Polyuréthane rouge rubis (P010)  
 Polyuréthane gris Londres (L011)  
 Polyuréthane bleu poussière (P012)

### Finition du revêtement:

A = Valencia (cuir synthétique)  
 B = Field 2, COM (tissu Client)  
 C = Merit, COL (cuir du Client)  
 D = Clara 2, Patio, Regal, Remix 2  
 E = Curmi, Hero, Melange Nap  
 F = Canvas 2, Scuba, Steelcut Trio 3  
 G = Divina Melange 3, Hallingdal 65  
 H = Twill Weave  
 L1 = Coast (cuir fleur corrigé)  
 L2 = Elmosoft (cuir semi-aniline)  
 L3 = Elmotique (cuir aniline)

### Notes:

Le piètement en aluminium a des patins en nylon disponibles dans les coloris suivants:

- piètement blanc = patins blancs
- piètement noir = patins noirs
- piètement beige = patins beige
- piètement terre cuite = patins noirs
- piètement vert olive = patins noirs
- piètement rouge rubis = patins noirs
- piètement gris Londres = patins noirs
- piètement bleu nuage = patins noirs

Pour toute information sur les compositions des tissus, voir intérieur de la couverture.

Pour les commandes COM/COL, voir intérieur de la couverture.

### PIEDS:

Standard en plastique dur. Sur demande, nous fournissons des pieds avec insert en feutre pour sols en bois.

Consommation COM: 0,4 ml (H. 140 cm).

Consommation COL: 0,8 mq.

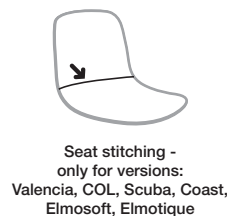
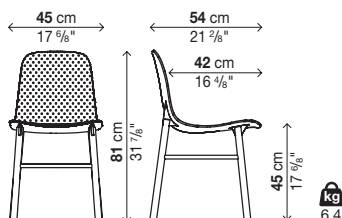
Emballages renforcés, voir intérieur de la couverture.

Code	Piètement	Coque	Revêtement avant										colis	m <sup>3</sup>	Kg		
			A	B	C	D	E	F	G	H	L1	L2				L3	
05SHA12	Aluminium laqué	Polyuréthane														1	0,38

chaque colis 2 chaises (Kg. 15,6) / 1 chaise (Kg. 9,1)

### Optionals

Code	Description	colis	m <sup>3</sup>	Kg
02PIE10	Lot de patins en feutre	-	-	-



# SHARKY TABOURET (DOSSIER BAS)

## Piètement bois

### Finition piètement:

Hêtre massif  
Bois massif chêne européen  
Chêne massif teinté noyer  
Bois massif laqué (dans les coloris du polyuréthane)

### Finition coque:

Polyuréthane blanc (P001)  
Polyuréthane noir (P003)  
Polyuréthane beige (P004)  
Polyuréthane terre cuite (P006)  
Polyuréthane vert olive (P008)  
Polyuréthane rouge rubis (P010)  
Polyuréthane gris Londres (L011)  
Polyuréthane bleu poussière (P012)

### Finition revêtement coussin Sharky:

A = Valencia (cuir synthétique), COM (tissu Client)  
B = Field 2  
C = Clara 2, Merit  
D = Curmi, Patio, Remix 2  
E = Canvas 2, Hero, Melange Nap  
F = Regal, Scuba, Steelcut Trio 3  
G = Divina Melange 3, Hallingdal 65  
H = Twill Weave

### Finition revêtement coussin Lips:

A = COM (tissu Client)  
B = Field 2

### Notes:

Attention: l'emballage contient un élément de protection repose-pieds en acier inox, à appliquer à votre discrétion.

Pour toute information sur les compositions des tissus, voir intérieur de la couverture.

Pour les commandes COM, voir intérieur de la couverture.

### PIEDS:

Standard en plastique dur. Sur demande, nous fournissons des pieds avec insert en feutre pour sols en bois.

Consommation coussin Sharky: 0,55 ml (H. 140 cm).

Consommation coussin Lips: 0,5 ml (H. 140 cm).

Emballages renforcés, voir intérieur de la couverture.

### Tabouret bas (hauteur assise 66 cm)

Code	Piètement	Coque		colis	m <sup>3</sup>	Kg
			Polyuréthane			
05SHA05	Hêtre			1	0,25	8,2
	Chêne européen, Chêne teinté noyer, Bois laqué					

chaque colis 1 tabouret

### Tabouret haut (hauteur assise 76 cm)

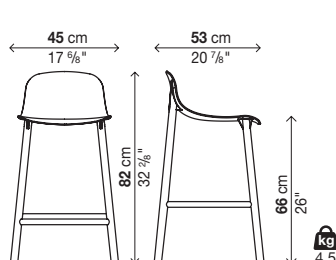
Code	Piètement	Coque		colis	m <sup>3</sup>	Kg
			Polyuréthane			
05SHA06	Hêtre			1	0,25	8,5
	Chêne européen, Chêne teinté noyer, Bois laqué					

chaque colis 1 tabouret

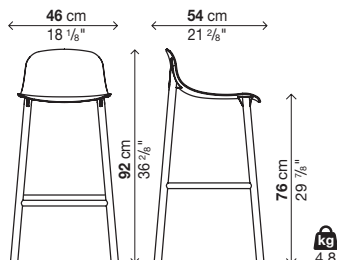
### Optionals

Code	Description	Revêtement											colis	m <sup>3</sup>	Kg
		A	B	C	D	E	F	G	H	L1	L2	L3			
20SHA02	Coussin amovible Sharky (non déhoussable)									-	-	-	1	0,02	1
20LIR01	Coussin amovible LIPS-R (non déhoussable)			-	-	-	-	-	-	-	-	-	1	0,01	1
02PIE07	Lot de patins en feutre	11											-	-	-

05SHA05



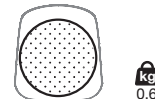
05SHA06



SHARKY (20SHA02)



LIPS-R (20LIR01)



# SHARKY TABOURET (DOSSIER BAS)

## Piètement bois - Revêtement avant (non déhoussable)

### Finition piètement:

Hêtre massif

Bois massif chêne européen

Chêne massif teinté noyer

Bois massif teinté (dans les coloris du polyuréthane)

### Finition coque:

Polyuréthane blanc (P001)

Polyuréthane noir (P003)

Polyuréthane beige (P004)

Polyuréthane terre cuite (P006)

Polyuréthane vert olive (P008)

Polyuréthane rouge rubis (P010)

Polyuréthane gris Londres (L011)

Polyuréthane bleu poussière (P012)

### Finition du revêtement:

A = Valencia (cuir synthétique)

B = Field 2, COM (tissu Client)

C = Merit, COL (cuir du Client)

D = Clara 2, Patio, Regal, Remix 2

E = Curmi, Hero, Melange Nap

F = Canvas 2, Scuba, Steelcut Trio 3

G = Divina Melange 3, Hallingdal 65

H = Twill Weave

L1 = Coast (cuir fleur corrigé)

L2 = Elmosoft (cuir semi-aniline)

L3 = Elmotique (cuir aniline)

### Notes:

Attention: l'emballage contient un élément de protection repose-pieds en acier inox, à appliquer à votre discrétion.

Pour toute information sur les compositions des tissus, voir intérieur de la couverture.

Pour les commandes COM/COL, voir intérieur de la couverture.

### PIEDS:

Standard en plastique dur. Sur demande, nous fournissons des pieds avec insert en feutre pour sols en bois.

Consommation COM: 0,3 ml (H. 140 cm).

Consommation COL: 0,6 mq.

Emballages renforcés, voir intérieur de la couverture.

### Tabouret bas (hauteur assise 66 cm)

Code	Piètement	Coque	Revêtement avant											colis	m <sup>3</sup>	Kg			
			A	B	C	D	E	F	G	H	L1	L2	L3						
05SHA15	Hêtre	Polyuréthane															1	0,25	9,7
	Chêne européen, Chêne teinté noyer, Bois laqué	Polyuréthane																	

chaque colis 1 tabouret

### Tabouret haut (hauteur assise 76 cm)

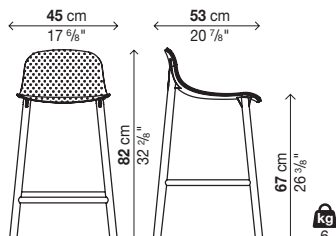
Code	Piètement	Coque	Revêtement avant											colis	m <sup>3</sup>	Kg			
			A	B	C	D	E	F	G	H	L1	L2	L3						
05SHA16	Hêtre	Polyuréthane															1	0,25	10
	Chêne européen, Chêne teinté noyer, Bois laqué	Polyuréthane																	

chaque colis 1 tabouret

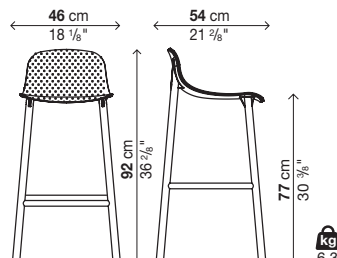
### Optionals

Code	Description	colis	m <sup>3</sup>	Kg
02PIE07	Lot de patins en feutre	-	-	-

05SHA15



05SHA16



Seat stitching -  
only for versions:  
Valencia, COL, Scuba, Coast,  
Elmosoft, Elmotique

# SHARKY ALU TABOURET (DOSSIER BAS)

## Piètement aluminium

### Finition piètement:

Aluminium laqué (dans les coloris du polyuréthane)

### Finition coque:

Polyuréthane blanc (P001)  
 Polyuréthane noir (P003)  
 Polyuréthane beige (P004)  
 Polyuréthane terre cuite (P006)  
 Polyuréthane vert olive (P008)  
 Polyuréthane rouge rubis (P010)  
 Polyuréthane gris Londres (L011)  
 Polyuréthane bleu poussière (P012)

### Finition revêtement coussin Sharky:

A = Valencia (cuir synthétique), COM (tissu Client)  
 B = Field 2  
 C = Clara 2, Merit  
 D = Curmi, Patio, Remix 2  
 E = Canvas 2, Hero, Melange Nap  
 F = Regal, Scuba, Steelcut Trio 3  
 G = Divina Melange 3, Hallingdal 65  
 H = Twill Weave

### Finition revêtement coussin Lips:

A = COM (tissu Client)  
 B = Field 2

### Notes:

Le piètement en aluminium a des patins en nylon disponibles dans les coloris suivants:

- piètement blanc = patins blancs
- piètement noir = patins noirs
- piètement beige = patins beige
- piètement terre cuite = patins noirs
- piètement vert olive = patins noirs
- piètement rouge rubis = patins noirs
- piètement gris Londres = patins noirs
- piètement bleu nuage = patins noirs

Attention: l'emballage contient un élément de protection repose-pieds en acier inox, à appliquer à votre discrétion.

Pour toute information sur les compositions des tissus, voir intérieur de la couverture.

Pour les commandes COM, voir intérieur de la couverture.

### PIEDS:

Standard en plastique dur. Sur demande, nous fournissons des pieds avec insert en feutre pour sols en bois.

Consommation coussin Sharky: 0,55 ml (H. 140 cm).

Consommation coussin Lips: 0,5 ml (H. 140 cm).

Emballages renforcés, voir intérieur de la couverture.

### Tabouret bas (hauteur assise 66 cm)

Code	Piètement	Coque	
		colis	m <sup>3</sup> Kg
		Polyuréthane	
<b>05SHA20</b>	Aluminium laqué	1	0,25 6,3

chaque colis 1 tabouret

### Tabouret haut (hauteur assise 76 cm)

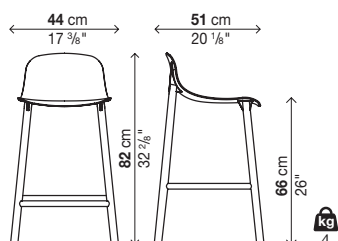
Code	Piètement	Coque	
		colis	m <sup>3</sup> Kg
		Polyuréthane	
<b>05SHA21</b>	Aluminium laqué	1	0,25 7

chaque colis 1 tabouret

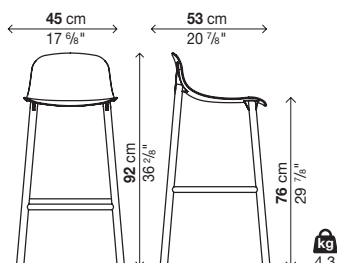
### Optionals

Code	Description	Revêtement										colis	m <sup>3</sup>	Kg	
		A	B	C	D	E	F	G	H	L1	L2				L3
<b>20SHA02</b>	Coussin amovible Sharky (non déhoussable)									-	-	-	1	0,02	1
<b>20LIR01</b>	Coussin amovible LIPS-R (non déhoussable)			-	-	-	-	-	-	-	-	-	1	0,01	1
<b>02PIE10</b>	Lot de patins en feutre												-	-	-

05SHA20



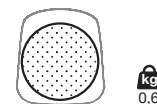
05SHA21



SHARKY (20SHA02)



LIPS-R (20LIR01)



# SHARKY ALU TABOURET (DOSSIER BAS)

## Piètement aluminium - Revêtement avant (non déhoussable)

### Finition piètement:

Aluminium laqué (dans les coloris du polyuréthane)

### Finition coque:

Polyuréthane blanc (P001)  
 Polyuréthane noir (P003)  
 Polyuréthane beige (P004)  
 Polyuréthane terre cuite (P006)  
 Polyuréthane vert olive (P008)  
 Polyuréthane rouge rubis (P010)  
 Polyuréthane gris Londres (L011)  
 Polyuréthane bleu poussière (P012)

### Finition du revêtement:

A = Valencia (cuir synthétique)  
 B = Field 2, COM (tissu Client)  
 C = Merit, COL (cuir du Client)  
 D = Clara 2, Patio, Regal, Remix 2  
 E = Curmi, Hero, Melange Nap  
 F = Canvas 2, Scuba, Steelcut Trio 3  
 G = Divina Melange 3, Hallingdal 65  
 H = Twill Weave  
 L1 = Coast (cuir fleur corrigé)  
 L2 = Elmosoft (cuir semi-aniline)  
 L3 = Elmotique (cuir aniline)

### Notes:

Le piètement en aluminium a des patins en nylon disponibles dans les coloris suivants:

- piètement blanc = patins blancs
- piètement noir = patins noirs
- piètement beige = patins beige
- piètement terre cuite = patins noirs
- piètement vert olive = patins noirs
- piètement rouge rubis = patins noirs
- piètement gris Londres = patins noirs
- piètement bleu nuage = patins noirs

Attention: l'emballage contient un élément de protection repose-pieds en acier inox, à appliquer à votre discrétion.

Pour toute information sur les compositions des tissus, voir intérieur de la couverture.

Pour les commandes COM/COL, voir intérieur de la couverture.

### PIEDS:

Standard en plastique dur. Sur demande, nous fournissons des pieds avec insert en feutre pour sols en bois.

Consommation COM: 0,3 ml (H. 140 cm).

Consommation COL: 0,6 mq.

Emballages renforcés, voir intérieur de la couverture.

### Tabouret bas (hauteur assise 66 cm)

Code	Piètement	Coque	Revêtement avant										colis	m <sup>3</sup>	Kg				
			A	B	C	D	E	F	G	H	L1	L2				L3			
05SHA30	Aluminium laqué	Polyuréthane															1	0,25	7,8

chaque colis 1 tabouret

### Tabouret haut (hauteur assise 76 cm)

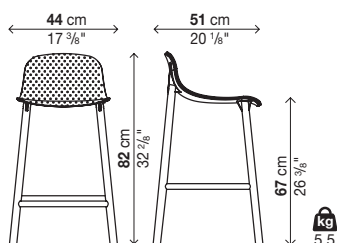
Code	Piètement	Coque	Revêtement avant										colis	m <sup>3</sup>	Kg				
			A	B	C	D	E	F	G	H	L1	L2				L3			
05SHA31	Aluminium laqué	Polyuréthane															1	0,25	8,1

chaque colis 1 tabouret

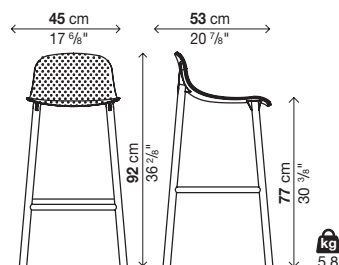
### Optionals

Code	Description	colis	m <sup>3</sup>	Kg
02PIE10	Lot de patins en feutre	-	-	-

05SHA30



05SHA31



Seat stitching - only for versions: Valencia, COL, Scuba, Coast, Elmosoft, Elmotique

# SHARKY TABOURET (DOSSIER HAUT)

## Piètement bois

### Finition piètement:

Hêtre massif

Bois massif chêne européen

Chêne massif teinté noyer

Bois massif laqué (dans les coloris du polyuréthane)

### Finition coque:

Polyuréthane blanc (P001)

Polyuréthane noir (P003)

Polyuréthane beige (P004)

Polyuréthane terre cuite (P006)

Polyuréthane vert olive (P008)

Polyuréthane rouge rubis (P010)

Polyuréthane gris Londres (L011)

Polyuréthane bleu poussière (P012)

### Finition revêtement coussin Sharky:

A = Valencia (cuir synthétique), COM (tissu Client)

B = Field 2

C = Clara 2, Merit

D = Curmi, Patio, Remix 2

E = Canvas 2, Hero, Melange Nap

F = Regal, Scuba, Steelcut Trio 3

G = Divina Melange 3, Hallingdal 65

H = Twill Weave

### Finition revêtement coussin Lips:

A = COM (tissu Client)

B = Field 2

### Notes:

Attention: l'emballage contient un élément de protection repose-pieds en acier inox, à appliquer à votre discrétion.

Pour toute information sur les compositions des tissus, voir intérieur de la couverture.

Pour les commandes COM, voir intérieur de la couverture.

### PIEDS:

Standard en plastique dur. Sur demande, nous fournissons des pieds avec insert en feutre pour sols en bois.

Consommation coussin Sharky: 0,55 ml (H. 140 cm).

Consommation coussin Lips: 0,5 ml (H. 140 cm).

Emballages renforcés, voir intérieur de la couverture.

### Tabouret bas (hauteur assise 66 cm)

Code	Piètement	Coque	
		colis	m <sup>3</sup> Kg
		Polyuréthane	
05SHA03	Hêtre	1	0,35 9,2
	Chêne européen, Chêne teinté noyer, Bois laqué		

chaque colis 1 tabouret

### Tabouret haut (hauteur assise 76 cm)

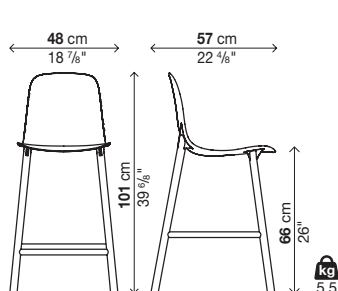
Code	Piètement	Coque	
		colis	m <sup>3</sup> Kg
		Polyuréthane	
05SHA04	Hêtre	1	0,25 9,5
	Chêne européen, Chêne teinté noyer, Bois laqué		

chaque colis 1 tabouret

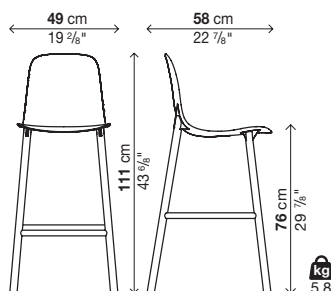
### Optionals

Code	Description	Revêtement										colis	m <sup>3</sup>	Kg		
		A	B	C	D	E	F	G	H	L1	L2				L3	
20SHA02	Coussin amovible Sharky (non déhoussable)										-	-	-	1	0,02	1
20LIR01	Coussin amovible LIPS-R (non déhoussable)			-	-	-	-	-	-	-	-	-	-	1	0,01	1
02PIE07	Lot de patins en feutre													-	-	-

05SHA03



05SHA04

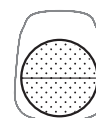


SHARKY (20SHA01)



kg  
0,6

LIPS-R (20LIR01)



kg  
0,6

# SHARKY TABOURET (DOSSIER HAUT)

## Piètement bois - Revêtement avant (non déhoussable)

### Finition piètement:

Hêtre massif  
Bois massif chêne européen  
Chêne massif teinté noyer  
Bois massif teinté (dans les coloris du polyuréthane)

### Finition coque:

Polyuréthane blanc (P001)  
Polyuréthane noir (P003)  
Polyuréthane beige (P004)  
Polyuréthane terre cuite (P006)  
Polyuréthane vert olive (P008)  
Polyuréthane rouge rubis (P010)  
Polyuréthane gris Londres (L011)  
Polyuréthane bleu poussière (P012)

### Finition du revêtement:

A = Valencia (cuir synthétique)  
B = Field 2, COM (tissu Client)  
C = Merit, COL (cuir du Client)  
D = Clara 2, Patio, Regal, Remix 2  
E = Curmi, Hero, Melange Nap  
F = Canvas 2, Scuba, Steelcut Trio 3  
G = Divina Melange 3, Hallingdal 65  
H = Twill Weave  
L1 = Coast (cuir fleur corrigé)  
L2 = Elmosoft (cuir semi-aniline)  
L3 = Elmotique (cuir aniline)

### Notes:

Attention: l'emballage contient un élément de protection repose-pieds en acier inox, à appliquer à votre discrétion.

Pour toute information sur les compositions des tissus, voir intérieur de la couverture.

Pour les commandes COM/COL, voir intérieur de la couverture.

### PIEDS:

Standard en plastique dur. Sur demande, nous fournissons des pieds avec insert en feutre pour sols en bois.

Consommation COM: 0,4 ml (H. 140 cm).

Consommation COL: 0,8 mq.

Emballages renforcés, voir intérieur de la couverture.

### Tabouret bas (hauteur assise 66 cm)

Code	Piètement	Coque	Revêtement avant											colis	m <sup>3</sup>	Kg			
			A	B	C	D	E	F	G	H	L1	L2	L3						
05SHA13	Hêtre	Polyuréthane															1	0,35	11,1
	Chêne européen, Chêne teinté noyer, Bois laqué	Polyuréthane																	

chaque colis 1 tabouret

### Tabouret haut (hauteur assise 76 cm)

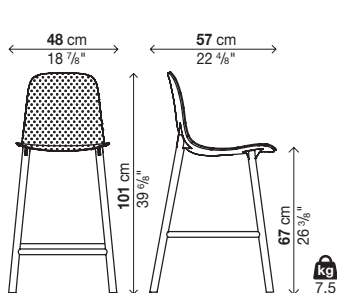
Code	Piètement	Coque	Revêtement avant											colis	m <sup>3</sup>	Kg			
			A	B	C	D	E	F	G	H	L1	L2	L3						
05SHA14	Hêtre	Polyuréthane															1	0,35	11,4
	Chêne européen, Chêne teinté noyer, Bois laqué	Polyuréthane																	

chaque colis 1 tabouret

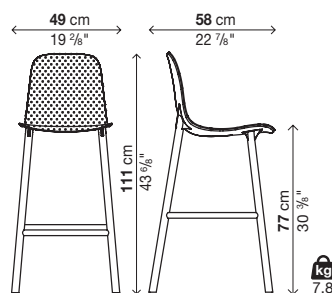
### Optionals

Code	Description	colis	m <sup>3</sup>	Kg
02PIE07	Lot de patins en feutre	-	-	-

05SHA13



05SHA14



Seat stitching -  
only for versions:  
Valencia, COL, Scuba, Coast,  
Elmosoft, Elmotique

# SHARKY ALU TABOURET (DOSSIER HAUT)

## Piètement aluminium

### Finition piètement:

Aluminium laqué (dans les coloris du polyuréthane)

### Finition coque:

Polyuréthane blanc (P001)  
 Polyuréthane noir (P003)  
 Polyuréthane beige (P004)  
 Polyuréthane terre cuite (P006)  
 Polyuréthane vert olive (P008)  
 Polyuréthane rouge rubis (P010)  
 Polyuréthane gris Londres (L011)  
 Polyuréthane bleu poussière (P012)

### Finition revêtement coussin Sharky:

A = Valencia (cuir synthétique), COM (tissu Client)  
 B = Field 2  
 C = Clara 2, Merit  
 D = Curmi, Patio, Remix 2  
 E = Canvas 2, Hero, Melange Nap  
 F = Regal, Scuba, Steelcut Trio 3  
 G = Divina Melange 3, Hallingdal 65  
 H = Twill Weave

### Finition revêtement coussin Lips:

A = COM (tissu Client)  
 B = Field 2

### Notes:

Le piètement en aluminium a des patins en nylon disponibles dans les coloris suivants:

- piètement blanc = patins blancs
- piètement noir = patins noirs
- piètement beige = patins beige
- piètement terre cuite = patins noirs
- piètement vert olive = patins noirs
- piètement rouge rubis = patins noirs
- piètement gris Londres = patins noirs
- piètement bleu nuage = patins noirs

Attention: l'emballage contient un élément de protection repose-pieds en acier inox, à appliquer à votre discrétion.

Pour toute information sur les compositions des tissus, voir intérieur de la couverture.

Pour les commandes COM, voir intérieur de la couverture.

### PIEDS:

Standard en plastique dur. Sur demande, nous fournissons des pieds avec insert en feutre pour sols en bois.

Consommation coussin Sharky: 0,55 ml (H. 140 cm).

Consommation coussin Lips: 0,5 ml (H. 140 cm).

Emballages renforcés, voir intérieur de la couverture.

### Tabouret bas (hauteur assise 66 cm)

Code	Piètement	Coque	
		colis	m <sup>3</sup> Kg
		Polyuréthane	
<b>05SHA08</b>	Aluminium laqué	1	0,35 6,3

chaque colis 1 tabouret

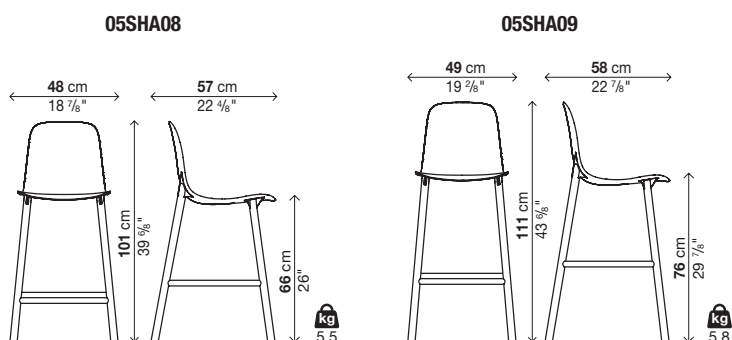
### Tabouret haut (hauteur assise 76 cm)

Code	Piètement	Coque	
		colis	m <sup>3</sup> Kg
		Polyuréthane	
<b>05SHA09</b>	Aluminium laqué	1	0,4 7

chaque colis 1 tabouret

### Optionals

Code	Description	Revêtement										colis	m <sup>3</sup>	Kg	
		A	B	C	D	E	F	G	H	L1	L2				L3
<b>20SHA02</b>	Coussin amovible Sharky (non déhoussable)									-	-	-	1	0,02	1
<b>20LIR01</b>	Coussin amovible LIPS-R (non déhoussable)			-	-	-	-	-	-	-	-	-	1	0,01	1
<b>02PIE10</b>	Lot de patins en feutre												-	-	-

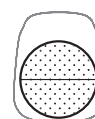


SHARKY (20SHA01)

LIPS-R (20LIR01)



kg  
0,6



kg  
0,6



# SHARKY ALU TABOURET (DOSSIER HAUT)

## Piètement aluminium - Revêtement avant (non déhoussable)

### Finition piètement:

Aluminium laqué (dans les coloris du polyuréthane)

### Finition coque:

Polyuréthane blanc (P001)  
 Polyuréthane noir (P003)  
 Polyuréthane beige (P004)  
 Polyuréthane terre cuite (P006)  
 Polyuréthane vert olive (P008)  
 Polyuréthane rouge rubis (P010)  
 Polyuréthane gris Londres (L011)  
 Polyuréthane bleu poussière (P012)

### Finition du revêtement:

A = Valencia (cuir synthétique)  
 B = Field 2, COM (tissu Client)  
 C = Merit, COL (cuir du Client)  
 D = Clara 2, Patio, Regal, Remix 2  
 E = Curmi, Hero, Melange Nap  
 F = Canvas 2, Scuba, Steelcut Trio 3  
 G = Divina Melange 3, Hallingdal 65  
 H = Twill Weave  
 L1 = Coast (cuir fleur corrigé)  
 L2 = Elmosoft (cuir semi-aniline)  
 L3 = Elmotique (cuir aniline)

### Notes:

Le piètement en aluminium a des patins en nylon disponibles dans les coloris suivants:

- piètement blanc = patins blancs
- piètement noir = patins noirs
- piètement beige = patins beige
- piètement terre cuite = patins noirs
- piètement vert olive = patins noirs
- piètement rouge rubis = patins noirs
- piètement gris Londres = patins noirs
- piètement bleu nuage = patins noirs

Attention: l'emballage contient un élément de protection repose-pieds en acier inox, à appliquer à votre discrétion.

Pour toute information sur les compositions des tissus, voir intérieur de la couverture.

Pour les commandes COM/COL, voir intérieur de la couverture.

### PIEDS:

Standard en plastique dur. Sur demande, nous fournissons des pieds avec insert en feutre pour sols en bois.

Consommation COM: 0,4 ml (H. 140 cm).

Consommation COL: 0,8 mq.

Emballages renforcés, voir intérieur de la couverture.

### Tabouret bas (hauteur assise 66 cm)

Code	Piètement	Coque	Revêtement avant										colis	m <sup>3</sup>	Kg			
			A	B	C	D	E	F	G	H	L1	L2				L3		
05SHA18	Aluminium laqué	Polyuréthane														1	0,35	7,8

chaque colis 1 tabouret

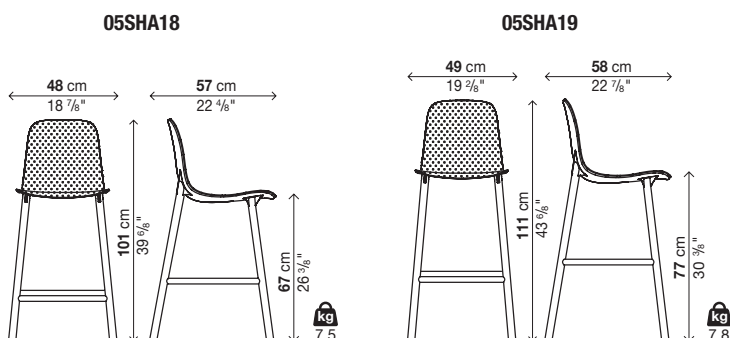
### Tabouret haut (hauteur assise 76 cm)

Code	Piètement	Coque	Revêtement avant										colis	m <sup>3</sup>	Kg			
			A	B	C	D	E	F	G	H	L1	L2				L3		
05SHA19	Aluminium laqué	Polyuréthane														1	0,4	8,1

chaque colis 1 tabouret

### Optionals

Code	Description	colis	m <sup>3</sup>	Kg
02PIE10	Lot de patins en feutre	-	-	-



Seat stitching - only for versions: Valencia, COL, Scuba, Coast, Elmosoft, Elmotique

# SHARKY

## Base de madera

### Acabado base:

Madera maciza de haya  
Madera maciza de roble europeo  
Madera maciza de roble teñido nogal  
Madera maciza barnizada (en los colores del poliuretano)

### Acabado asiento:

Poliuretano blanco (P001)  
Poliuretano negro (P003)  
Poliuretano beige (P004)  
Poliuretano terracota (P006)  
Poliuretano verde oliva (P008)  
Poliuretano rojo rubí (P010)  
Poliuretano gris Londres (L011)  
Poliuretano azul polvo (P012)

### Acabado revestimiento cojín Sharky:

A = Valencia (piel sintética), COM (tejido Cliente)  
B = Field 2  
C = Clara 2, Merit  
D = Curmi, Patio, Remix 2  
E = Canvas 2, Hero, Melange Nap  
F = Regal, Scuba, Steelcut Trio 3  
G = Divina Melange 3, Hallingdal 65  
H = Twill Weave

### Acabado revestimiento cojín Lips:

A = COM (tejido Cliente)  
B = Field 2

### Notas:

Para obtener información sobre las composiciones de los tejidos, ver lado interno de la portada.

Para pedidos COM ver lado interno de la portada.

### PATAS:

Estándar en plástico duro. Bajo pedido se suministran pies con inserto de fieltro para pisos de madera.

Consumo cojín Sharky: 0,55 ml (H. 140 cm).

Consumo cojín Lips: 0,5 ml (H. 140 cm).

Embalajes reforzados, ver lado interno de la portada.

Código	Base	Asiento	
		Poliuretano	pack m³ Kg
05SHA01	Haya		
	Roble europeo, Roble tenido nogal, Madera barnizada		1 0,38

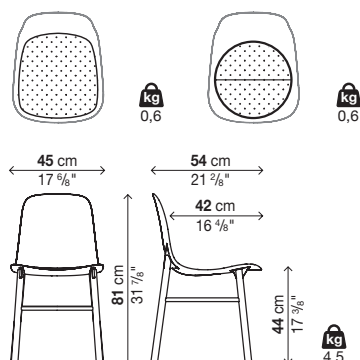
cada paquete contiene 2 sillas (Kg. 11,5) / 1 silla (Kg. 7)

### Opcionales

Código	Descripción	Revestimiento										pack m³ Kg	
		A	B	C	D	E	F	G	H	L1	L2		L3
20SHA01	Cojín extraíble Sharky (no desfundable)									-	-	-	1 0,02 1
20LIR01	Cojín extraíble LIPS-R (no desfundable)			-	-	-	-	-	-	-	-	-	1 0,01 1
02PIE07	Juego de almohadillas de fieltro												- - -

SHARKY (20SHA01)

LIPS-R (20LIR01)



# SHARKY

## Base de madera - Revestimiento frontal (no desenfundable)

### Acabado base:

Madera maciza de haya  
 Madera maciza de roble europeo  
 Madera maciza de roble teñido nogal  
 Madera maciza barnizada (en los colores del poliuretano)

### Acabado asiento:

Poliuretano blanco (P001)  
 Poliuretano negro (P003)  
 Poliuretano beige (P004)  
 Poliuretano terracota (P006)  
 Poliuretano verde oliva (P008)  
 Poliuretano rojo rubí (P010)  
 Poliuretano gris Londres (L011)  
 Poliuretano azul polvo (P012)

### Acabado revestimiento:

A = Valencia (piel sintética)  
 B = Field 2, COM (tejido Cliente)  
 C = Merit, COL (piel del Cliente)  
 D = Clara 2, Patio, Regal, Remix 2  
 E = Curmi, Hero, Melange Nap  
 F = Canvas 2, Scuba, Steelcut Trio 3  
 G = Divina Melange 3, Hallingdal 65  
 H = Twill Weave  
 L1 = Coast (piel flor corregida)  
 L2 = Elmosoft (piel semi-anilina)  
 L3 = Elmotique (piel anilina)

### Notas:

Para obtener información sobre las composiciones de los tejidos, ver lado interno de la portada.

Para pedidos COM/COL ver lado interno de la portada.

### PATAS:

Estándar en plástico duro. Bajo pedido se suministran pies con inserto de fieltro para pisos de madera.

Consumo COM: 0,4 ml (H. 140 cm).

Consumo COL: 0,8 mq.

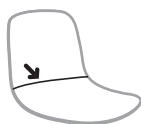
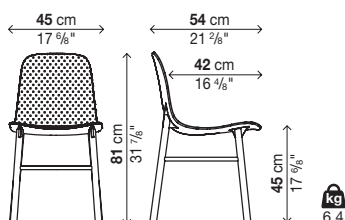
Embalajes reforzados, ver lado interno de la portada.

Código	Base	Asiento	Revestimiento frontal											pack	m <sup>3</sup>	Kg		
			A	B	C	D	E	F	G	H	L1	L2	L3					
05SHA11	Haya	Poliuretano															1	0,38
	Roble europeo, Roble tenido nogal, Madera barnizada	Poliuretano																

cada paquete contiene 2 sillas (Kg. 15,5) / 1 silla (Kg. 9)

### Opcionales

Código	Descripción	pack	m <sup>3</sup>	Kg
02PIE07	Juego de almohadillas de fieltro	-	-	-



Seat stitching -  
 only for versions:  
 Valencia, COL, Scuba, Coast,  
 Elmosoft, Elmotique

# SHARKY ALU

## Base aluminio

### Acabado base:

Aluminio barnizado (en los colores del poliuretano)

### Acabado asiento:

Poliuretano blanco (P001)  
 Poliuretano negro (P003)  
 Poliuretano beige (P004)  
 Poliuretano terracota (P006)  
 Poliuretano verde oliva (P008)  
 Poliuretano rojo rubí (P010)  
 Poliuretano gris Londres (L011)  
 Poliuretano azul polvo (P012)

### Acabado revestimiento cojín Sharky:

A = Valencia (piel sintética), COM (tejido Cliente)  
 B = Field 2  
 C = Clara 2, Merit  
 D = Curmi, Patio, Remix 2  
 E = Canvas 2, Hero, Melange Nap  
 F = Regal, Scuba, Steelcut Trio 3  
 G = Divina Melange 3, Hallingdal 65  
 H = Twill Weave

### Acabado revestimiento cojín Lips:

A = COM (tejido Cliente)  
 B = Field 2

### Notas:

La base de aluminio presenta tapones de nylon en los siguientes colores:

- base blanca = tapones blancos
- base negra = tapones negros
- base beige = tapones beige
- base terracota = tapones negros
- base verde oliva = tapones negros
- base rojo rubí = tapones negros
- base gris Londres = tapones negros
- base azul polvo = tapones negros

Para obtener información sobre las composiciones de los tejidos, ver lado interno de la portada.

Para pedidos COM ver lado interno de la portada.

### PATAS:

Estándar en plástico duro. Bajo pedido se suministran pies con inserto de fieltro para pisos de madera.

Consumo cojín Sharky: 0,55 ml (H. 140 cm).

Consumo cojín Lips: 0,5 ml (H. 140 cm).

Embalajes reforzados, ver lado interno de la portada.

Código	Base	Asiento		
		pack	m <sup>3</sup>	Kg
		Poliuretano		
<b>05SHA02</b>	Aluminio barnizado	1	0,38	

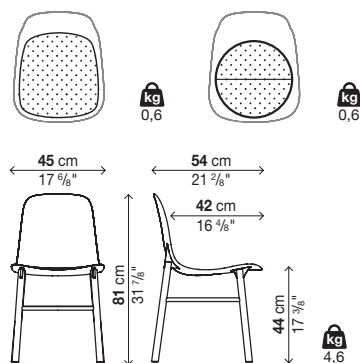
cada paquete contiene 2 sillas (Kg. 11,6) / 1 silla (Kg. 7,1)

### Opcionales

Código	Descripción	Revestimiento										pack	m <sup>3</sup>	Kg		
		A	B	C	D	E	F	G	H	L1	L2				L3	
<b>20SHA01</b>	Cojín extraíble Sharky (no desenfundable)										-	-	-	1	0,02	1
<b>20LIR01</b>	Cojín extraíble LIPS-R (no desenfundable)			-	-	-	-	-	-	-	-	-	-	1	0,01	1
<b>02PIE10</b>	Juego de almohadillas de fieltro													-	-	-

SHARKY (20SHA01)

LIPS-R (20LIR01)



# SHARKY ALU

## Base aluminio - Revestimiento frontal (no desenfundable)

### Acabado base:

Aluminio barnizado (en los colores del poliuretano)

### Acabado asiento:

Poliuretano blanco (P001)  
 Poliuretano negro (P003)  
 Poliuretano beige (P004)  
 Poliuretano terracota (P006)  
 Poliuretano verde oliva (P008)  
 Poliuretano rojo rubí (P010)  
 Poliuretano gris Londres (L011)  
 Poliuretano azul polvo (P012)

### Acabado revestimiento:

A = Valencia (piel sintética)  
 B = Field 2, COM (tejido Cliente)  
 C = Merit, COL (piel del Cliente)  
 D = Clara 2, Patio, Regal, Remix 2  
 E = Curmi, Hero, Melange Nap  
 F = Canvas 2, Scuba, Steelcut Trio 3  
 G = Divina Melange 3, Hallingdal 65  
 H = Twill Weave  
 L1 = Coast (piel flor corregida)  
 L2 = Elmosoft (piel semi-anilina)  
 L3 = Elmotique (piel anilina)

### Notas:

La base de aluminio presenta tapones de nylon en los siguientes colores:

- base blanca = tapones blancos
- base negra = tapones negros
- base beige = tapones beige
- base terracota = tapones negros
- base verde oliva = tapones negros
- base rojo rubí = tapones negros
- base gris Londres = tapones negros
- base azul polvo = tapones negros

Para obtener información sobre las composiciones de los tejidos, ver lado interno de la portada.

Para pedidos COM/COL ver lado interno de la portada.

### PATAS:

Estándar en plástico duro. Bajo pedido se suministran pies con inserto de fieltro para pisos de madera.

Consumo COM: 0,4 ml (H. 140 cm).

Consumo COL: 0,8 mq.

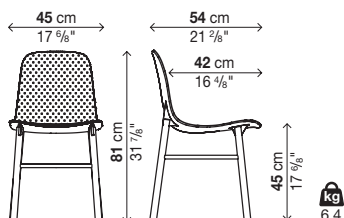
Embalajes reforzados, ver lado interno de la portada.

Código	Base	Asiento	Revestimiento frontal										pack	m <sup>3</sup>	Kg		
			A	B	C	D	E	F	G	H	L1	L2				L3	
05SHA12	Aluminio barnizado	Poliuretano													1	0,38	

cada paquete contiene 2 sillas (Kg. 15,6) / 1 silla (Kg. 9,1)

### Opcionales

Código	Descripción	pack	m <sup>3</sup>	Kg
02PIE10	Juego de almohadillas de fieltro	-	-	-



# SHARKY TABURETE (RESPALDO BAJO)

## Base de madera

### Acabado base:

Madera maciza de haya  
Madera maciza de roble europeo  
Madera maciza de roble teñido nogal  
Madera maciza barnizada (en los colores del poliuretano)

### Acabado asiento:

Poliuretano blanco (P001)  
Poliuretano negro (P003)  
Poliuretano beige (P004)  
Poliuretano terracota (P006)  
Poliuretano verde oliva (P008)  
Poliuretano rojo rubí (P010)  
Poliuretano gris Londres (L011)  
Poliuretano azul polvo (P012)

### Acabado revestimiento cojín Sharky:

A = Valencia (piel sintética), COM (tejido Cliente)  
B = Field 2  
C = Clara 2, Merit  
D = Curmi, Patio, Remix 2  
E = Canvas 2, Hero, Melange Nap  
F = Regal, Scuba, Steelcut Trio 3  
G = Divina Melange 3, Hallingdal 65  
H = Twill Weave

### Acabado revestimiento cojín Lips:

A = COM (tejido Cliente)  
B = Field 2

### Notas:

Atención: el embalaje contendrá un elemento de protección reposapiés de acero inoxidable, aplicable a elección.

Para obtener información sobre las composiciones de los tejidos, ver lado interno de la portada.

Para pedidos COM ver lado interno de la portada.

### PATAS:

Estándar en plástico duro. Bajo pedido se suministran pies con inserto de fieltro para pisos de madera.

Consumo cojín Sharky: 0,55 ml (H. 140 cm).

Consumo cojín Lips: 0,5 ml (H. 140 cm).

Embalajes reforzados, ver lado interno de la portada.

### Taburete bajo (altura asiento 66 cm)

Código	Base	Asiento		
		pack	m <sup>3</sup>	Kg
		Poliuretano		
05SHA05	Haya	1	0,25	8,2
	Roble europeo, Roble tenido nogal, Madera barnizada			

cada paquete contiene 1 taburete

### Taburete alto (altura asiento 76 cm)

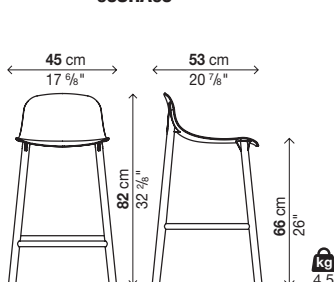
Código	Base	Asiento		
		pack	m <sup>3</sup>	Kg
		Poliuretano		
05SHA06	Haya	1	0,25	8,5
	Roble europeo, Roble tenido nogal, Madera barnizada			

cada paquete contiene 1 taburete

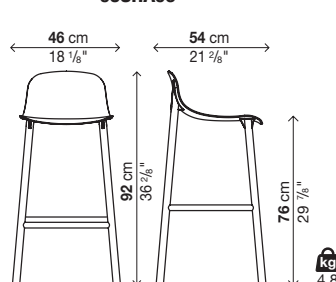
### Opcionales

Código	Descripción	Revestimiento										pack	m <sup>3</sup>	Kg	
		A	B	C	D	E	F	G	H	L1	L2				L3
20SHA02	Cojín extraíble Sharky (no desenfundable)									-	-	-	1	0,02	1
20LIR01	Cojín extraíble LIPS-R (no desenfundable)			-	-	-	-	-	-	-	-	-	1	0,01	1
02PIE07	Juego de almohadillas de fieltro												-	-	-

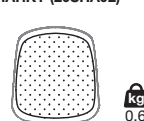
05SHA05



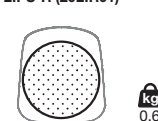
05SHA06



SHARKY (20SHA02)



LIPS-R (20LIR01)



# SHARKY TABURETE (RESPALDO BAJO)

## Base de madera - Revestimiento frontal (no desenfundable)

### Acabado base:

Madera maciza de haya  
Madera maciza de roble europeo  
Madera maciza de roble teñido nogal  
Madera maciza barnizada (en los colores del poliuretano)

### Acabado asiento:

Poliuretano blanco (P001)  
Poliuretano negro (P003)  
Poliuretano beige (P004)  
Poliuretano terracota (P006)  
Poliuretano verde oliva (P008)  
Poliuretano rojo rubí (P010)  
Poliuretano gris Londres (L011)  
Poliuretano azul polvo (P012)

### Acabado revestimiento:

A = Valencia (piel sintética)  
B = Field 2, COM (tejido Cliente)  
C = Merit, COL (piel del Cliente)  
D = Clara 2, Patio, Regal, Remix 2  
E = Curmi, Hero, Melange Nap  
F = Canvas 2, Scuba, Steelcut Trio 3  
G = Divina Melange 3, Hallingdal 65  
H = Twill Weave  
L1 = Coast (piel flor corregida)  
L2 = Elmosoft (piel semi-anilina)  
L3 = Elmotique (piel anilina)

### Notas:

Atención: el embalaje contendrá un elemento de protección reposapiés de acero inoxidable, aplicable a elección.

Para obtener información sobre las composiciones de los tejidos, ver lado interno de la portada.

Para pedidos COM/COL ver lado interno de la portada.

### PATAS:

Estándar en plástico duro. Bajo pedido se suministran pies con inserto de fieltro para pisos de madera.

Consumo COM: 0,3 ml (H. 140 cm).

Consumo COL: 0,6 mq.

Embalajes reforzados, ver lado interno de la portada.

### Taburete bajo (altura asiento 66 cm)

Código	Base	Asiento	Revestimiento frontal											pack	m <sup>3</sup>	Kg			
			A	B	C	D	E	F	G	H	L1	L2	L3						
05SHA15	Haya	Poliuretano															1	0,25	9,7
	Roble europeo, Roble teñido nogal, Madera barnizada	Poliuretano																	

cada paquete contiene 1 taburete

### Taburete alto (altura asiento 76 cm)

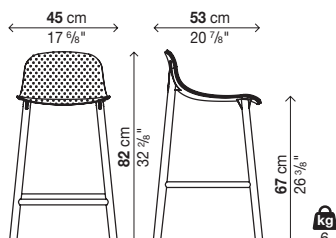
Código	Base	Asiento	Revestimiento frontal											pack	m <sup>3</sup>	Kg			
			A	B	C	D	E	F	G	H	L1	L2	L3						
05SHA16	Haya	Poliuretano															1	0,25	10
	Roble europeo, Roble teñido nogal, Madera barnizada	Poliuretano																	

cada paquete contiene 1 taburete

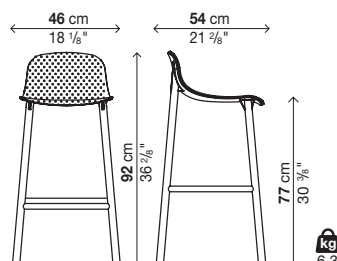
### Opcionales

Código	Descripción	pack	m <sup>3</sup>	Kg
02PIE07	Juego de almohadillas de fieltro	-	-	-

05SHA15



05SHA16



Seat stitching -  
only for versions:  
Valencia, COL, Scuba, Coast,  
Elmosoft, Elmotique

# SHARKY ALU TABURETE (RESPALDO BAJO)

## Base aluminio

### Acabado base:

Aluminio barnizado (en los colores del poliuretano)

### Acabado asiento:

Poliuretano blanco (P001)  
 Poliuretano negro (P003)  
 Poliuretano beige (P004)  
 Poliuretano terracota (P006)  
 Poliuretano verde oliva (P008)  
 Poliuretano rojo rubí (P010)  
 Poliuretano gris Londres (L011)  
 Poliuretano azul polvo (P012)

### Acabado revestimiento cojín Sharky:

A = Valencia (piel sintética), COM (tejido Cliente)  
 B = Field 2  
 C = Clara 2, Merit  
 D = Curmi, Patio, Remix 2  
 E = Canvas 2, Hero, Melange Nap  
 F = Regal, Scuba, Steelcut Trio 3  
 G = Divina Melange 3, Hallingdal 65  
 H = Twill Weave

### Acabado revestimiento cojín Lips:

A = COM (tejido Cliente)  
 B = Field 2

### Notas:

La base de aluminio presenta tapones de nylon en los siguientes colores:

- base blanca = tapones blancos
- base negra = tapones negros
- base beige = tapones beige
- base terracota = tapones negros
- base verde oliva = tapones negros
- base rojo rubí = tapones negros
- base gris Londres = tapones negros
- base azul polvo = tapones negros

Atención: el embalaje contendrá un elemento de protección reposapiés de acero inoxidable, aplicable a elección.

Para obtener información sobre las composiciones de los tejidos, ver lado interno de la portada.

Para pedidos COM ver lado interno de la portada.

### PATAS:

Estánder en plástico duro. Bajo pedido se suministran pies con inserto de fieltro para pisos de madera.

Consumo cojín Sharky: 0,55 ml (H. 140 cm).

Consumo cojín Lips: 0,5 ml (H. 140 cm).

Embalajes reforzados, ver lado interno de la portada.

### Taburete bajo (altura asiento 66 cm)

Código	Base	Asiento		
		pack	m <sup>3</sup>	Kg
		Poliuretano		
<b>05SHA20</b>	Aluminio barnizado	1	0,25	6,3

cada paquete contiene 1 taburete

### Taburete alto (altura asiento 76 cm)

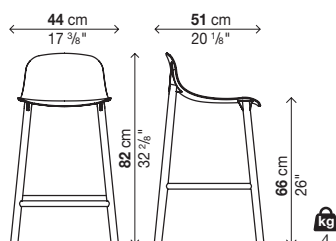
Código	Base	Asiento		
		pack	m <sup>3</sup>	Kg
		Poliuretano		
<b>05SHA21</b>	Aluminio barnizado	1	0,25	7

cada paquete contiene 1 taburete

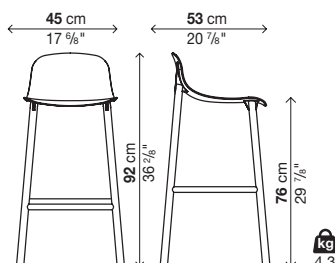
### Opcionales

Código	Descripción	Revestimiento											pack	m <sup>3</sup>	Kg
		A	B	C	D	E	F	G	H	L1	L2	L3			
<b>20SHA02</b>	Cojín extraíble Sharky (no desenfundable)									-	-	-	1	0,02	1
<b>20LIR01</b>	Cojín extraíble LIPS-R (no desenfundable)			-	-	-	-	-	-	-	-	-	1	0,01	1
<b>02PIE10</b>	Juego de almohadillas de fieltro												-	-	-

**05SHA20**



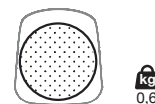
**05SHA21**



**SHARKY (20SHA02)**



**LIPS-R (20LIR01)**





# SHARKY ALU TABURETE (RESPALDO BAJO)

## Base aluminio - Revestimiento frontal (no desenfundable)

### Acabado base:

Aluminio barnizado (en los colores del poliuretano)

### Acabado asiento:

Poliuretano blanco (P001)  
 Poliuretano negro (P003)  
 Poliuretano beige (P004)  
 Poliuretano terracota (P006)  
 Poliuretano verde oliva (P008)  
 Poliuretano rojo rubí (P010)  
 Poliuretano gris Londres (L011)  
 Poliuretano azul polvo (P012)

### Acabado revestimiento:

A = Valencia (piel sintética)  
 B = Field 2, COM (tejido Cliente)  
 C = Merit, COL (piel del Cliente)  
 D = Clara 2, Patio, Regal, Remix 2  
 E = Curmi, Hero, Melange Nap  
 F = Canvas 2, Scuba, Steelcut Trio 3  
 G = Divina Melange 3, Hallingdal 65  
 H = Twill Weave  
 L1 = Coast (piel flor corregida)  
 L2 = Elmosoft (piel semi-anilina)  
 L3 = Elmotique (piel anilina)

### Notas:

La base de aluminio presenta tapones de nylon en los siguientes colores:  
 - base blanca = tapones blancos  
 - base negra = tapones negros  
 - base beige = tapones beige  
 - base terracota = tapones negros  
 - base verde oliva = tapones negros  
 - base rojo rubí = tapones negros  
 - base gris Londres = tapones negros  
 - base azul polvo = tapones negros

Atención: el embalaje contendrá un elemento de protección reposapiés de acero inoxidable, aplicable a elección.

Para obtener información sobre las composiciones de los tejidos, ver lado interno de la portada.

Para pedidos COM/COL ver lado interno de la portada.

### PATAS:

Estándar en plástico duro. Bajo pedido se suministran pies con inserto de fieltro para pisos de madera.

Consumo COM: 0,3 ml (H. 140 cm).

Consumo COL: 0,6 mq.

Embalajes reforzados, ver lado interno de la portada.

### Taburete bajo (altura asiento 66 cm)

Código	Base	Asiento	Revestimiento frontal										pack	m <sup>3</sup>	Kg			
			A	B	C	D	E	F	G	H	L1	L2				L3		
05SHA30	Aluminio barnizado	Poliuretano														1	0,25	7,8

cada paquete contiene 1 taburete

### Taburete alto (altura asiento 76 cm)

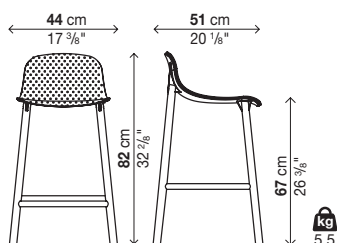
Código	Base	Asiento	Revestimiento frontal										pack	m <sup>3</sup>	Kg			
			A	B	C	D	E	F	G	H	L1	L2				L3		
05SHA31	Aluminio barnizado	Poliuretano														1	0,25	8,1

cada paquete contiene 1 taburete

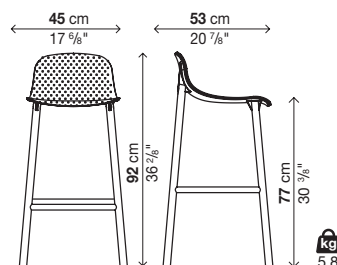
### Opcionales

Código	Descripción	pack	m <sup>3</sup>	Kg
02PIE10	Juego de almohadillas de fieltro	-	-	-

05SHA30



05SHA31



Seat stitching - only for versions: Valencia, COL, Scuba, Coast, Elmosoft, Elmotique

# SHARKY TABURETE (RESPALDO ALTO)

## Base de madera

### Acabado base:

Madera maciza de haya  
Madera maciza de roble europeo  
Madera maciza de roble teñido nogal  
Madera maciza barnizada (en los colores del poliuretano)

### Acabado asiento:

Poliuretano blanco (P001)  
Poliuretano negro (P003)  
Poliuretano beige (P004)  
Poliuretano terracota (P006)  
Poliuretano verde oliva (P008)  
Poliuretano rojo rubí (P010)  
Poliuretano gris Londres (L011)  
Poliuretano azul polvo (P012)

### Acabado revestimiento cojín Sharky:

A = Valencia (piel sintética), COM (tejido Cliente)  
B = Field 2  
C = Clara 2, Merit  
D = Curmi, Patio, Remix 2  
E = Canvas 2, Hero, Melange Nap  
F = Regal, Scuba, Steelcut Trio 3  
G = Divina Melange 3, Hallingdal 65  
H = Twill Weave

### Acabado revestimiento cojín Lips:

A = COM (tejido Cliente)  
B = Field 2

### Notas:

Atención: el embalaje contendrá un elemento de protección reposapiés de acero inoxidable, aplicable a elección.

Para obtener información sobre las composiciones de los tejidos, ver lado interno de la portada.

Para pedidos COM ver lado interno de la portada.

### PATAS:

Estándar en plástico duro. Bajo pedido se suministran pies con inserto de fieltro para pisos de madera.

Consumo cojín Sharky: 0,55 ml (H. 140 cm).

Consumo cojín Lips: 0,5 ml (H. 140 cm).

Embalajes reforzados, ver lado interno de la portada.

### Taburete bajo (altura asiento 66 cm)

Código	Base	Asiento		
		pack	m <sup>3</sup>	Kg
		Poliuretano		
05SHA03	Haya	1	0,35	9,2
	Roble europeo, Roble tenido nogal, Madera barnizada			

cada paquete contiene 1 taburete

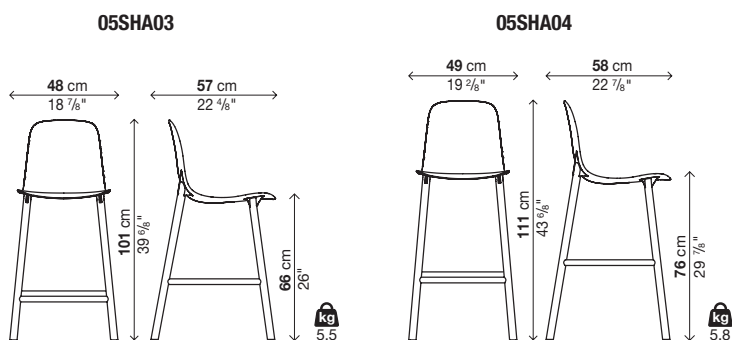
### Taburete alto (altura asiento 76 cm)

Código	Base	Asiento		
		pack	m <sup>3</sup>	Kg
		Poliuretano		
05SHA04	Haya	1	0,25	9,5
	Roble europeo, Roble tenido nogal, Madera barnizada			

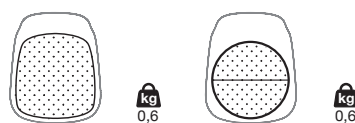
cada paquete contiene 1 taburete

### Opcionales

Código	Descripción	Revestimiento										pack	m <sup>3</sup>	Kg	
		A	B	C	D	E	F	G	H	L1	L2				L3
20SHA02	Cojín extraíble Sharky (no desenfundable)									-	-	-	1	0,02	1
20LIR01	Cojín extraíble LIPS-R (no desenfundable)			-	-	-	-	-	-	-	-	-	1	0,01	1
02PIE07	Juego de almohadillas de fieltro												-	-	-



SHARKY (20SHA01) LIPS-R (20LIR01)



# SHARKY TABURETE (RESPALDO ALTO)

## Base de madera - Revestimiento frontal (no desenfundable)

### Acabado base:

Madera maciza de haya  
Madera maciza de roble europeo  
Madera maciza de roble teñido nogal  
Madera maciza barnizada (en los colores del poliuretano)

### Acabado asiento:

Poliuretano blanco (P001)  
Poliuretano negro (P003)  
Poliuretano beige (P004)  
Poliuretano terracota (P006)  
Poliuretano verde oliva (P008)  
Poliuretano rojo rubí (P010)  
Poliuretano gris Londres (L011)  
Poliuretano azul polvo (P012)

### Acabado revestimiento:

A = Valencia (piel sintética)  
B = Field 2, COM (tejido Cliente)  
C = Merit, COL (piel del Cliente)  
D = Clara 2, Patio, Regal, Remix 2  
E = Curmi, Hero, Melange Nap  
F = Canvas 2, Scuba, Steelcut Trio 3  
G = Divina Melange 3, Hallingdal 65  
H = Twill Weave  
L1 = Coast (piel flor corregida)  
L2 = Elmosoft (piel semi-anilina)  
L3 = Elmotique (piel anilina)

### Notas:

Atención: el embalaje contendrá un elemento de protección reposapiés de acero inoxidable, aplicable a elección.

Para obtener información sobre las composiciones de los tejidos, ver lado interno de la portada.

Para pedidos COM/COL ver lado interno de la portada.

### PATAS:

Estándar en plástico duro. Bajo pedido se suministran pies con inserto de fieltro para pisos de madera.

Consumo COM: 0,4 ml (H. 140 cm).

Consumo COL: 0,8 mq.

Embalajes reforzados, ver lado interno de la portada.

### Taburete bajo (altura asiento 66 cm)

Código	Base	Asiento	Revestimiento frontal											pack	m <sup>3</sup>	Kg			
			A	B	C	D	E	F	G	H	L1	L2	L3						
05SHA13	Haya	Poliuretano															1	0,35	11,1
	Roble europeo, Roble teñido nogal, Madera barnizada	Poliuretano																	

cada paquete contiene 1 taburete

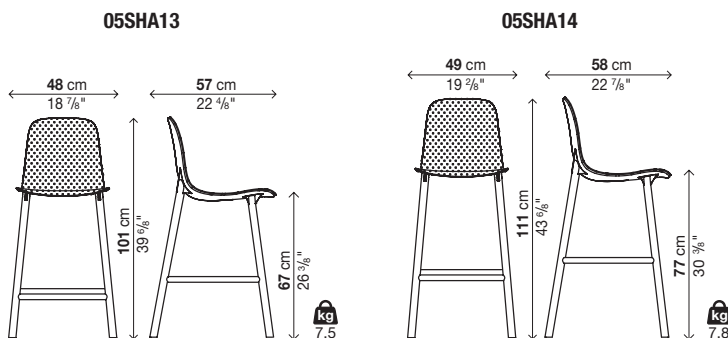
### Taburete alto (altura asiento 76 cm)

Código	Base	Asiento	Revestimiento frontal											pack	m <sup>3</sup>	Kg			
			A	B	C	D	E	F	G	H	L1	L2	L3						
05SHA14	Haya	Poliuretano															1	0,35	11,4
	Roble europeo, Roble teñido nogal, Madera barnizada	Poliuretano																	

cada paquete contiene 1 taburete

### Opcionales

Código	Descripción	pack	m <sup>3</sup>	Kg
02PIE07	Juego de almohadillas de fieltro	-	-	-



Seat stitching - only for versions: Valencia, COL, Scuba, Coast, Elmosoft, Elmotique

# SHARKY ALU TABURETE (RESPALDO ALTO)

## Base aluminio

### Acabado base:

Aluminio barnizado (en los colores del poliuretano)

### Acabado asiento:

Poliuretano blanco (P001)  
 Poliuretano negro (P003)  
 Poliuretano beige (P004)  
 Poliuretano terracota (P006)  
 Poliuretano verde oliva (P008)  
 Poliuretano rojo rubí (P010)  
 Poliuretano gris Londres (L011)  
 Poliuretano azul polvo (P012)

### Acabado revestimiento cojín Sharky:

A = Valencia (piel sintética), COM (tejido Cliente)  
 B = Field 2  
 C = Clara 2, Merit  
 D = Curmi, Patio, Remix 2  
 E = Canvas 2, Hero, Melange Nap  
 F = Regal, Scuba, Steelcut Trio 3  
 G = Divina Melange 3, Hallingdal 65  
 H = Twill Weave

### Acabado revestimiento cojín Lips:

A = COM (tejido Cliente)  
 B = Field 2

### Notas:

La base de aluminio presenta tapones de nylon en los siguientes colores:

- base blanca = tapones blancos
- base negra = tapones negros
- base beige = tapones beige
- base terracota = tapones negros
- base verde oliva = tapones negros
- base rojo rubí = tapones negros
- base gris Londres = tapones negros
- base azul polvo = tapones negros

Atención: el embalaje contendrá un elemento de protección reposapiés de acero inoxidable, aplicable a elección.

Para obtener información sobre las composiciones de los tejidos, ver lado interno de la portada.

Para pedidos COM ver lado interno de la portada.

### PATAS:

Estánder en plástico duro. Bajo pedido se suministran pies con inserto de fieltro para pisos de madera.

Consumo cojín Sharky: 0,55 ml (H. 140 cm).

Consumo cojín Lips: 0,5 ml (H. 140 cm).

Embalajes reforzados, ver lado interno de la portada.

### Taburete bajo (altura asiento 66 cm)

Código	Base	Asiento	
		pack	m <sup>3</sup> Kg
		Poliuretano	
<b>05SHA08</b>	Aluminio barnizado	1	0,35 6,3

cada paquete contiene 1 taburete

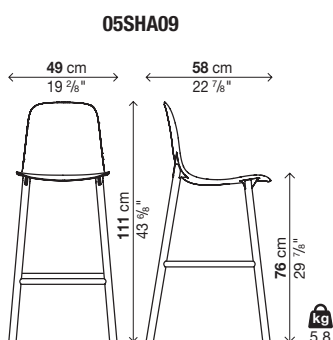
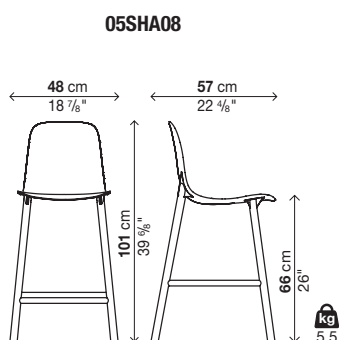
### Taburete alto (altura asiento 76 cm)

Código	Base	Asiento	
		pack	m <sup>3</sup> Kg
		Poliuretano	
<b>05SHA09</b>	Aluminio barnizado	1	0,4 7

cada paquete contiene 1 taburete

### Opcionales

Código	Descripción	Revestimiento											pack	m <sup>3</sup>	Kg
		A	B	C	D	E	F	G	H	L1	L2	L3			
<b>20SHA02</b>	Cojín extraíble Sharky (no desenfundable)									-	-	-	1	0,02	1
<b>20LIR01</b>	Cojín extraíble LIPS-R (no desenfundable)			-	-	-	-	-	-	-	-	-	1	0,01	1
<b>02PIE10</b>	Juego de almohadillas de fieltro												-	-	-

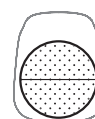


SHARKY (20SHA01)



kg  
0,6

LIPS-R (20LIR01)



kg  
0,6

# SHARKY ALU TABURETE (RESPALDO ALTO)

## Base aluminio - Revestimiento frontal (no desenfundable)

### Acabado base:

Aluminio barnizado (en los colores del poliuretano)

### Acabado asiento:

Poliuretano blanco (P001)  
 Poliuretano negro (P003)  
 Poliuretano beige (P004)  
 Poliuretano terracota (P006)  
 Poliuretano verde oliva (P008)  
 Poliuretano rojo rubí (P010)  
 Poliuretano gris Londres (L011)  
 Poliuretano azul polvo (P012)

### Acabado revestimiento:

A = Valencia (piel sintética)  
 B = Field 2, COM (tejido Cliente)  
 C = Merit, COL (piel del Cliente)  
 D = Clara 2, Patio, Regal, Remix 2  
 E = Curmi, Hero, Melange Nap  
 F = Canvas 2, Scuba, Steelcut Trio 3  
 G = Divina Melange 3, Hallingdal 65  
 H = Twill Weave  
 L1 = Coast (piel flor corregida)  
 L2 = Elmosoft (piel semi-anilina)  
 L3 = Elmotique (piel anilina)

### Notas:

La base de aluminio presenta tapones de nylon en los siguientes colores:

- base blanca = tapones blancos
- base negra = tapones negros
- base beige = tapones beige
- base terracota = tapones negros
- base verde oliva = tapones negros
- base rojo rubí = tapones negros
- base gris Londres = tapones negros
- base azul polvo = tapones negros

Atención: el embalaje contendrá un elemento de protección reposapiés de acero inoxidable, aplicable a elección.

Para obtener información sobre las composiciones de los tejidos, ver lado interno de la portada.

Para pedidos COM/COL ver lado interno de la portada.

### PATAS:

Estándar en plástico duro. Bajo pedido se suministran pies con inserto de fieltro para pisos de madera.

Consumo COM: 0,4 ml (H. 140 cm).

Consumo COL: 0,8 mq.

Embalajes reforzados, ver lado interno de la portada.

### Taburete bajo (altura asiento 66 cm)

Código	Base	Asiento	Revestimiento frontal											pack	m <sup>3</sup>	Kg		
			A	B	C	D	E	F	G	H	L1	L2	L3					
05SHA18	Aluminio barnizado	Poliuretano														1	0,35	7,8

cada paquete contiene 1 taburete

### Taburete alto (altura asiento 76 cm)

Código	Base	Asiento	Revestimiento frontal											pack	m <sup>3</sup>	Kg		
			A	B	C	D	E	F	G	H	L1	L2	L3					
05SHA19	Aluminio barnizado	Poliuretano														1	0,4	8,1

cada paquete contiene 1 taburete

### Opcionales

Código	Descripción	pack	m <sup>3</sup>	Kg
02PIE10	Juego de almohadillas de fieltro	-	-	-

