

LASVIT ASSEMBLY AND MAINTENANCE MANUAL



Decorative fixture CL002SB-1CE

Created: 2/7/2018

LASVIT s.r.o.

nám. Míru 55 / 473 01 Nový Bor / Czech Republic

T +420 481 120 810 / M +420 724 866 809 / F +420 481 120 622

www.lasvit.com

LASVIT Assembly and maintenance manual 2/19

CONTENTS

CONTENTS	2
GENERAL INFORMATION	3
PRODUCT DESCRIPTION	4
MAINTENANCE INSTRUCTION	5
CLEANING	6
EXCHANGE OF LIGHT SOURCE	7
ASSEMBLY MANUAL	9
ASSEMBLY	11
THE ELECTRICAL CONNECTION	14
Electrical connections	14
Installation of G9	17
INSTALLATION OF GLASS COMPONENTS	18

Please read this manual carefully and keep it in case you need assistance while performing maintenance and cleaning procedures.

LASVIT Assembly and maintenance manual 3/19

GENERAL INFORMATION

TECHNICAL PARAMETERS /

Product number / CL002SB-1CE
Input voltage / 220-240 V~50/60 Hz
Rated power (GU10) / total max. 80W
Light source / 10 x LED GU10 (1x LED GU10 max. 8W)
Rated power (G9) / total max. 16W
Light source / 4x LED G9 (1x LED G9 max. 4W)
Weight / approx. 200 kg
Protection rating / IP 20
Safety class / CLASS I
Dimension / ø1200x1637xOH3900 mm

THE PRODUCT COMPLIES TO FOLLOWING INTERNATIONAL
OR EUROPEAN STANDARDS

THE FIXTURE WAS DESIGNED AND MANUFACTURED BY /

LASVIT s.r.o.
nám. Míru 55, Nový Bor 473 01 Czech Republic
T +420 325 516 330
F +420 325 516 331
lasvit@lasvit.com
www.lasvit.com



THE PRODUCT MUST NOT BE REMOVED TOGETHER WITH MIXED RESIDENTIAL
WASTE, IT MUST BE POSTPONED TO DESIGNATED PLACES OR IN PLACE OF RETURN.

LASVIT Assembly and maintenance manual **PRODUCT DESCRIPTION**

4/19

Crystal glass fixture equipped with module Power LED.



LASVIT Assembly and maintenance manual 5/19

MAINTENANCE INSTRUCTION

PLEASE READ CAREFULLY FOLLOWING GENERAL RULES WHICH MUST BE RESPECTED DURING ALL MAINTENANCE PROCEDURES.

ATTENTION, BEFORE STARTING ANY MAINTENANCE PROCEDURE, ENSURE THAT THE POWER TO THE LIGHTING FIXTURE IS SWITCHED OFF AND SECURED AGAINST UNAUTHORIZED, NEGLIGENT OR ACCIDENTAL SWITCHING ON.

IN CASE OF FAILURE OTHER THAN LIGHT SOURCE, CONTACT PLEASE AUTHORIZED SERVICE OR MANUFACTURER. YOUR WARRANTY REPAIR WILL BE PROCEED ACCORDING TO GENERAL WARRANTY AND SALES CONDITIONS.

LASVIT Assembly and maintenance manual 6/19

CLEANING

ATTENTION, BEFORE STARTING ANY MAINTENANCE PROCEDURE, ENSURE THAT THE POWER TO THE LIGHTING FIXTURE IS SWITCHED OFF AND SECURED AGAINST UNAUTHORIZED, NEGLIGENT OR ACCIDENTAL SWITCHING ON.

DO NOT USE ANY SOLVENT BASED DETERGENTS CONTAINING ALCOHOL, METHYL ALCOHOL, DILUENTS, ACETONE, WHITE SPIRIT AND OTHER SUBSTANCES WHICH COULD DAMAGE THE SURFACE OF YOUR FIXTURE.

WE STRICTLY RECOMMEND TO USE SUITABLE CHANDELIER CLEANER SUCH AS SPARKLE PLENTY OR SIMILAR OR TO USE ONLY DRY METHOD USING THE DUSTER. DO NOT USE ABRASIVE SUBSTANCES OR ROUGH CLEANING SPONGE WHICH CAN SCRATCH THE SURFACE OF YOUR FIXTURE.

USING A VACUUM CLEANER IS NOT RECOMMENDED, THE HARD NOZZLE CAN SCRATCH THE SURFACE OF YOUR FIXTURE. USE A SUITABLE WORKING PLATFORM TO PREVENT ANY INJURY.

RECOMMENDED CLEANING EQUIPMENT

Soft rag, lint free, for cleaning the surface.

Soft solution of warm water and nonaggressive soap another soft rag, lint free, for drying the surface.

When cleaning the fixture start from the top continuing to the bottom.

Change the cleaning solution every time there is visible contamination.

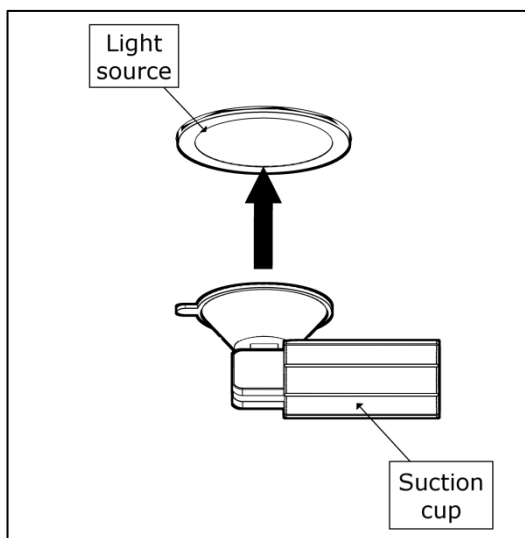
After completing the cleaning wait to complete drying before you connect the power supply.

LASVIT Assembly and maintenance manual

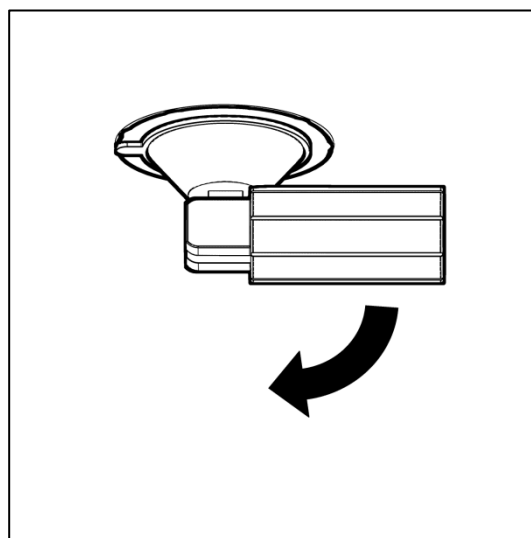
EXCHANGE OF LIGHT SOURCE

Light source type: 10 × LED reflector GU10 (8W), 2700K / for silver version 4000K

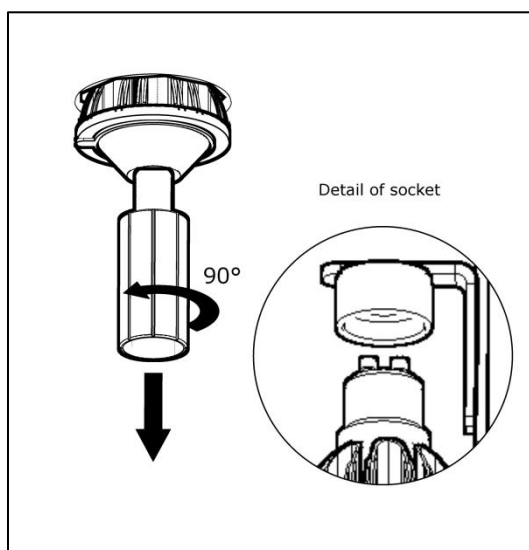
Step 1



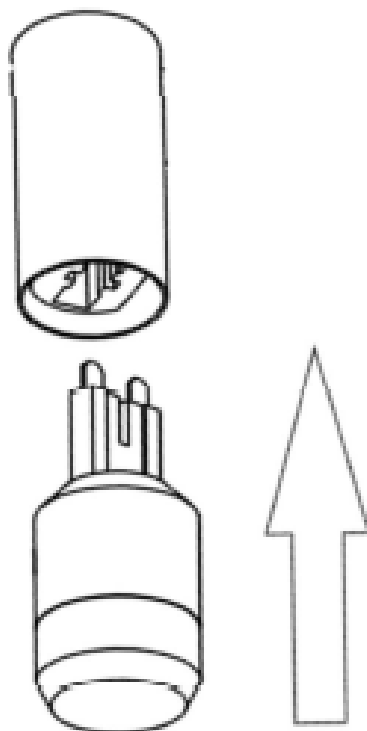
Step 2



Step 3



Light source type: 4 × LED G9 (4W), 2700K / for silver version 4000K



Replacement of the light source should be provided by qualified technician to prevent any damage to health or property.

LASVIT Assembly and maintenance manual 9/19

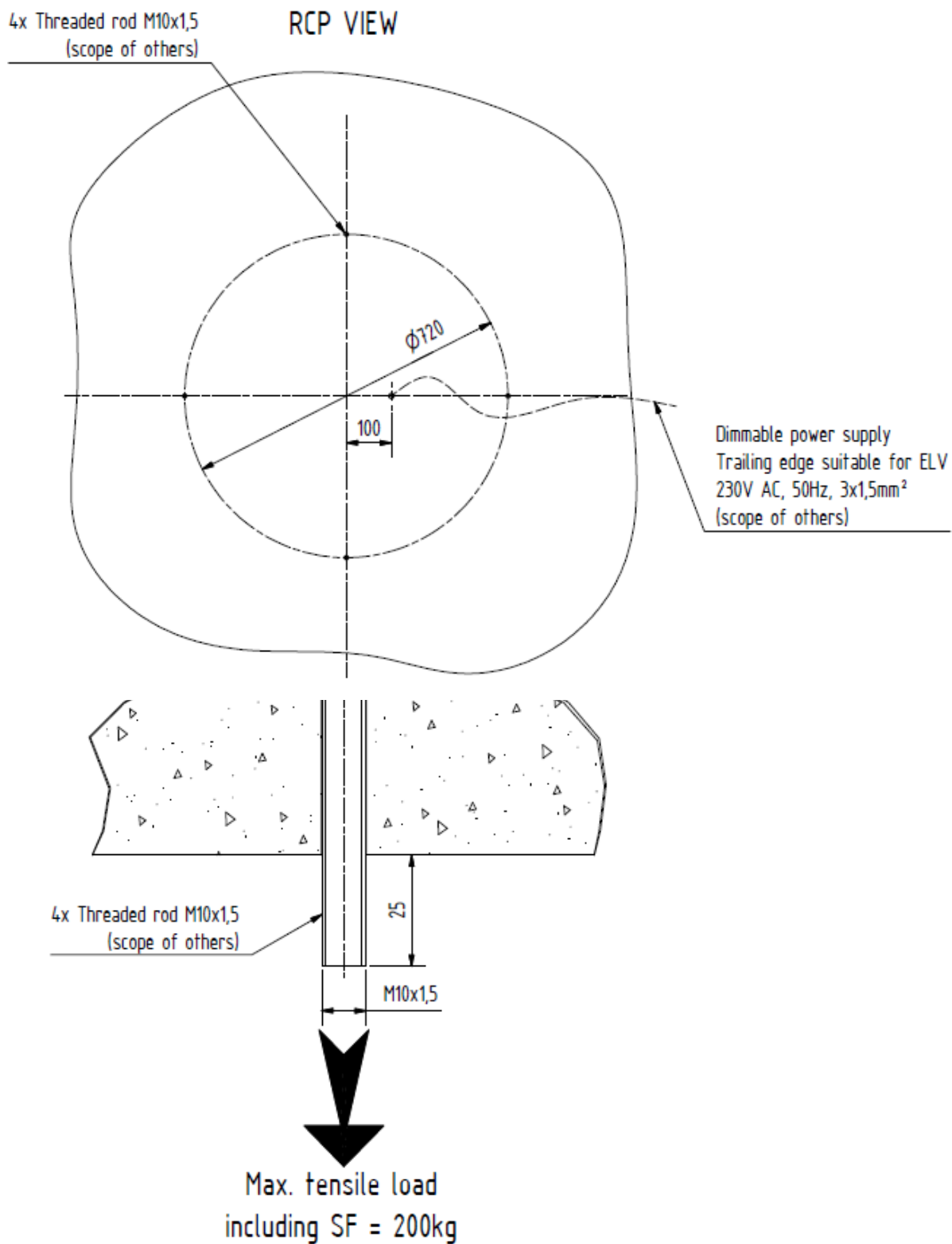
ASSEMBLY MANUAL

Installation of the chandelier should be performed by experienced and appropriately qualified personnel!

Assembling and connection to main power supply should be provided by authorized electrician only!
At least two people certified to perform work at height are needed for the assembly!

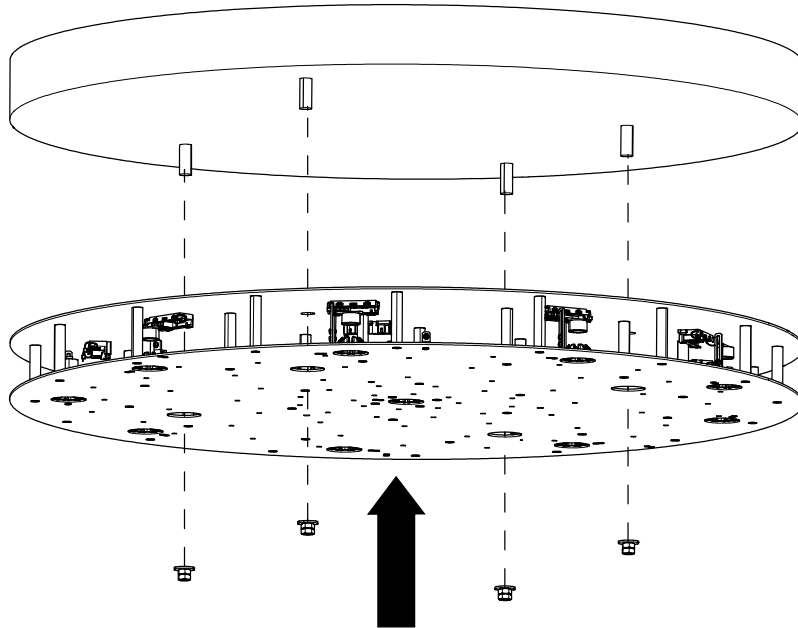
Before starting installation, ensure that the power to the lighting fixture is switched OFF and secured against unauthorized, negligent or accidental switching on.

Start installation from controlling of fixing points and power supply according to following diagram. Every fixing point must bear at least 200 kg of tensile strength.

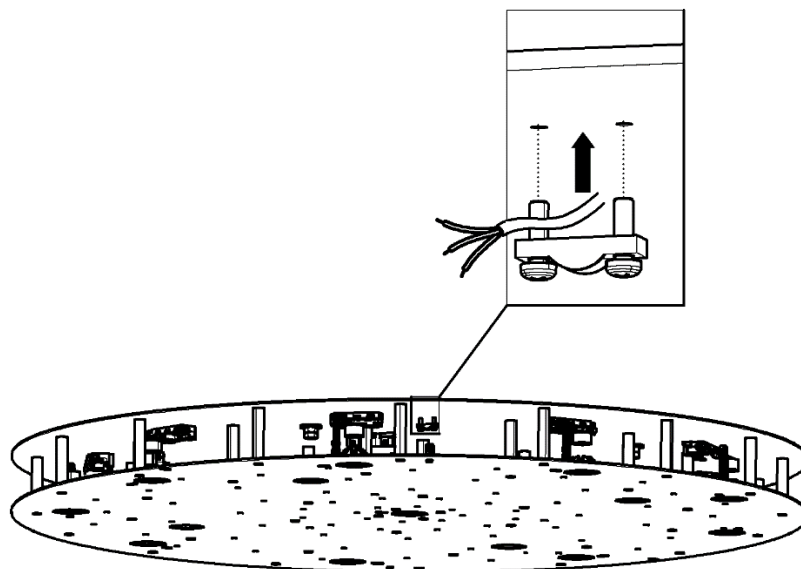


Please follow the steps below:

1. Unpack all components. Be aware not to damage the glass and decorative elements.
2. Install metal frame onto 4 × fixing points M10x1,5 and provide electrical cable trough the openings in construction (see sketch below).

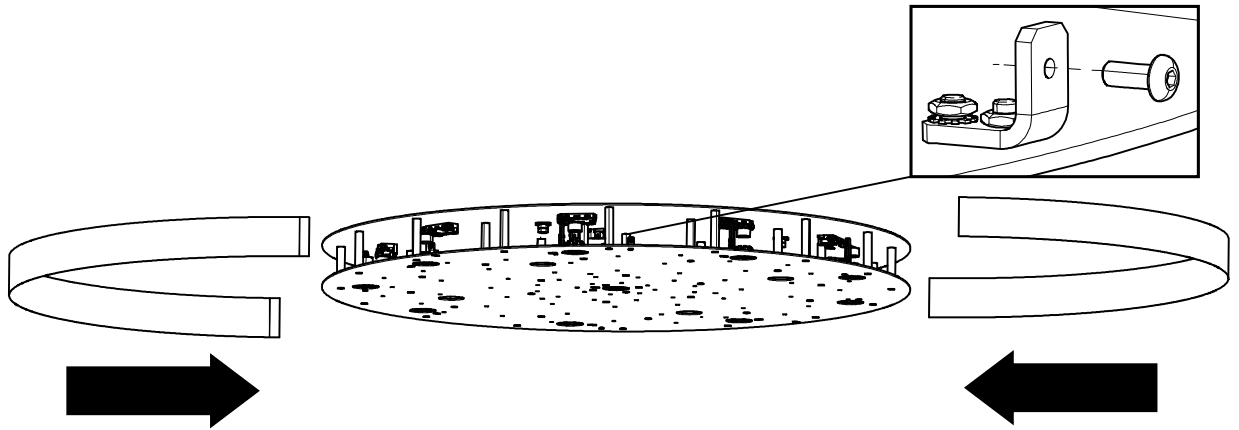


This drawing is exemplary and may differ in the amount of holes

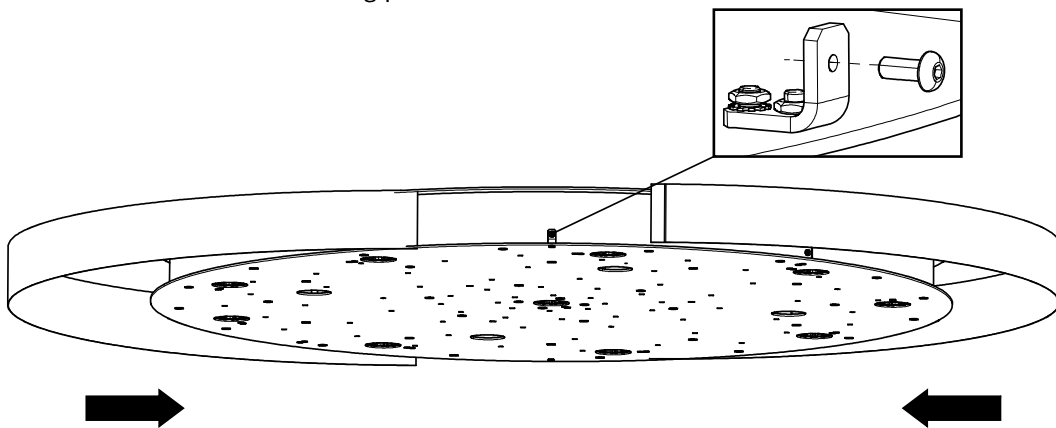


3. Fix the power cable to the top bearing plate by cable clamp(as shown above)

4. Install inner side cover plate to the bearing frame as shown on sketch below.

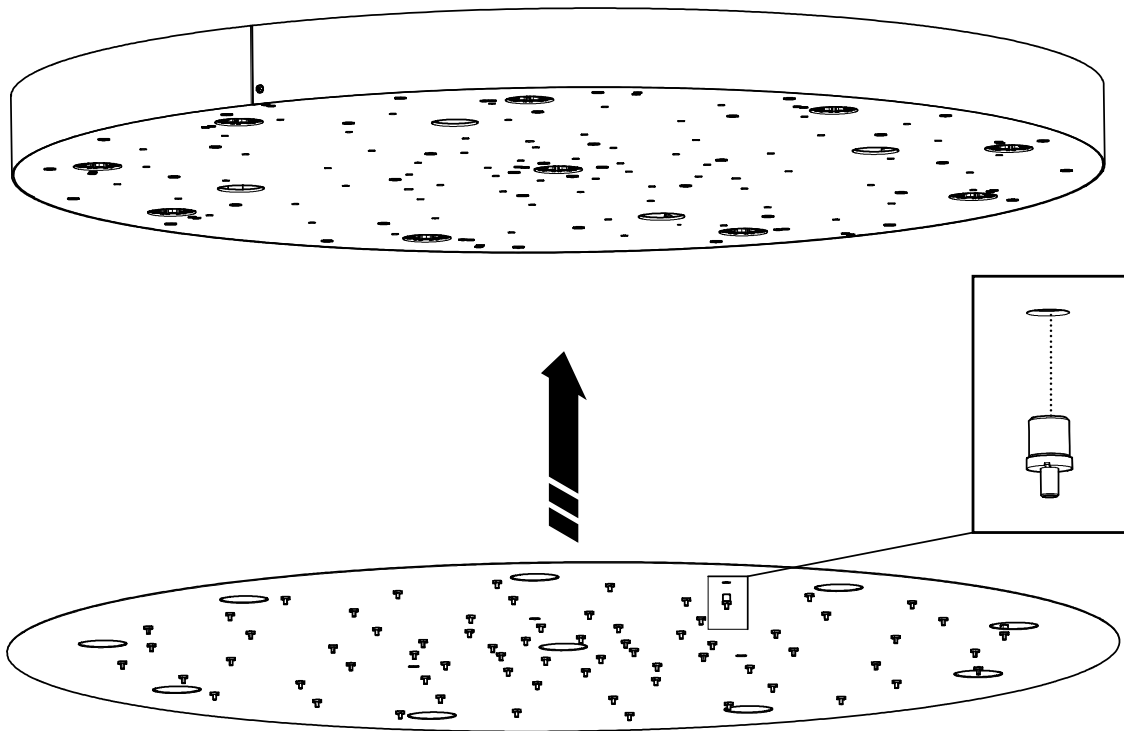


5. Install outside side polished stainless steel cover plate to the bearing frame as shown on sketch below, foil covered side should be facing outside, foil should be removed after installation of frame to fixing points.



6. Install the “LED G9 Modul” light sources (see “The electrical connections” clause).
7. Provide all electrical connections according to relevant wiring diagram (see “The electrical connections” clause).

8. Install lower polished stainless steel cover plates as shown on sketch below, foil covered side should be facing downward, foil should be removed after securing cover plates with wire grippers(see sketch below).



9. Install the “LED GU₁₀ reflector” light sources (see “The electrical connections” clause).
10. Install trimmings with glass components according to (see “Installation of glass components” clause).

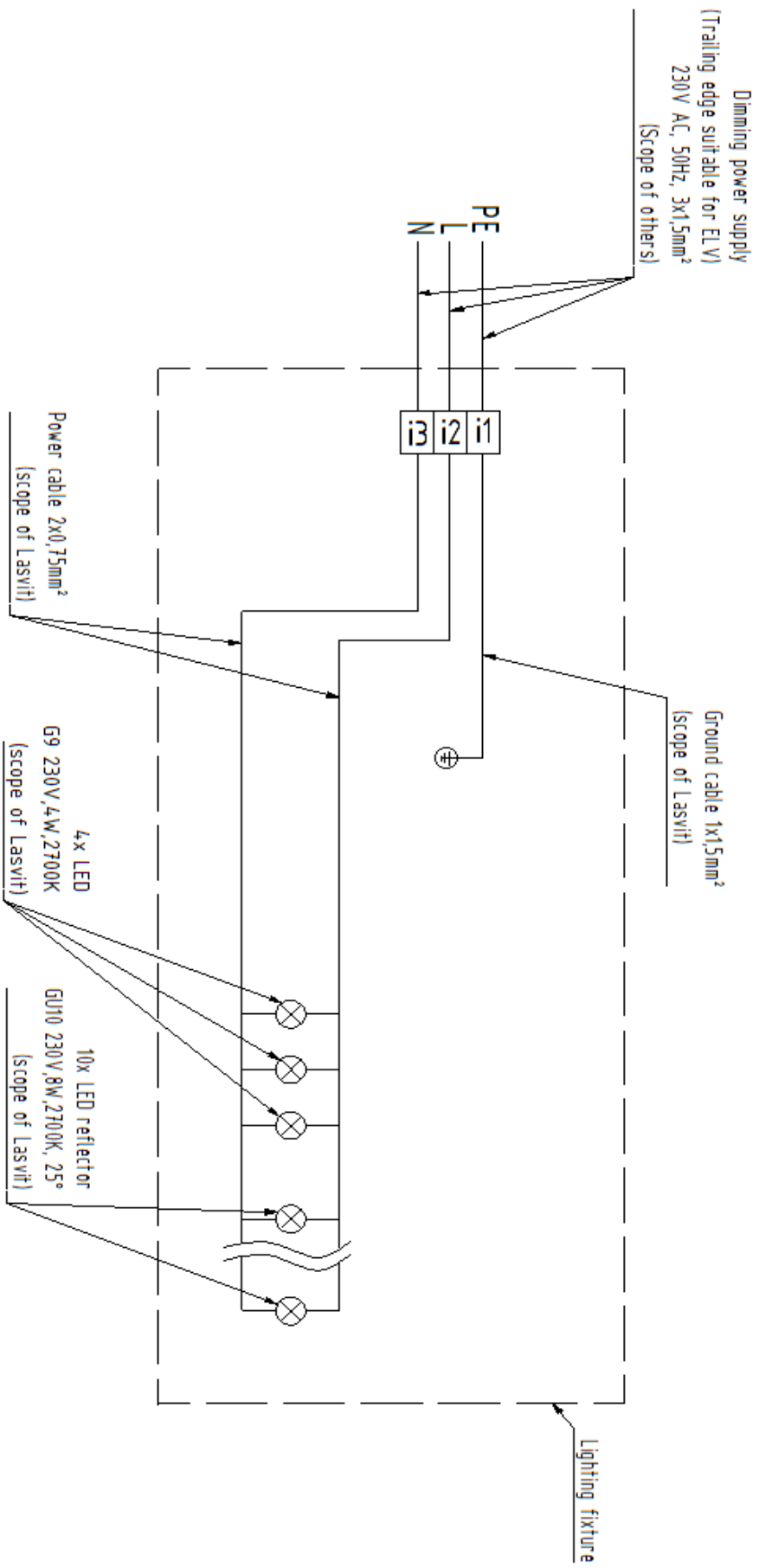
LASVIT Assembly and maintenance manual 14/19 **THE ELECTRICAL CONNECTION**

Electrical connections

All the electrical connections should be performed according to the wiring diagram on the next page.

Length of interconnecting cables should allow:

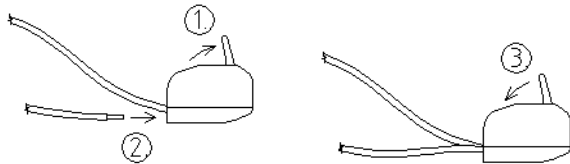
- cables for LED reflectors "GU10" to expose from according holes in the bearing frame by at least 100 mm;



All electrical connection should be performed using easy-locking WAGO terminal blocks (included in chandelier package).

Terminal block function:

1. Move the lever up (1)
2. Insert the wire into the terminal block (2)



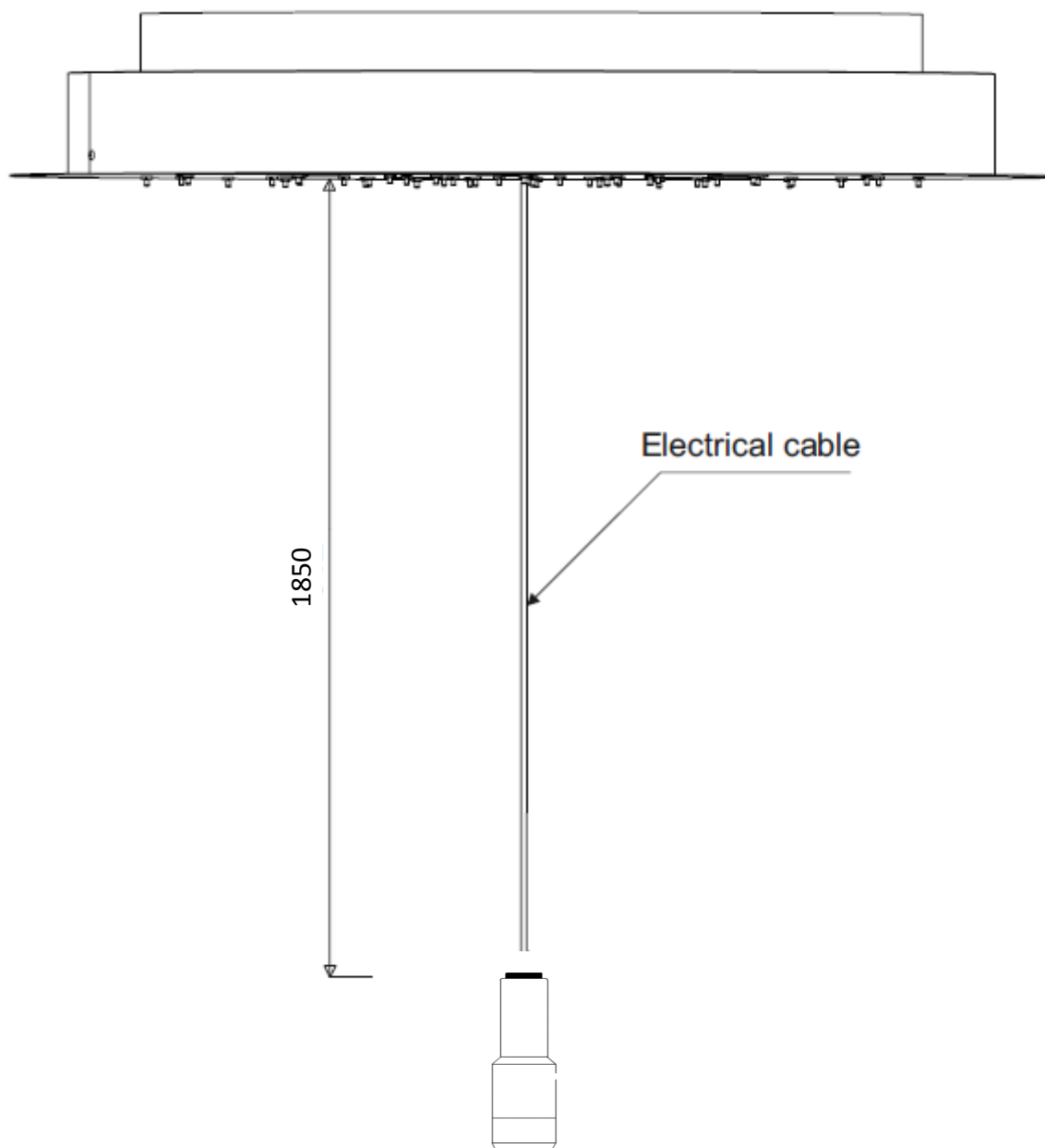
3. Move the lever down (3)

Make sure no wires were damaged during the assembly.

Protective conductor PE (green – yellow insulation) from power supply should be placed in to the terminal PE of chandelier.

Installation of LED G9

Install "LED G9" according to scheme below.

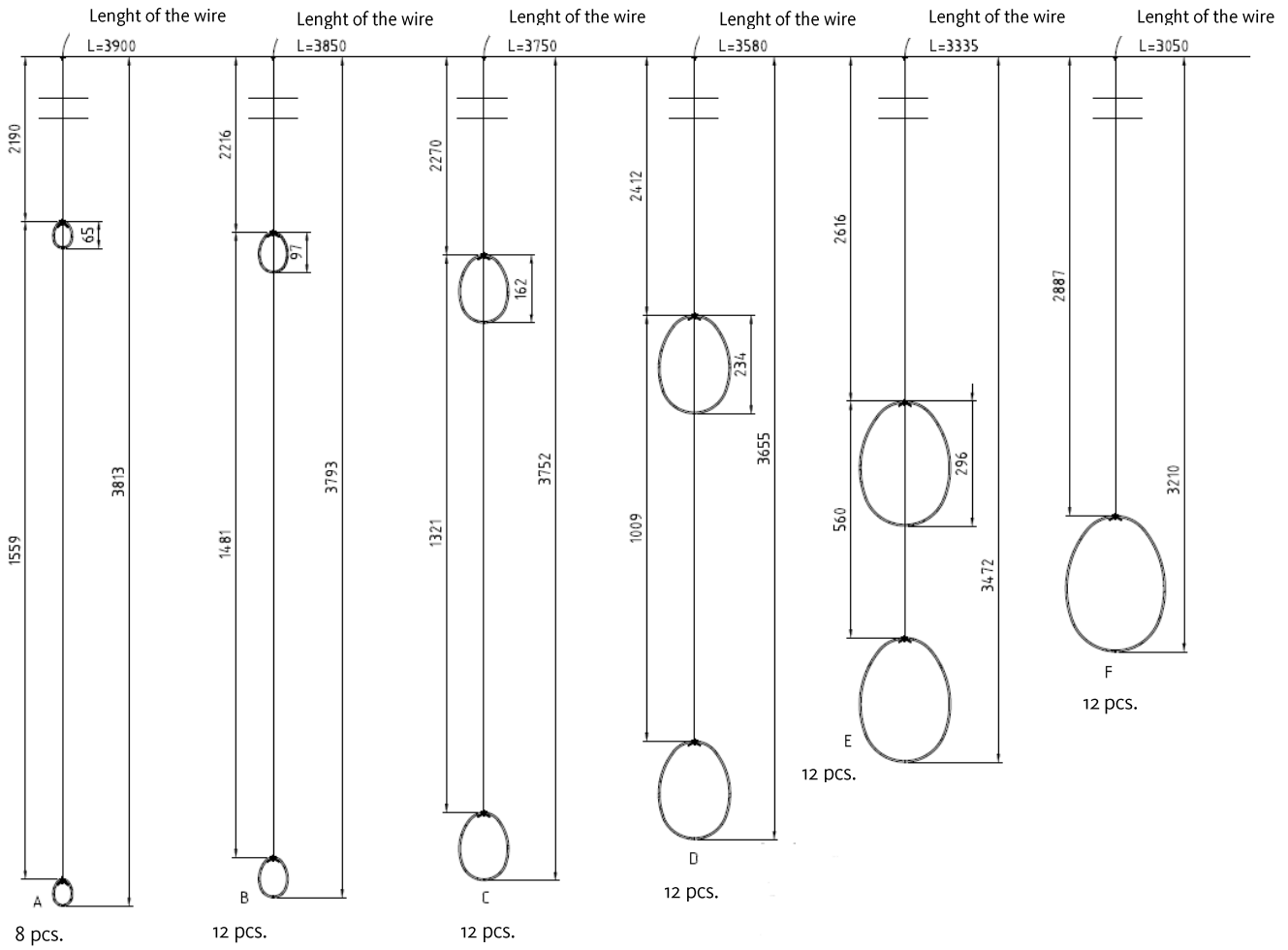


LASVIT Assembly and maintenance manual

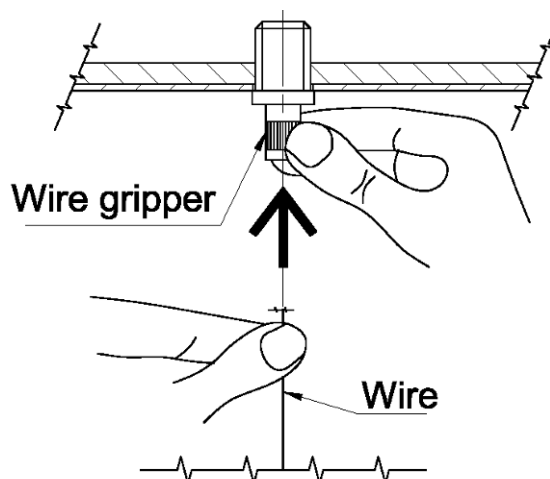
INSTALLATION OF GLASS COMPONENTS

White cotton gloves should be used for glass components mounting.

Install crystal glass components according scheme below.



Method of mounting glass shown in the drawing below:



After finish the glass installation chandelier should look like this:

