

LASVIT EMPRESS S MANUAL CE

Empress Collection
by Jakub Berdych



The Beauty Of Glass

EN


Contents

Technical parameters	1
Step-by-step installation	2
Fixture segments A, B, C	3
Canopy disassembly A	4
Canopy disassembly B	7
Fixing	11
Canopy assembly A+B	13
Canopy assembly A	15
Canopy disassembly C	17
Arms installation 1	21
Arms installation 2	24
Installation of upper arms	26
Electrical wiring	29
Canopy assembly B+C	33
Pressed glass trimmings	33
Light source replacement	36
Installation notes	38
Warranties and Warranty Terms and Conditions	39

Markings

 Warning

Warns you of high risk of damage to the fixture or injury.

 Risk of electrical injury.

Warns you of high risk of electrical injury should a live part be directly or indirectly touched.

 Notice

Warns you about possible damage to the fixture.

 Important

Important information regarding the usage of your fixture.



Note

Gives you general information about the usage of your fixture.

Please read this manual carefully and keep it in case you need assistance while performing maintenance and cleaning procedures.

LASVIT GLASS COLLECTIONS ARE UNIQUE AND HANDCRAFTED.

Tiny bubbles and other irregularities may occur due to the nature of the glass-blowing technique.

Thank you for purchasing a Lasvit Collection.

1/ Technical parameters

Item ID / CL024SA-1CE

Dimensions / Ø 855 mm x H 1220 mm x OH

Color variants / Copper, Violet

Weight / approx. 25 kg

Input voltage / 220 – 240 V AC, 50 – 60 Hz


Rated power / max. 58,5 W


Light source / 15 × LED E14, 3,5 W; 1 × LED E27, 6 W


Protection rating / IP 20


Safety class / CLASS I


2/ Step-by-step installation


 Before starting any procedures make sure that the power to the lighting fixture is switched OFF and secured against unauthorized, negligent or accidental switching on.


 Should the cable need to be shortened, ask a qualified technician (licensed electrician) to disconnect the cable, shorten it and reconnect it, detail instructions can be found in the chapter **Cable shortening**. The same applies to lengthening the cable, however a new, longer cable needs to be purchased separately. Lasvit shall not be held liable for any injuries or damage to the fixture or other property caused by unauthorised manipulation with the cable or its parts.


 To retain quality of hand-blown glass, Lasvit recommends to clean the glass at least every 3 months.


 Fixing material is not part of the lighting fixture kit. Refer to the relevant section of this manual for suitable fixing materials and components.


 Proper fixing shall be the responsibility of the customer.

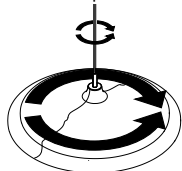
 Installation and electrical wiring should be carried out by a qualified electrician to prevent any damage to health or property.


 The manufacturer shall not be held liable for any defects caused by unqualified handling of the lighting fixture.

 This lighting fixture is to be mounted on fire proof surfaces.

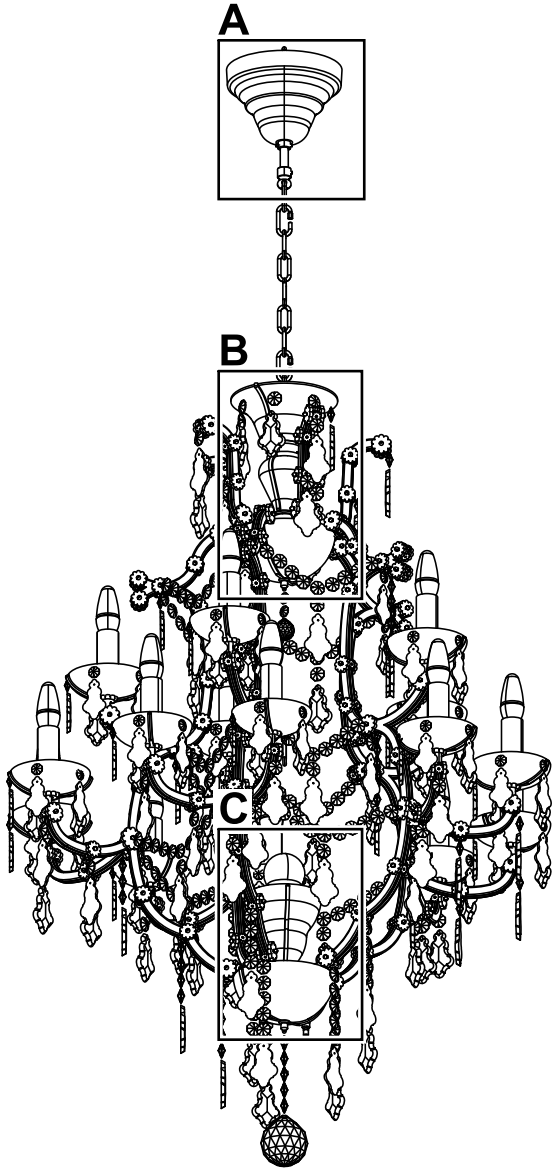
 Do not cover the lighting fixture with any material, it is necessary for the hot parts to be cooled by freely flowing air, otherwise there is a risk of fire.

 Do not spin the pendant ! Spinning the pendant may result in breaking of the suspension cable and/or electrical malfunction!



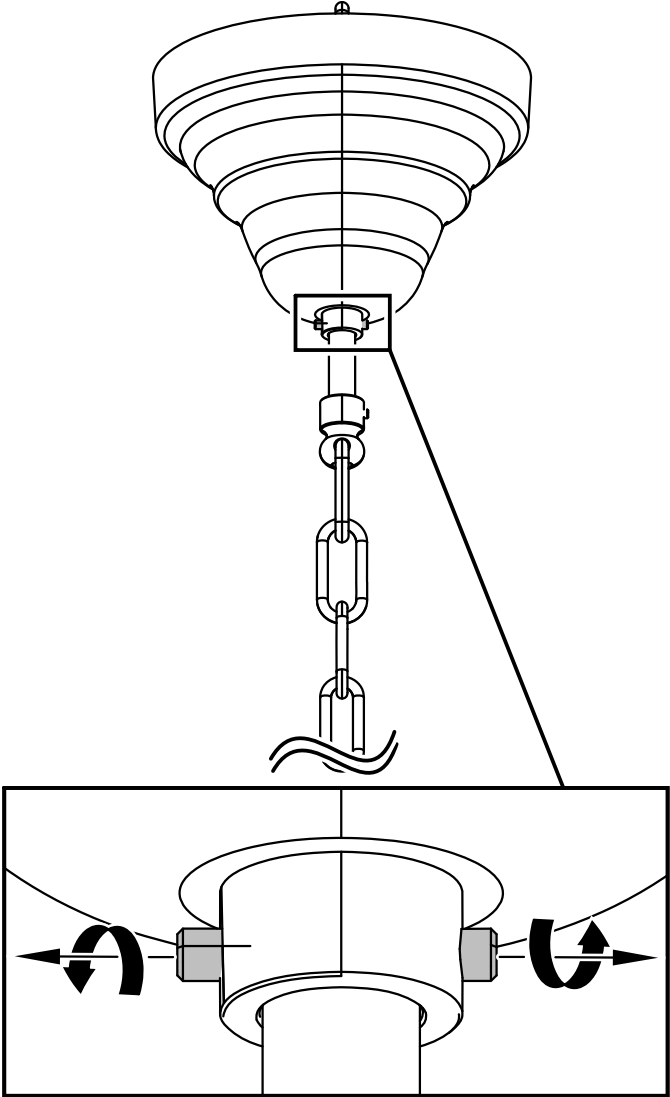
 For indoor use only. Installation requires 2 persons.

3/ Fixture segments A, B, C

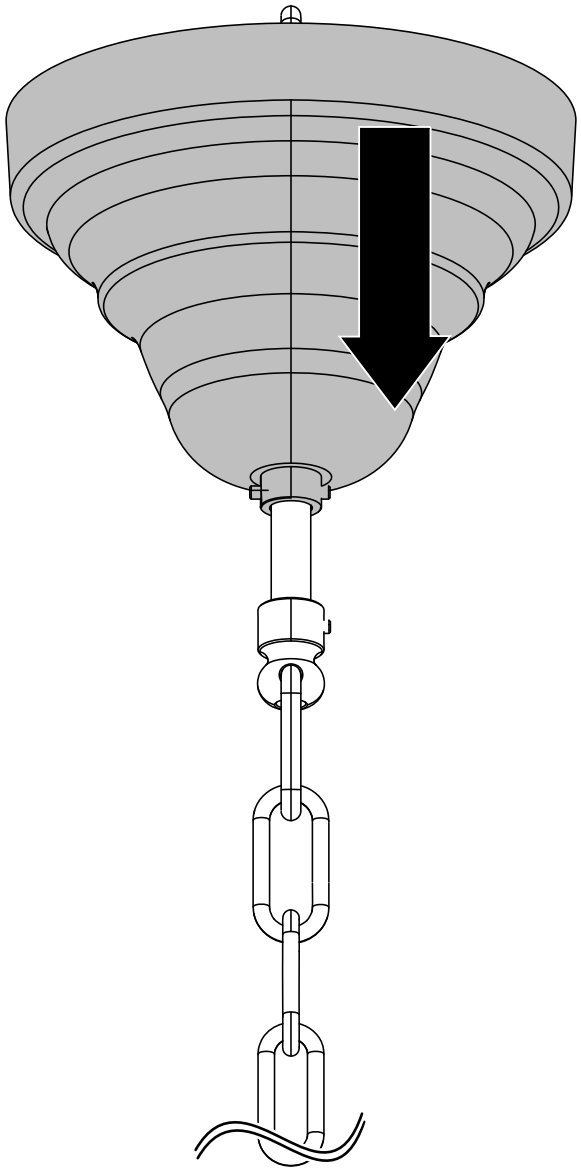


4/ Canopy disassembly A

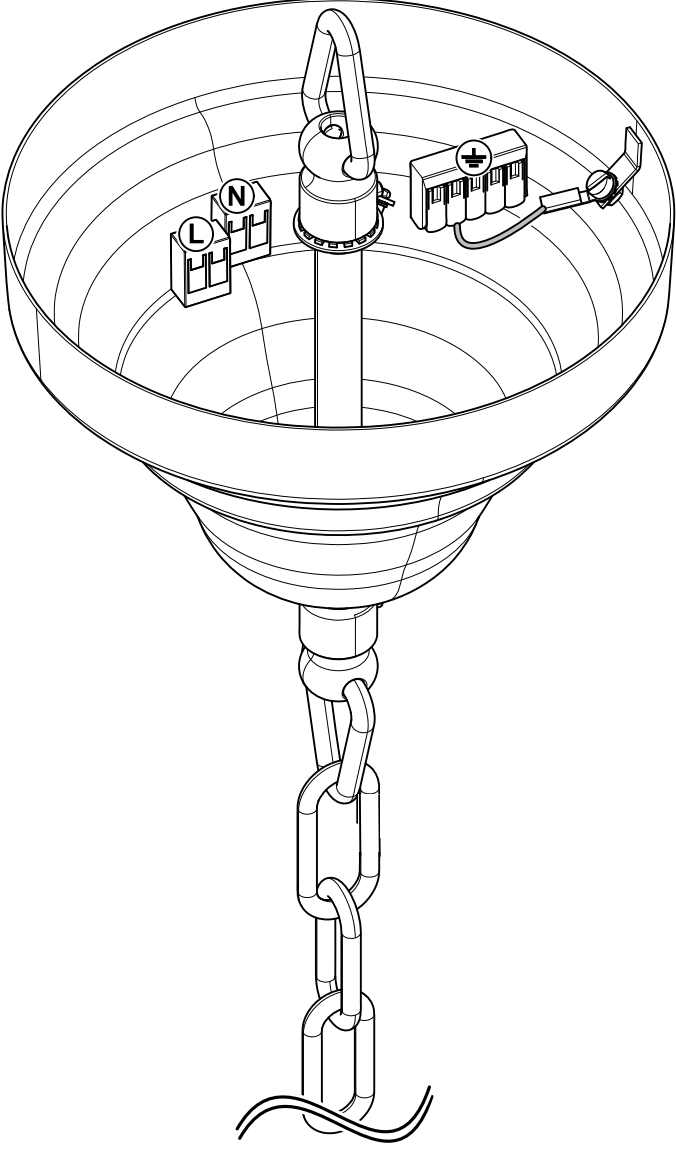
Step 1



Step 2

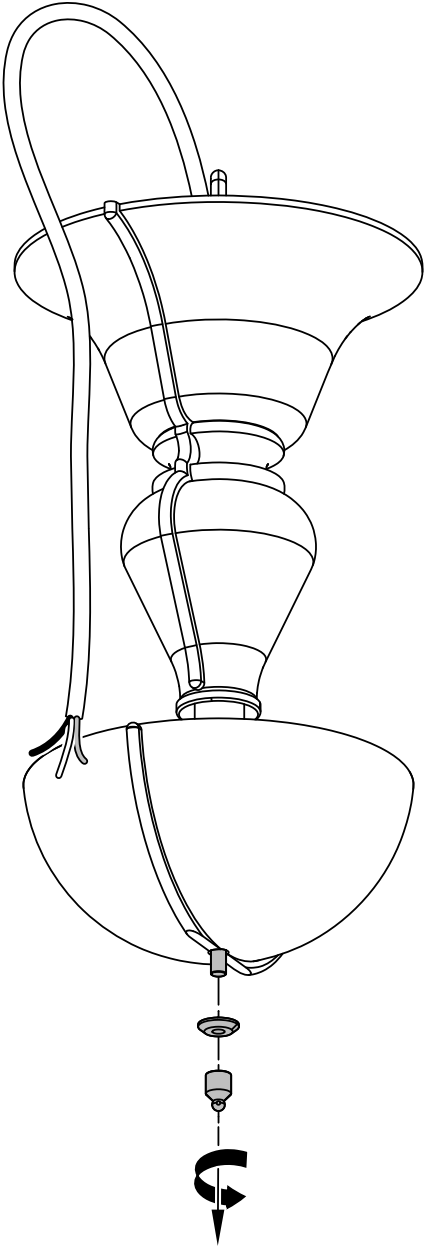


Step 3

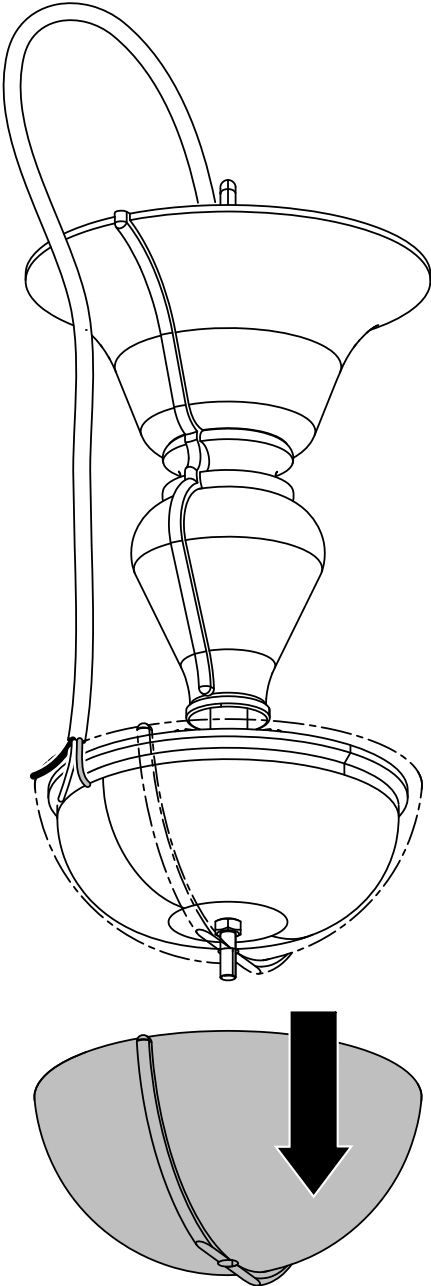


5/ Canopy disassembly B

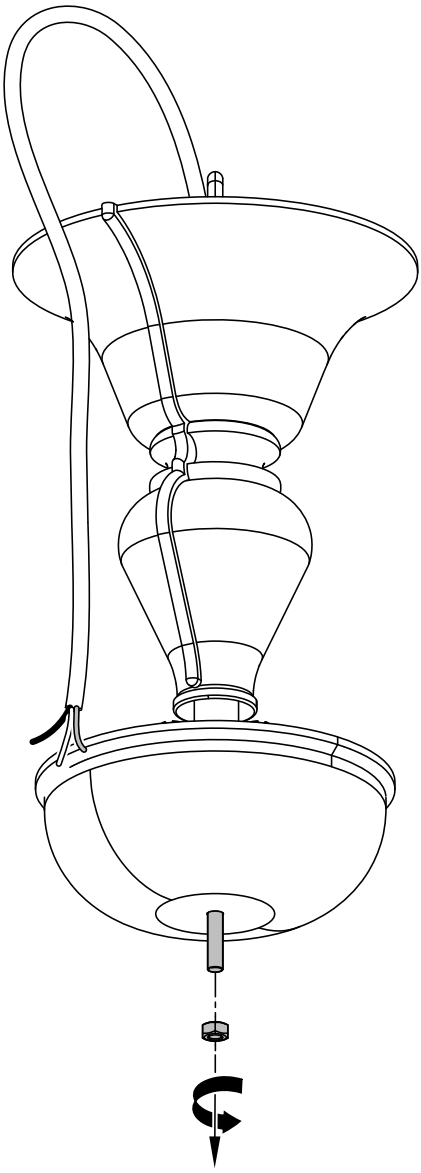
Step 4



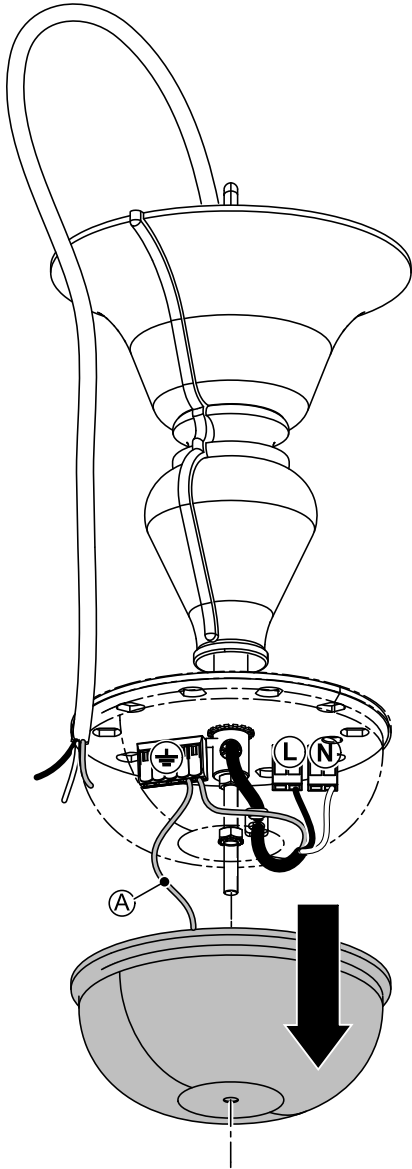
Step 5



Step 6




Step 7



6/ Fixing

Fixing material is not included.

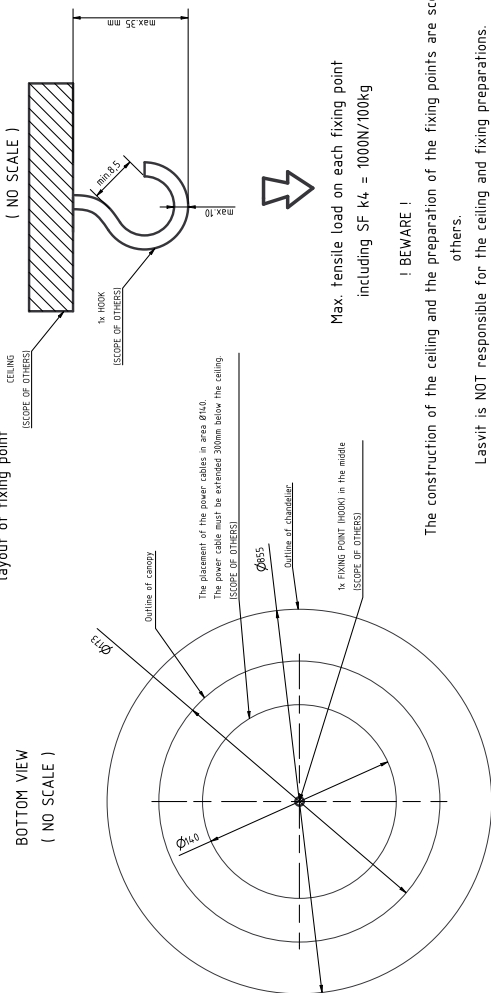
 Lasvit shall not be held liable for any injuries or damage to the fixture or other property caused during installation or by improper fixing. Consulting a specialist before choosing type of fixing materials and procedures for a given fixture is highly recommended.

Pictures shown are for illustration purposes only.

CL024SA-1CE EMPRESS SMALL

6.1/ Threaded rods

layout of fixing point

BOTTOM VIEW
(NO SCALE)

Max. tensile load on each fixing point
including SF k4 = 1000N/100Kg

! BEWARE !

The construction of the ceiling and the preparation of the fixing points are scope of others.

Lasvit is NOT responsible for the ceiling and fixing preparations.

Drawing is only for customer view it is NOT a fixing manual.

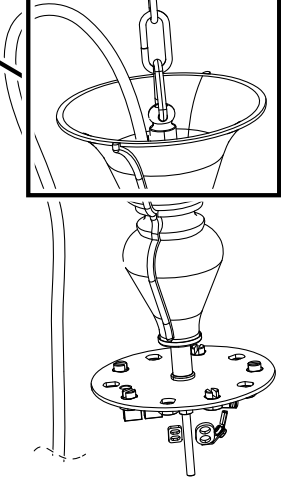
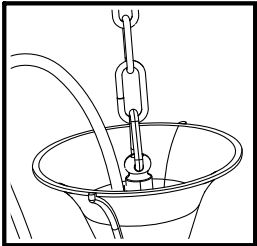
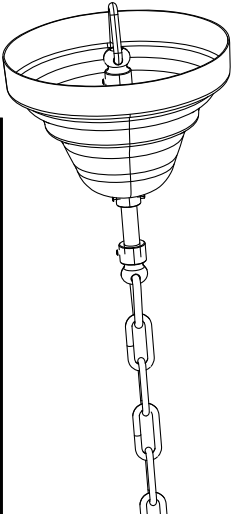
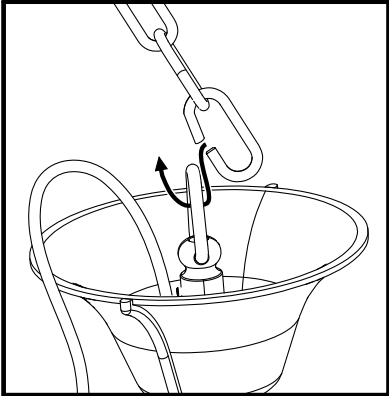
The customer is responsible for correct dimensioning of the ceiling and fixing points.
Lasvit only suggests a possible solution.

Fixing material is not part of the lighting fixture kit.

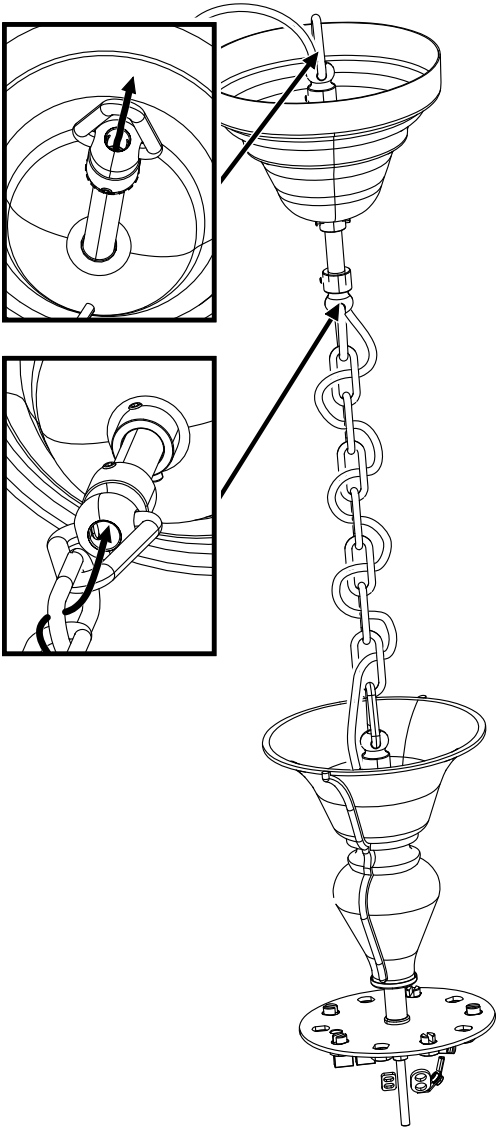
Consult a specialist before choosing type of fixing materials and procedures for a given fixture.

7/ Canopy assembly A+B

Step 8

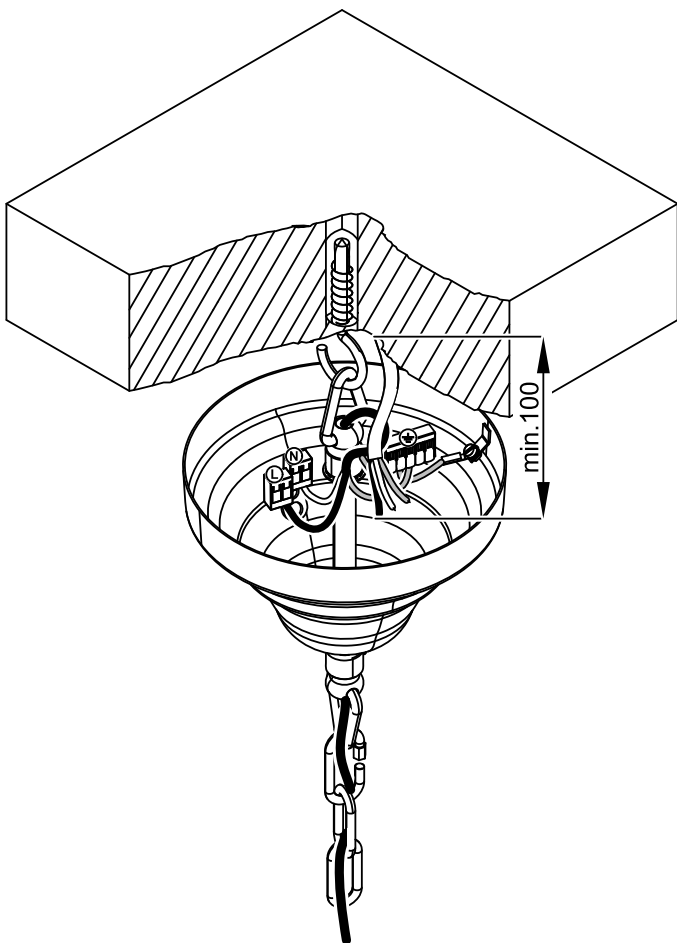


Step 9

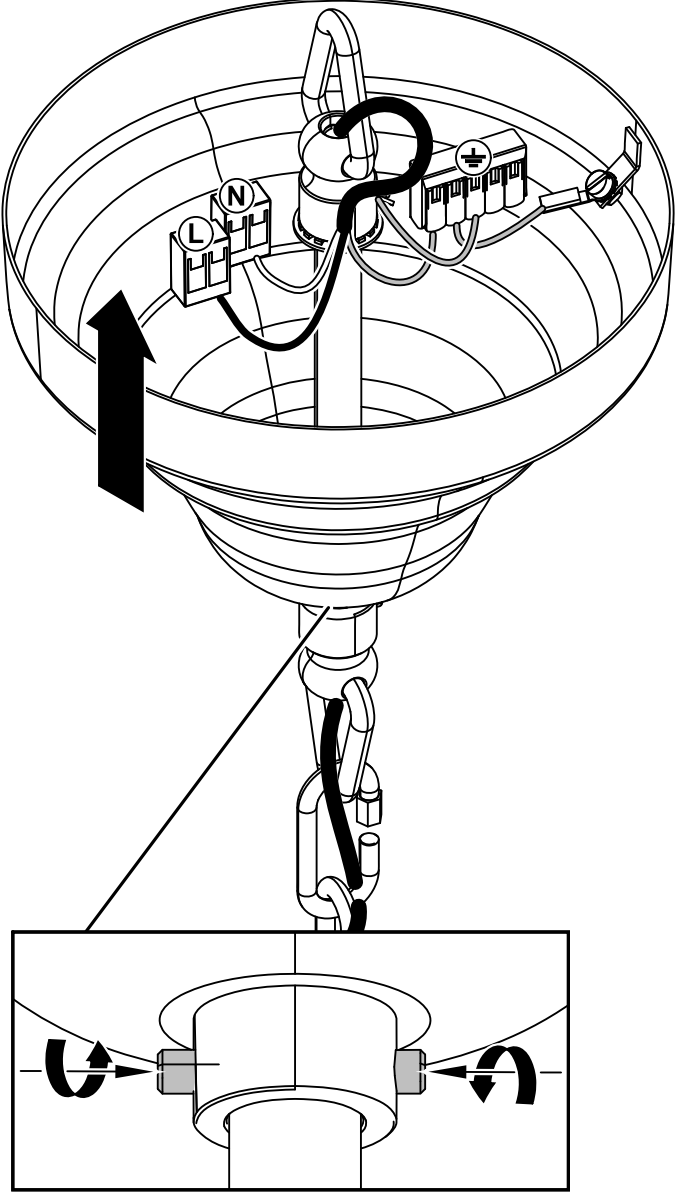


8/ Canopy assembly A

Step 10

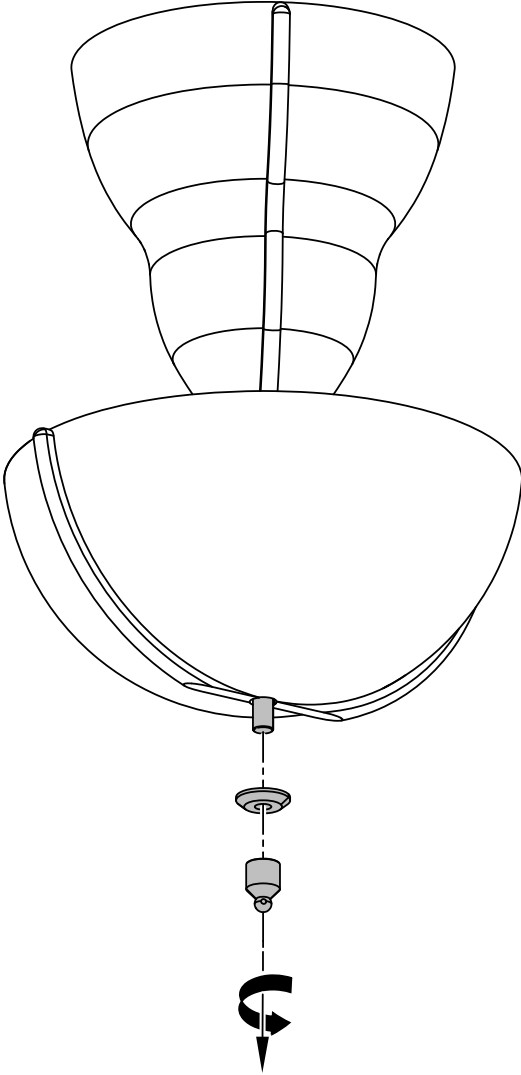


Step 11

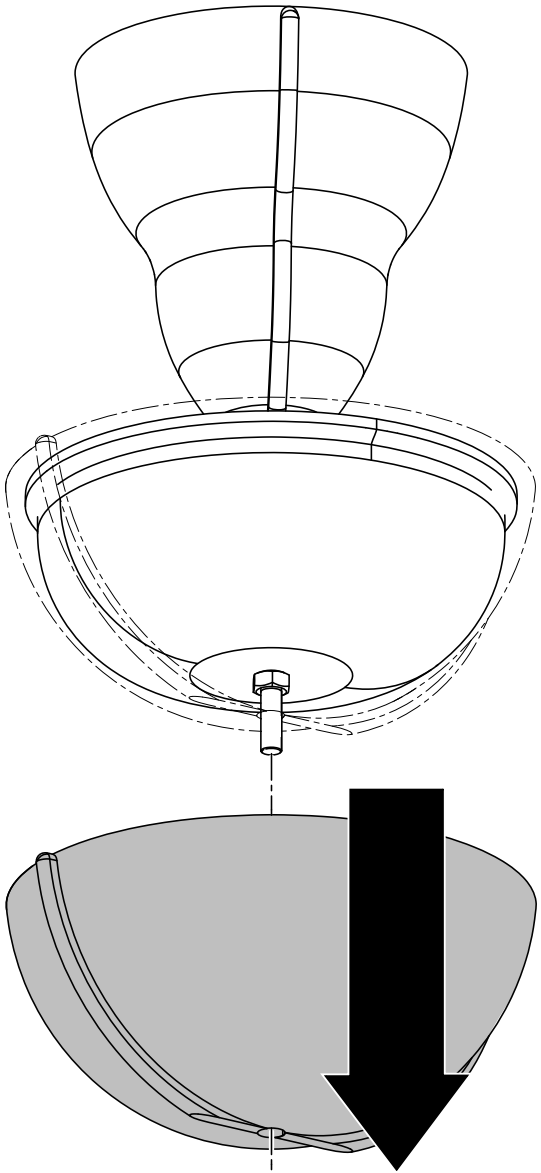


9/ Canopy disassembly C

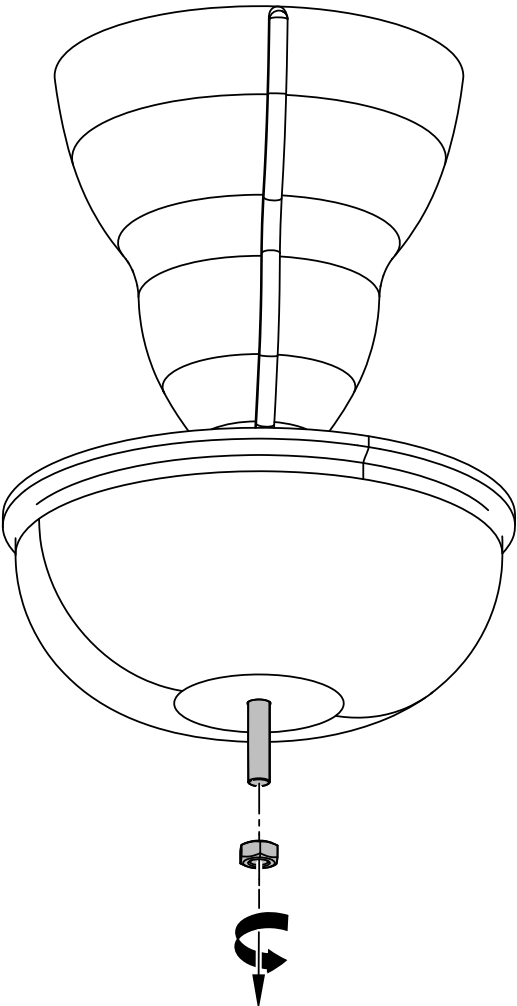
Step 12



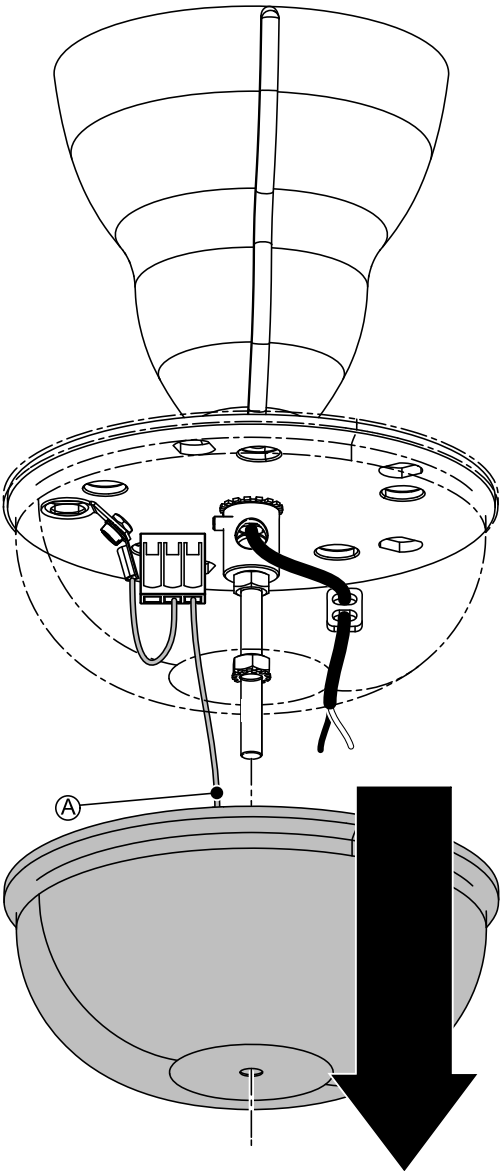
Step 13



Step 14



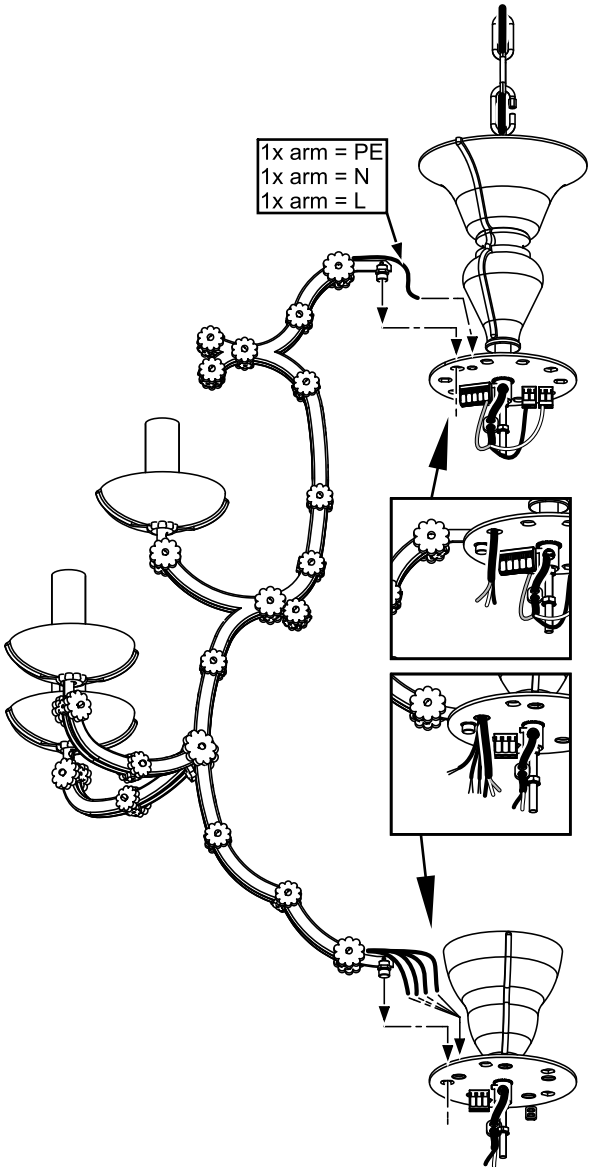
Step 15



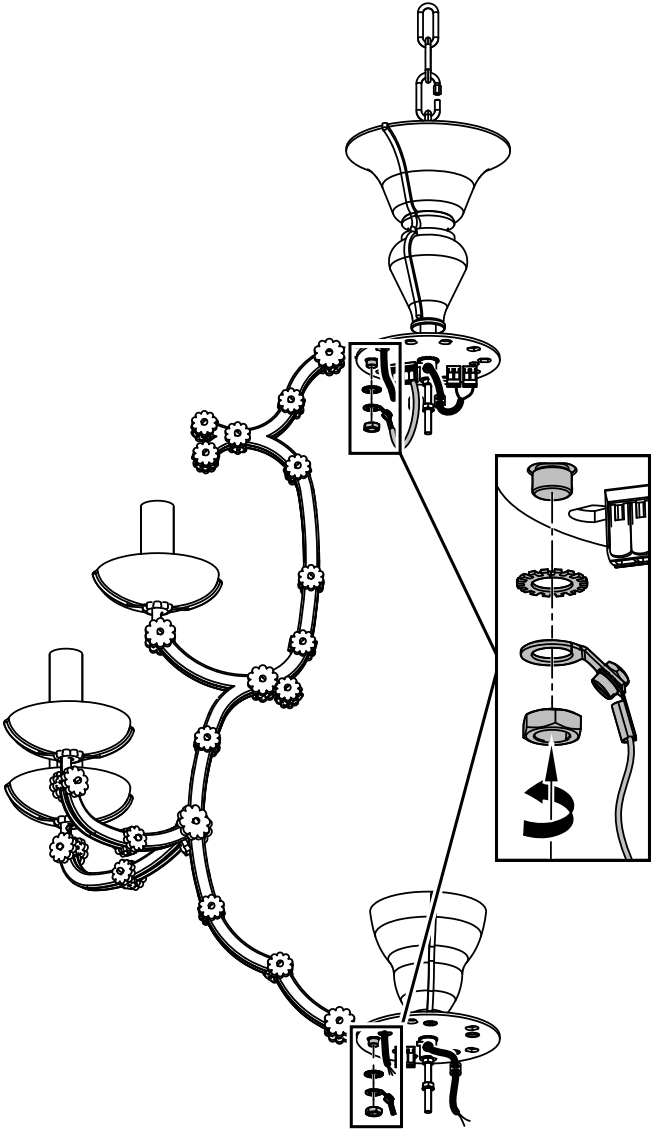
10/ Arms installation 1

Step 16

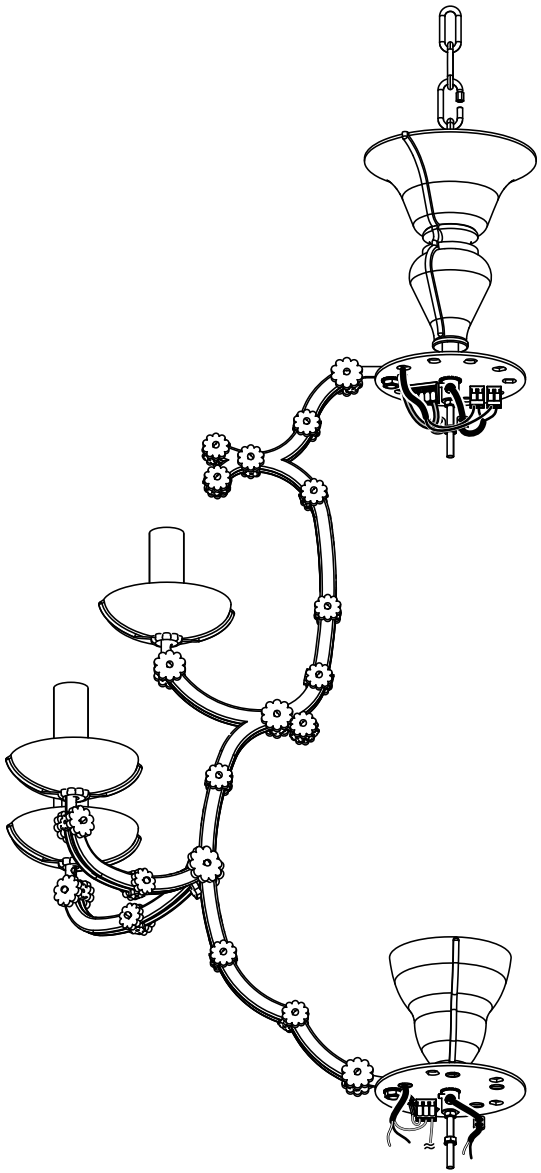
3 x arms



Step 17



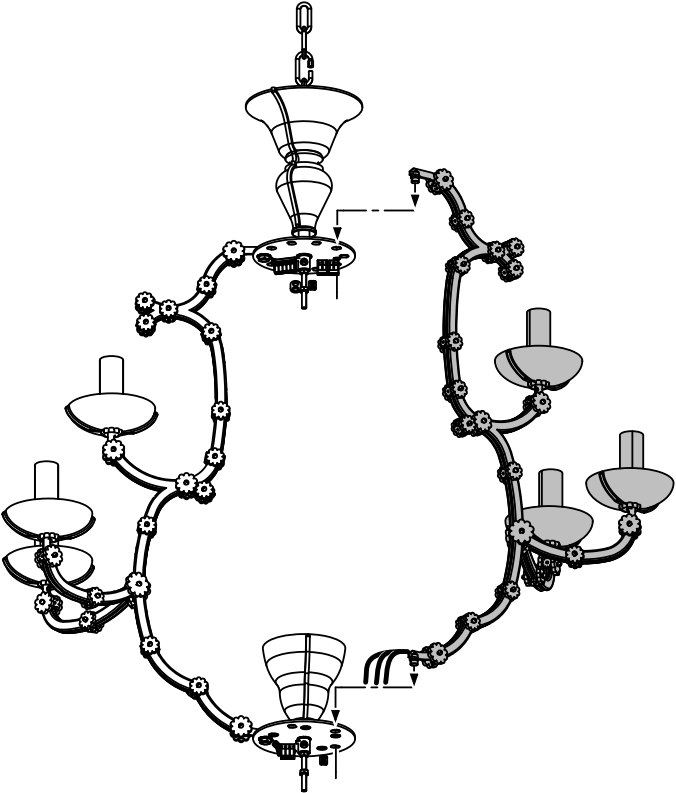
Step 18



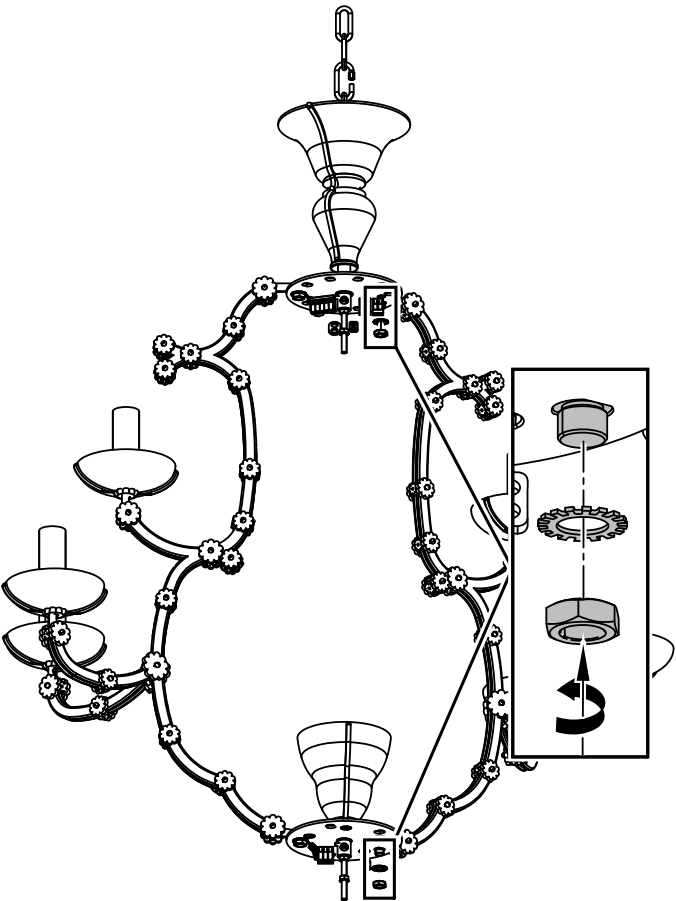
11/ Arms installation 2

Step 19

7 x arms

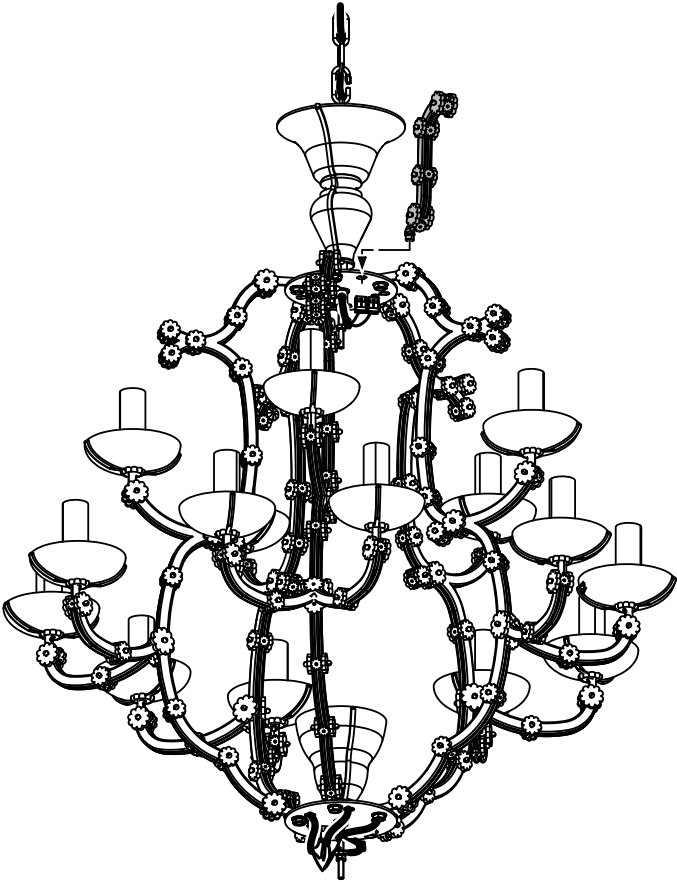


Step 20

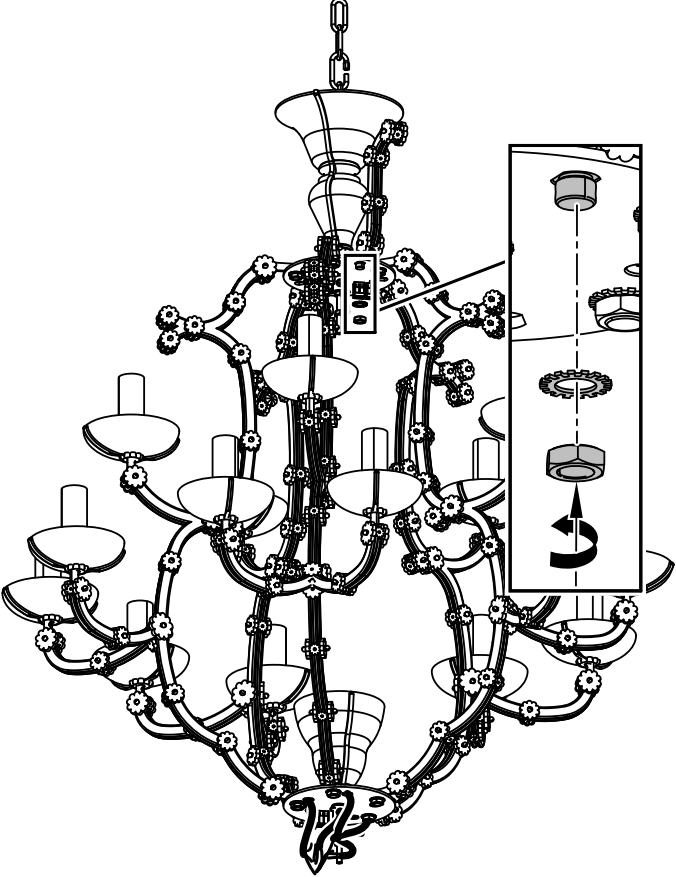


12/ Installation of upper arms

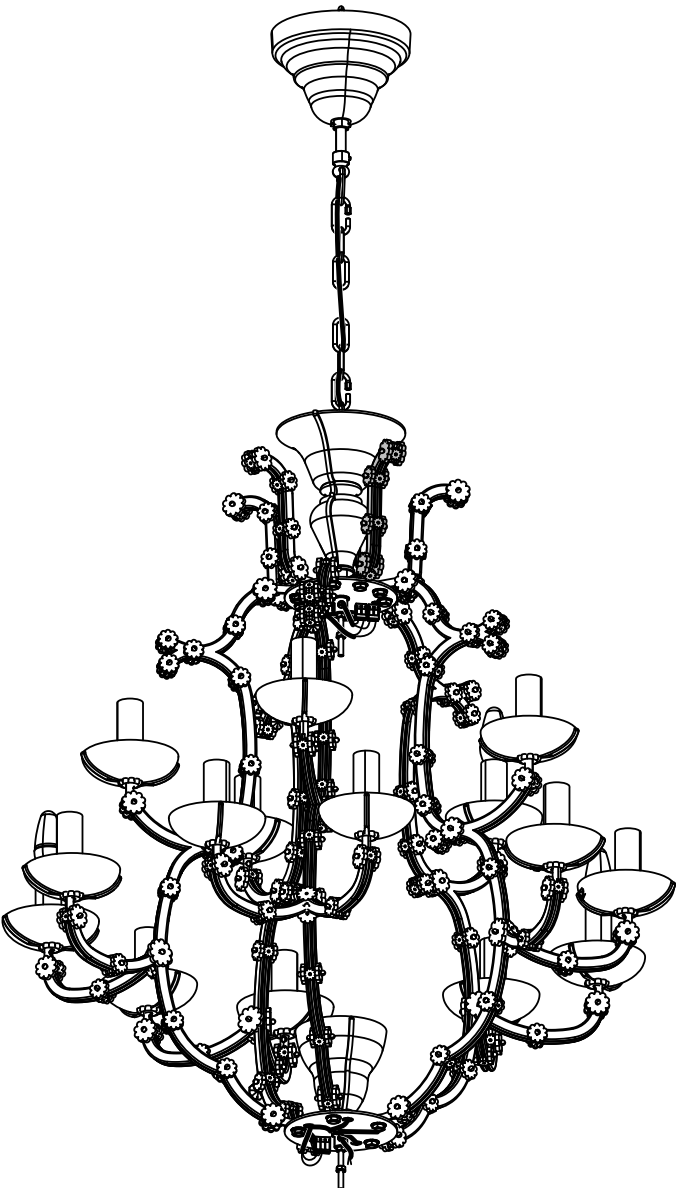
Step 21



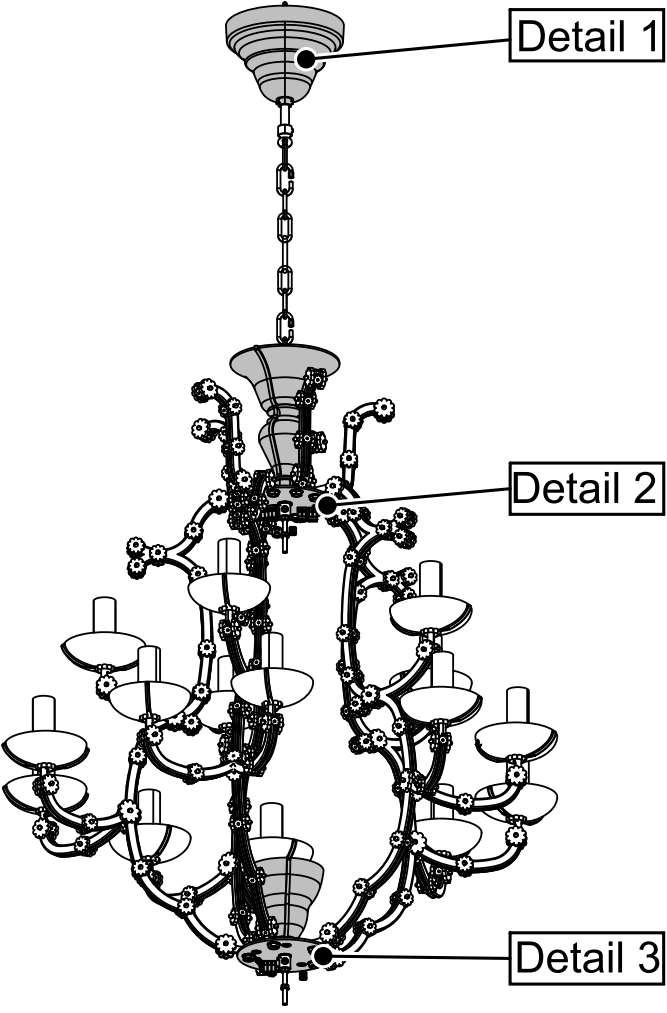
Step 22



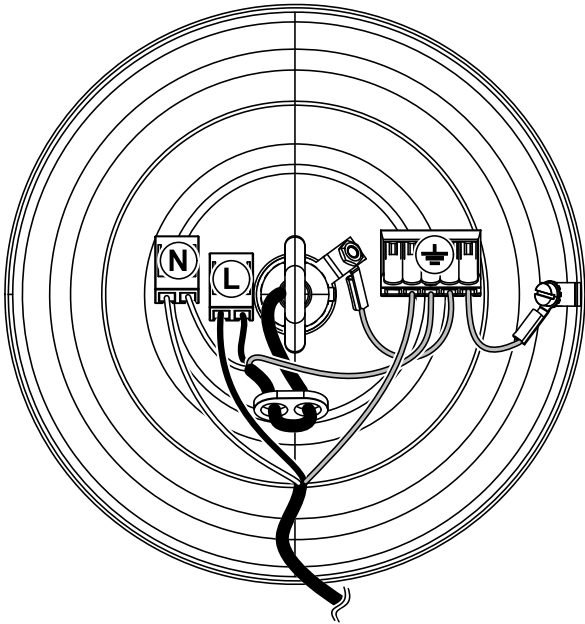
Step 23



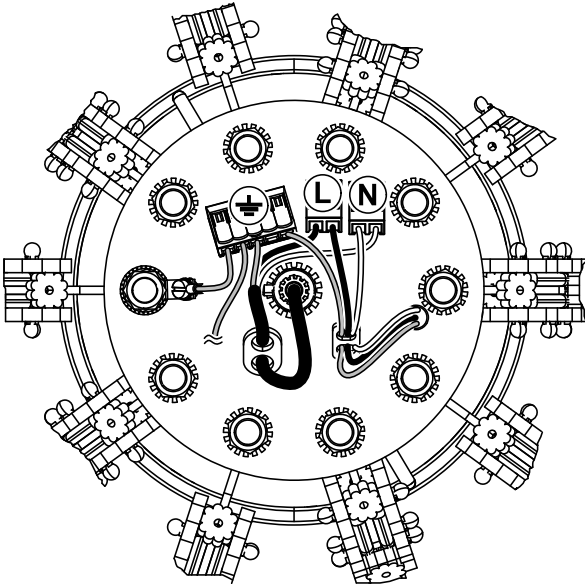
13/ Electrical wiring



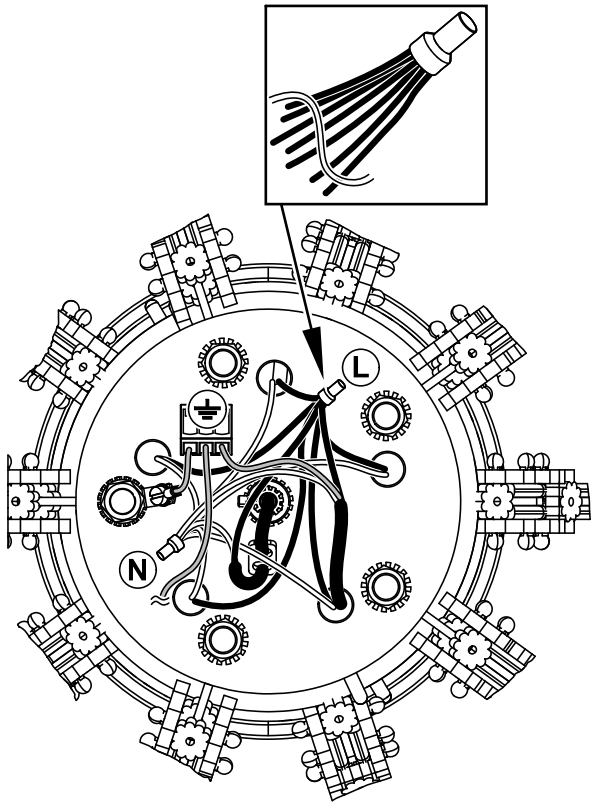
Detail 1



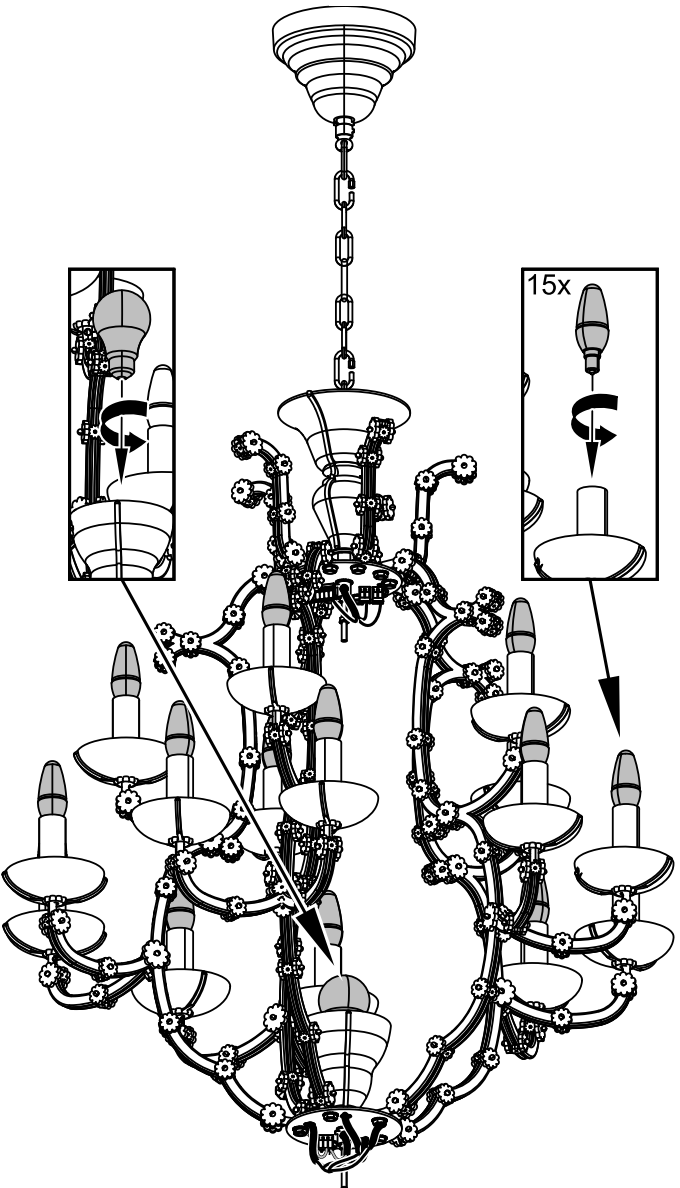
Detail 2



Detail 3



Detail 24

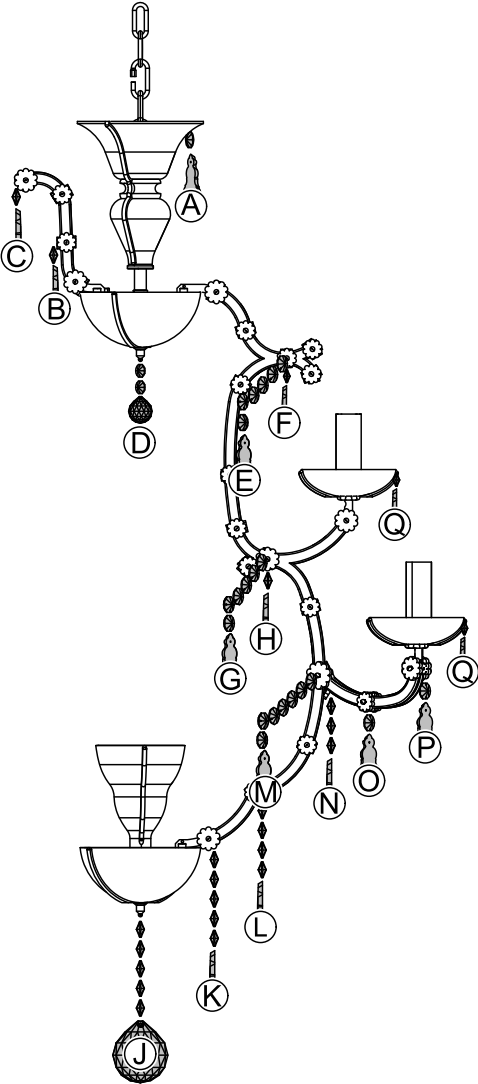


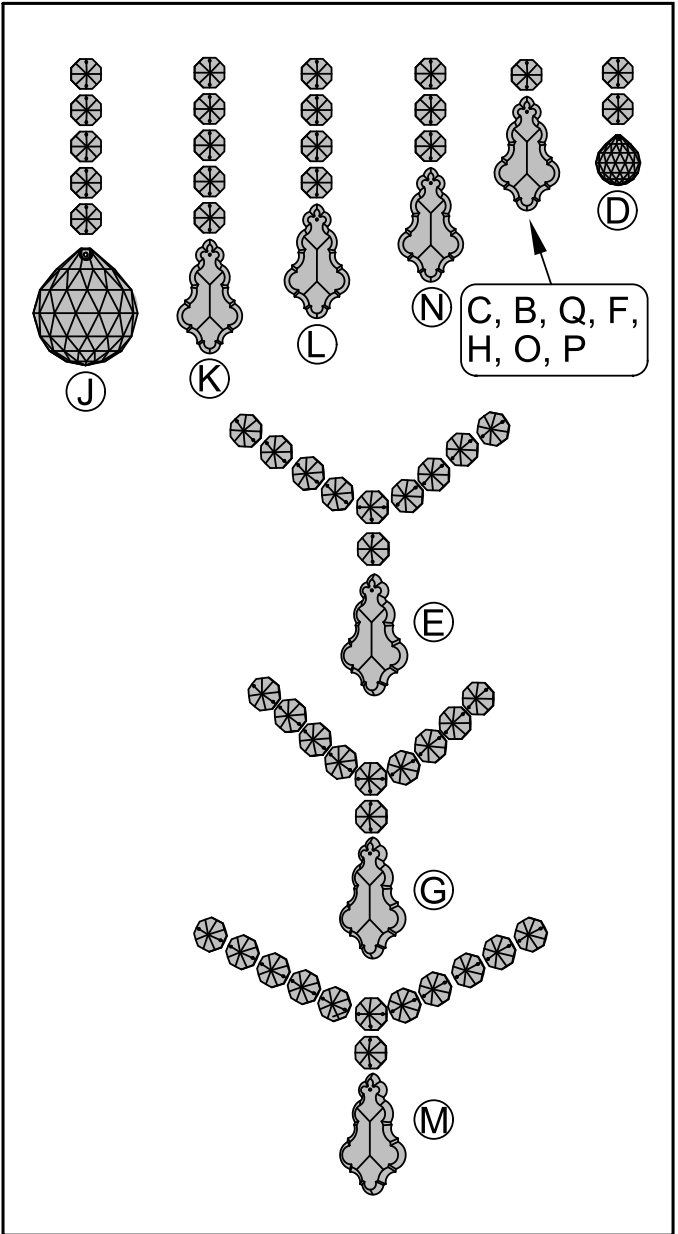
14/ Canopy assembly B+C

Carry out this step in reverse to canopy assembly. Detail instructions can be found in the chapter 5, 9.

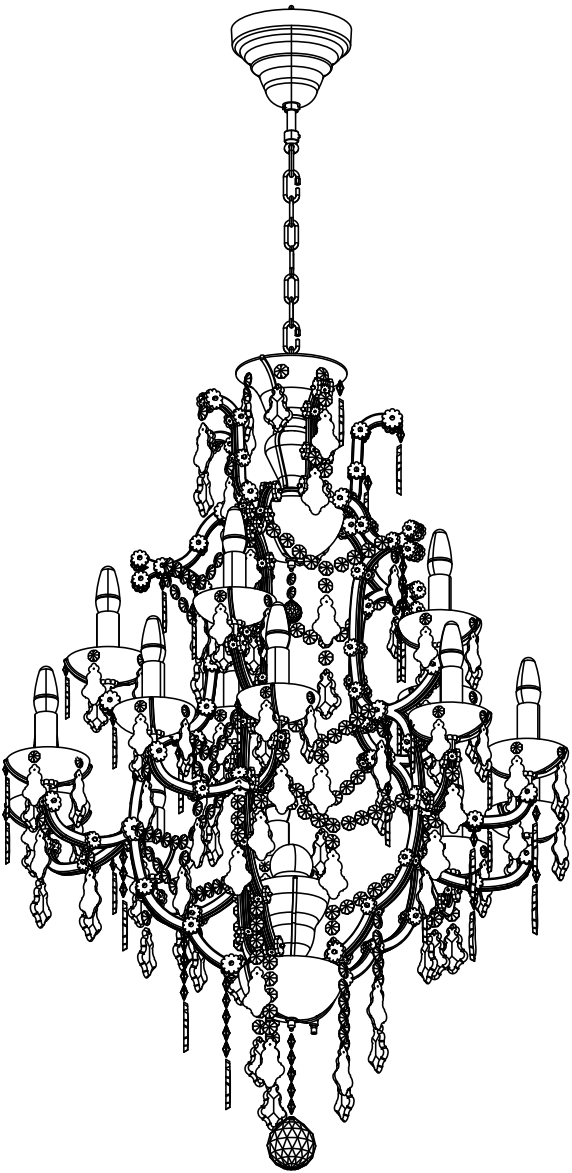
15/ Pressed glass trimmings

Detail 25





Detail 27



16/ Light source replacement

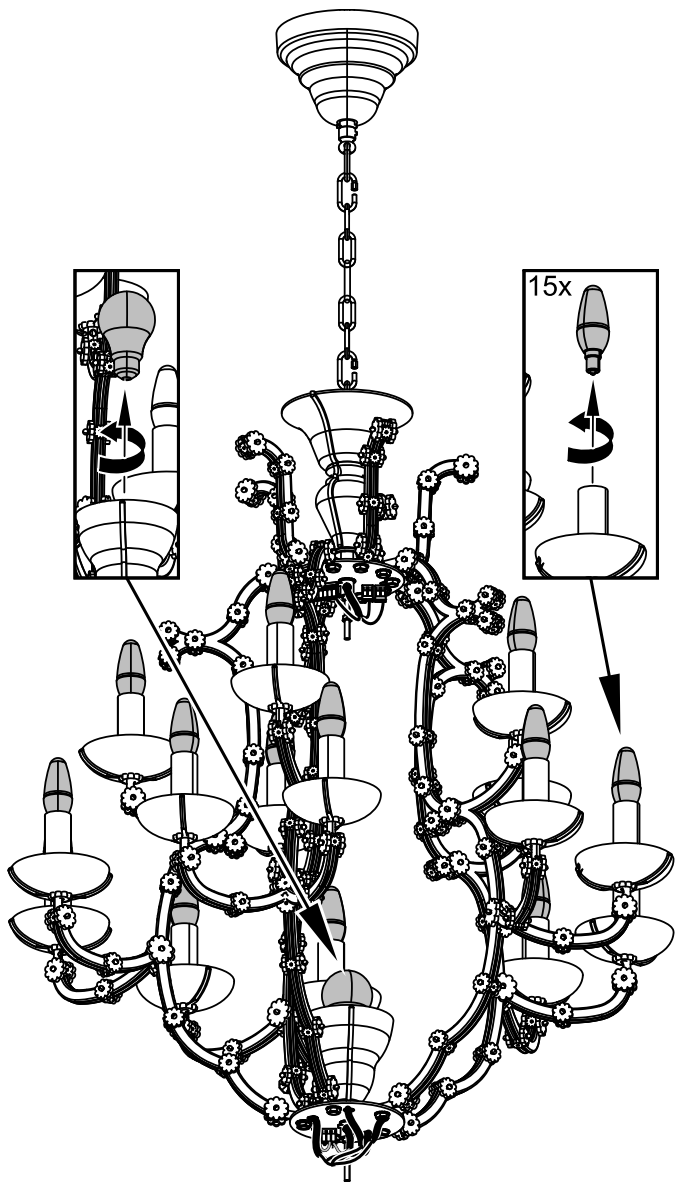
All light sources can be supplied by the manufacturer, Lasvit s.r.o.

Replacement of the bulb should be carried out by qualified technician to prevent damage to health or property.

Lasvit provides NO warranty on bulbs and is not responsible for any damage or injury caused during its installation or during its operation.

Before starting installation make sure the power to the lighting fixture is switched OFF and secured against unauthorized, negligent or accidental switching on.

The manufacturer shall not be held responsible for injuries, damage to the fixture and/ or other property when other than specified light source type and/ or rating is used.





Carry out this step in reverse to fit the new bulb.

Plug in the light again.

17/ Installation notes

17.1/ Cable shortening

 This adjustment can be carried out only by a qualified electrician (trained electrician).

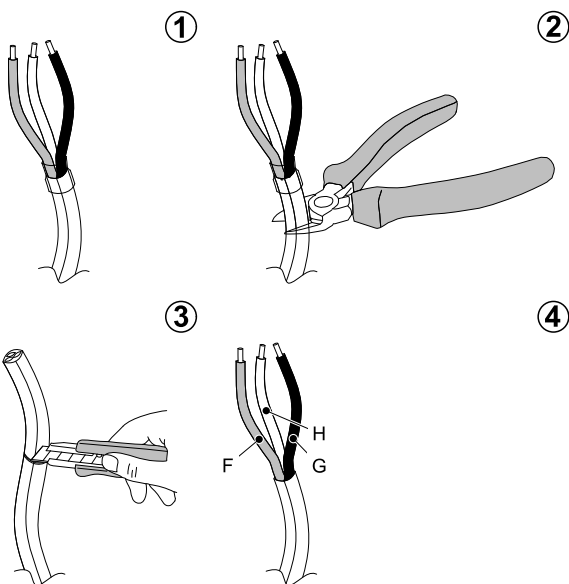
 Perform the cable adjustment according to valid standards.

Picture 1: Adjusted cable from the manufacturer (LASVIT).

Picture 2: Shortening the cable to the desired length.

Picture 3: Remove only the top insulation. The basic insulation of the conductor must not be broken.

Picture 4: Final adjustment of the cable for its connection. Additional insulation (positions F, G, H), stripped ends of wires with tubes.



18/ Warranties and Warranty Terms and Conditions

1/ The warranty is defined in the Price Quotation, Price Agreement, Contract, or Order. If the Price Quote, contract, or order is not issued, the warranty does not apply to resources, maintenance, service and cleaning and the standard warranty on the goods is set for 2 years. Other agreed warranties must be specified in the Price Quotation, Price Agreement, Contract, or Order.

2/ As a basis for the claim, the customer must provide a valid contract, invoice, or other proof of payment. Otherwise, the manufacturer reserves the right to refuse to provide a warranty, so keep the proof of product purchase carefully.

3/ If the warranty applies to the defect found, the customer informs the seller by e-mail, telephone, or the Sales department of the manufacturer (Lasvit) and passes the required information (project number or light number, project or light name and describes the defect).

4/ The Sales Department proceeds on the basis of an internal customer complaint resolution directive.

5/ The manufacturer will analyse the occurrence of a disagreement with the customer or with the manufacturer after delivery of the non-conforming product to the manufacturer's premises.

6/ Once the analysis has been made, the Sales department is handed over the decision to accept or reject the complaint with an explanation.

7/ The Sales department agrees with the customer for further steps (e.g. repair or replacement date, etc. on the basis of customer and manufacturer possibilities). Unless otherwise agreed, the manufacturer is obliged to remove the defect within 30 days of the claim date at the manufacturer's expense.

8/ The warranty does not apply to:

- defects caused by the customer
- defects caused by a third party
- defects caused by regular usage
- defects caused by an installation contrary to the installation manual
- defects caused by inappropriate attachment or product connection
- defects caused by performed in contradiction with the cleaning manual

- defects caused by the use of other than defined light sources
- defects caused by installation in premises that do not correspond to the nature of the light and its IP cover (intrusion protection).
- defects caused by force majeure

9/ The company LASVIT has the exclusive right to grant, deny or change the terms and conditions for the provision of warranty services.



Never dispose of this product in mixed municipal waste, it must be submitted at the designated disposal installation.

The fixture was designed and manufactured by /
Lasvit s.r.o. / Komunardů 32 / 170 00 Praha 7 /
Czech Republic T +420 481 120 810 / F +420 481 120 622 /
E lasvit@lasvit.com lasvit.com

Manual created

29.5.2018

In case you need any assistance or have
any suggestion, please contact us at

lasvit.com