

# mdf italia



© COPYRIGHT 2023 MDF ITALIA SRL SOCIETA' UNIPERSONALE

2017

## AXY

Designed by Claudio Bellini

Lightness combined with dynamic perception of suspension is the theme developed by the design of the new table system Axy. A basic architecture in which the original design of the two structural bridges, entirely made of aluminium, recomposes the tensions and strength lines with expressive efficacy.

A thin top completes the table, conveying an overall aerial impression underpinned by reassuring stability.

Available in various configurations, with a wide choice of materials and finishes Axy naturally adapts to a broad range of interpretations both for indoor and outdoor use, from the dining-table to the working desk.

Rectangular tables available in 15 sizes and various depths, height 73 cm, in the types and configurations: Axy and Axy Comfort.

## FRAME

Fixed bearing frame made of extruded aluminium painted in matt graphite grey.

For all types of die-cast and extruded aluminium bridge legs, available in the version painted in white, matt graphite grey, bronze and matt black nickel.

## TOPS

Tops are available in the materials: Fenix, oak and ceramic. Thickness 12 mm.

## ACCESSORIES

The tables, in the version Axy Comfort D120 L240/260/280/300 with tops in Fenix and Wood, are available in the version with electrified profile.

A series of adaptors with different types of sockets and functions can be hooked to the electrified profile. The electrified profile and its components and adaptors are always available in the finish matt black.

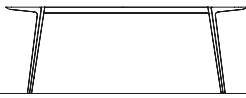
## OUTDOOR USE

The table with ceramic tops are also suitable for outdoor use.

**Abacus**

Axy

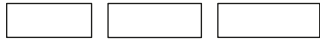
---



H73

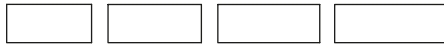
---

**D80**



200      220      240

**D90**



200      220      240      260

---

Axy Comfort

---



H73

---

**D90**



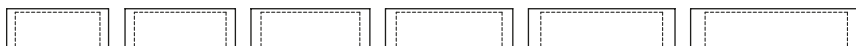
240      260      280

**D100**



240      260      280      300      340      400

**D120**

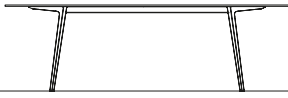


240      260      280      300      340      400

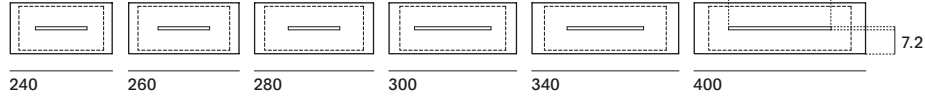
Axy Comfort electrified

Length of the electrified profile (X)  
 in relation to the size of the top:  
 L240, L260, L280 = L120 cm  
 L300, L340 = L180 cm  
 L400 = L240 cm

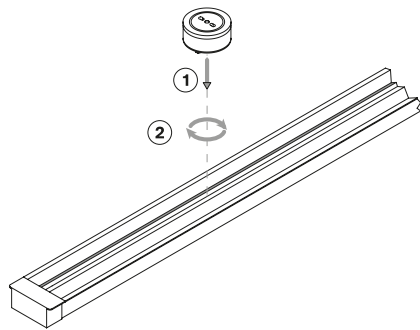
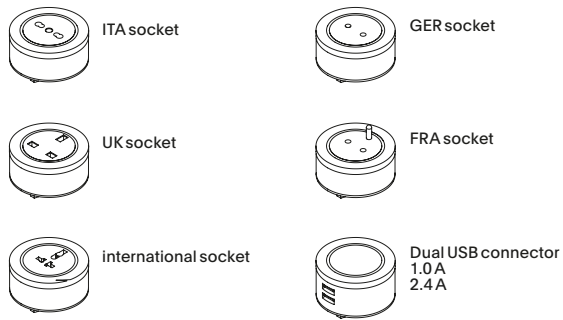
H73



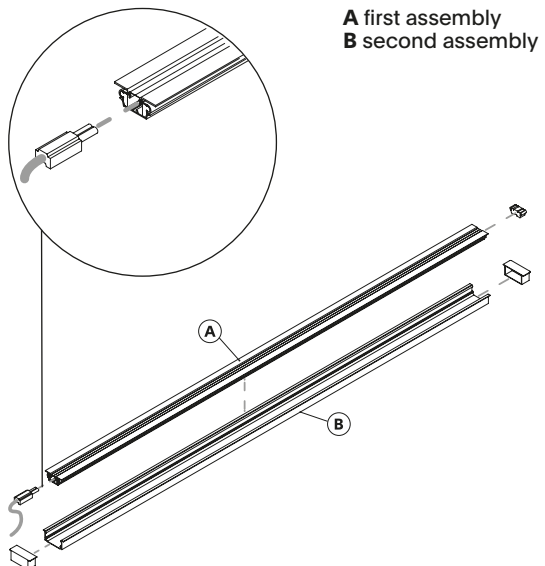
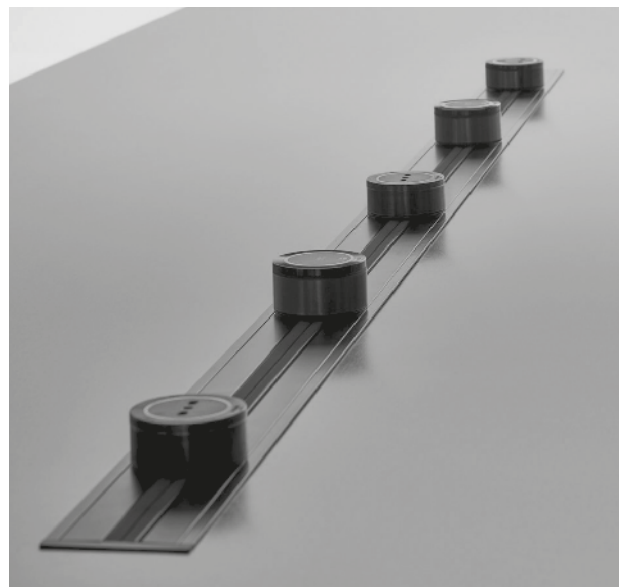
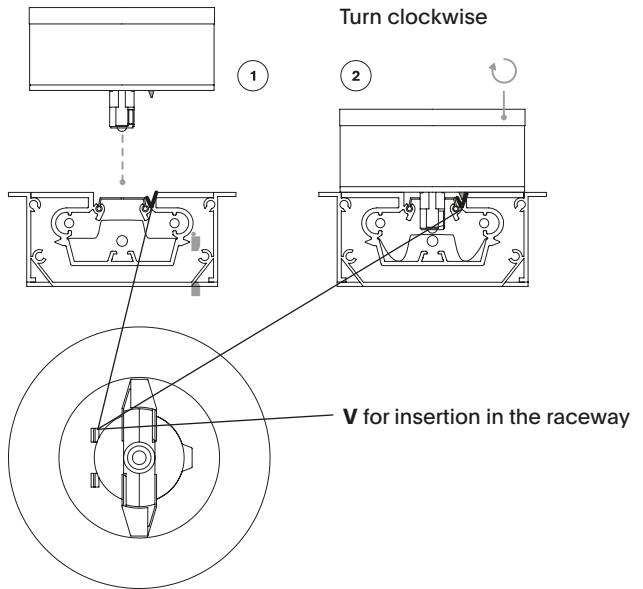
D120



Sockets



Raceways assembly details with electrified profile



# Finishing

The number in the dot corresponds to the number of colour/material finish.

Here below, in the section FINISH OPTIONS, please note all the colours of the materials used for this product.

## TABLE

---

### Top



Fenix



Oak



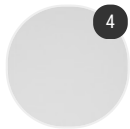
Calce



Stone

---

### Structure



Matt painted

# Finish options

## TOP

---

### Fenix



Fenix matt  
white X020



Fenix matt  
medium grey  
X021



Fenix matt  
black X022

### Oak



Light oak  
X095



Mocha oak  
X096



Anthracite  
oak X097

### Calce



Light grey  
calce



Black calce

### Stone

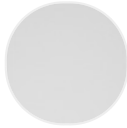


Medium grey  
pietra di  
Savoia

## STRUCTURE

---

Matt painted



Matt painted white X053



Matt painted graphite grey X054



matt bronze paint X100



matt black nickel paint X101