

DENGLONG P GR IN

by Neri&Hu, 2016

Floor lamp. Anthracite lacquered aluminium structure and steel mesh. Top disc in gold lacquered aluminium. Fiberglass diffuser. Architectural concrete base, black or grey. Led module included.

Type: Floor lamp

Environment: Indoor

Structure: Aluminium and steel mesh

Diffuser: Fiberglass

Voltage: 120 V


Supply: Electrical cord with plug

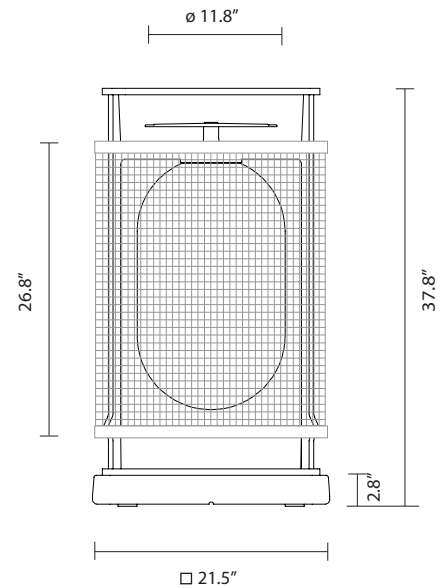
Cable length: 78.7"

Light source: LED module 14W 2700K 1400Lm
Included

DENGLONG P GR IN

314030640974 anthracite, grey base

 48 kg
52 kg



□ IP-20