

DENGLONG P PE IN

by Neri&Hu, 2016

Floor lamp. Anthracite lacquered aluminium structure and steel mesh. Top disc in gold lacquered aluminium. Fiberglass diffuser. Architectural concrete grey base. Switch placed in electrical cord. Led module included.

Type: Floor lamp

Environment: Indoor

Structure: Aluminium and steel mesh

Diffuser: Fiberglass

Voltage: 230 V

Supply: Electrical cord with plug

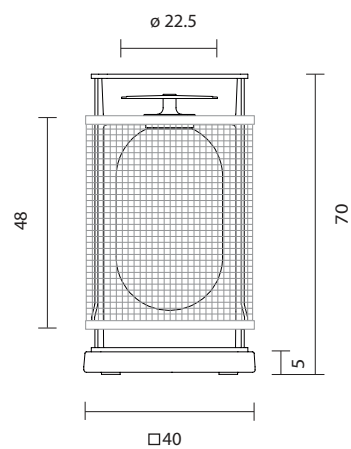
Cable length: 200 cm

Light source: LED module 8W 2700K 800Lm
included

DENGLONG P PE IN

313000640974 anthracite, grey base

 21 kg
25 kg



CE  IP-20