

# DENGLONG T PE OUT

by Neri&Hu, 2016

Suspension lamp. Anthracite lacquered aluminium structure and steel mesh. Top disc in gold lacquered aluminium. Fiberglass diffuser. Led module included and dimmable with phase-cut dimmers.

Type: Suspension lamp

Environment: Outdoor

Structure: Aluminium and steel mesh

Diffuser: Fiberglass

Voltage: 120 V

Supply: Terminal strip

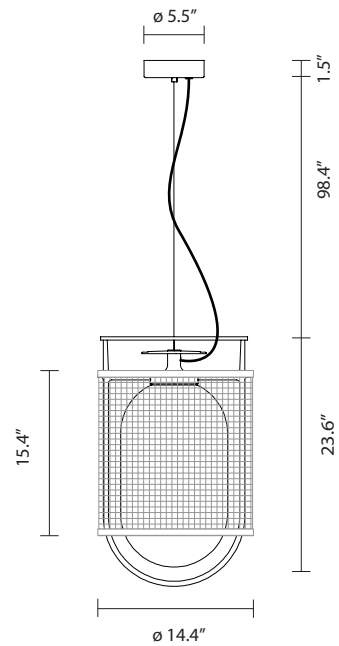
Cable length: 98.4"



Light source: LED module 8W 2700K 800Lm  
Included

DENGLONG T PE OUT

501030600020 anthracite

 6 kg  
8 kg



  IP-65