

HALO CIRCULAR

Design by Martín Azúa.

VIBIA
LIGHT IS CREATION

Reference

2332.

Application

Hanging lamps

Description

HALO is a hanging lamp with three circular pieces, which creates subtle, magical lighting. Designed by Martín Azúa, it is available in matt white lacquer.

Diffuser

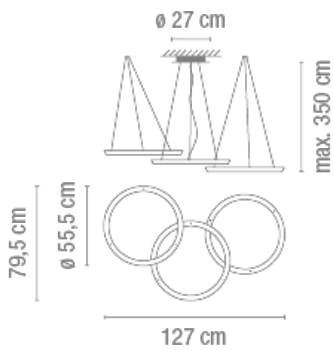
PMMA

Finish



2332-03.
Matt white
lacquer

Sketch



Electrical characteristics

3 x LED STRIP 24V 26W

Total 78 W



Physical characteristics

1 Box / 0.36 x 0.65 x 0.65 m. / Vol. 0.1521 m³ /
Gross weight 14.8 kg. / Net weight 8.8 kg.

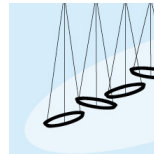
Installation and assembly

Follow instructions of the installation guide

Light distribution

General lighting

Lamp for general lighting that equally distributes the light in all directions.



Photometric data

Efficiency : 100.00%

Coordinate system : C-G

Total flux : 3731.85 lm

Maximum value : 141.85 cd/klm

Light position : C=200.00 G=60.00

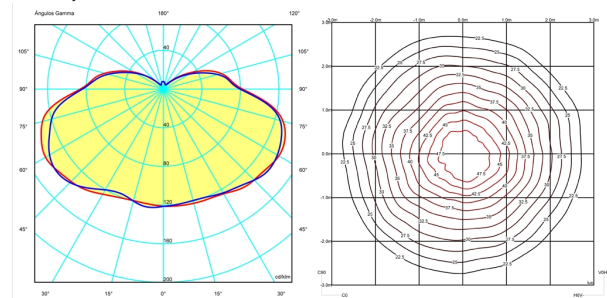
Double symmetrical : 2

Isolux : Isolux (Suelo)

Light position :

X=0.00m Y=0.00m Z=3.00m

Light rotation :



Certificates

