

# HALO CIRCULAR

Design by Martín Azúa.

**VIBIA**  
LIGHT IS CREATION

## Reference

**2333.**

## Application

Hanging lamps

## Description

HALO is a hanging lamp with circular pieces, which creates subtle, magical lighting. Designed by Martín Azúa, it is available in matt white lacquer.

## Diffuser

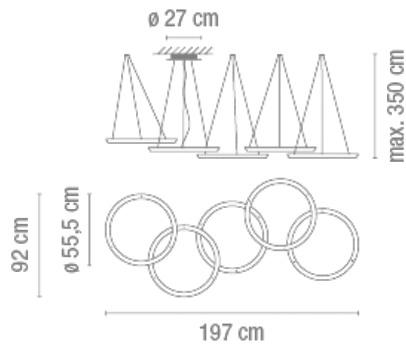
PMMA

## Finish



**2333-03.**  
Matt white  
lacquer

## Sketch



## Electrical characteristics

5 x LED STRIP 24V 26W

Total 130 W



## Physical characteristics

1 Box / 0.60 x 0.65 x 0.65 m. / Vol. 0.2535 m<sup>3</sup> /  
Gross weight 23.8 kg. / Net weight 13.8 kg.

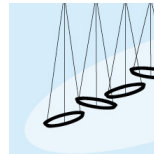
## Installation and assembly

Follow instructions of the installation guide

## Light distribution

### General lighting

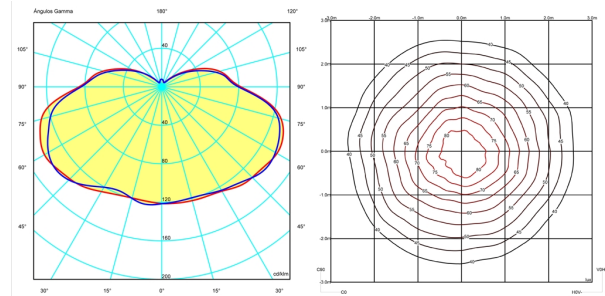
Lamp for general lighting that equally distributes the light in all directions.



## Photometric data

Efficiency : 100.00%  
Coordinate system : C-G  
Total flux : 6219.75 lm  
Maximum value : 141.85 cd/klm  
Light position : C=200.00 G=60.00  
Double symmetrical : 2

Isolux : Isolux (Suelo)  
Light position :  
X=0.00m Y=0.00m Z=3.00m  
Light rotation :



## Certificates

